

# PO8-W SERIES: WAFER TYPE SOFT SEATED BUTTERFLY VALVE

## DESCRIPTION

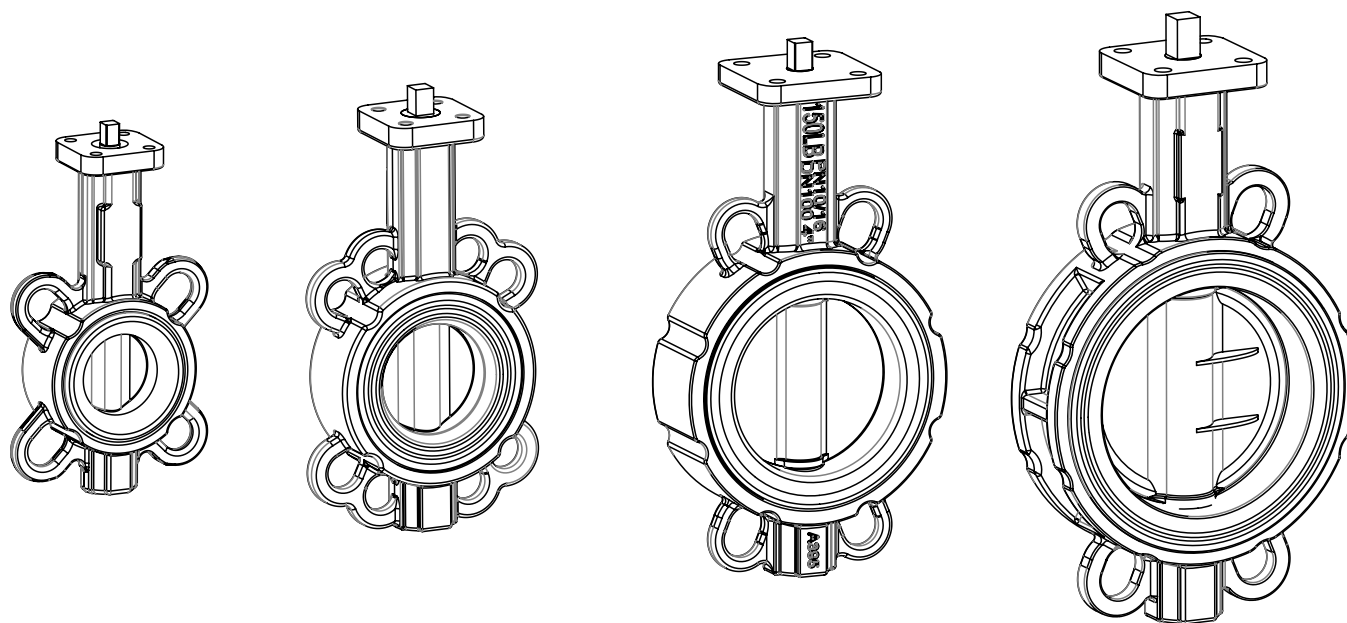
The wafer type soft seated butterfly valve is simple in structure, small in size, light in weight, and has few components on structure. Several key parts can build a butterfly valve, which is also very convenient to open. The butterfly valve can control the fluid very well, and can increase or reduce the flow at any time.

The wafer type soft seated butterfly valve has good versatility. It is installed by clamping between two flanges. The butterfly valve position is fixed through four universal connection holes. The wafer type butterfly valve has a wide range of versatility, and its valve body can be installed to the GB/JB/HG flange standard, ANSI/ASME flange standard, JIS flange standard and other uncommon or non-standard flange standards.

The butterfly valve can be controlled in many ways, such as handlever, gear operator, electric actuator, pneumatic actuator and hydraulic actuator. Multiple control requirements can be achieved in a variety of ways.

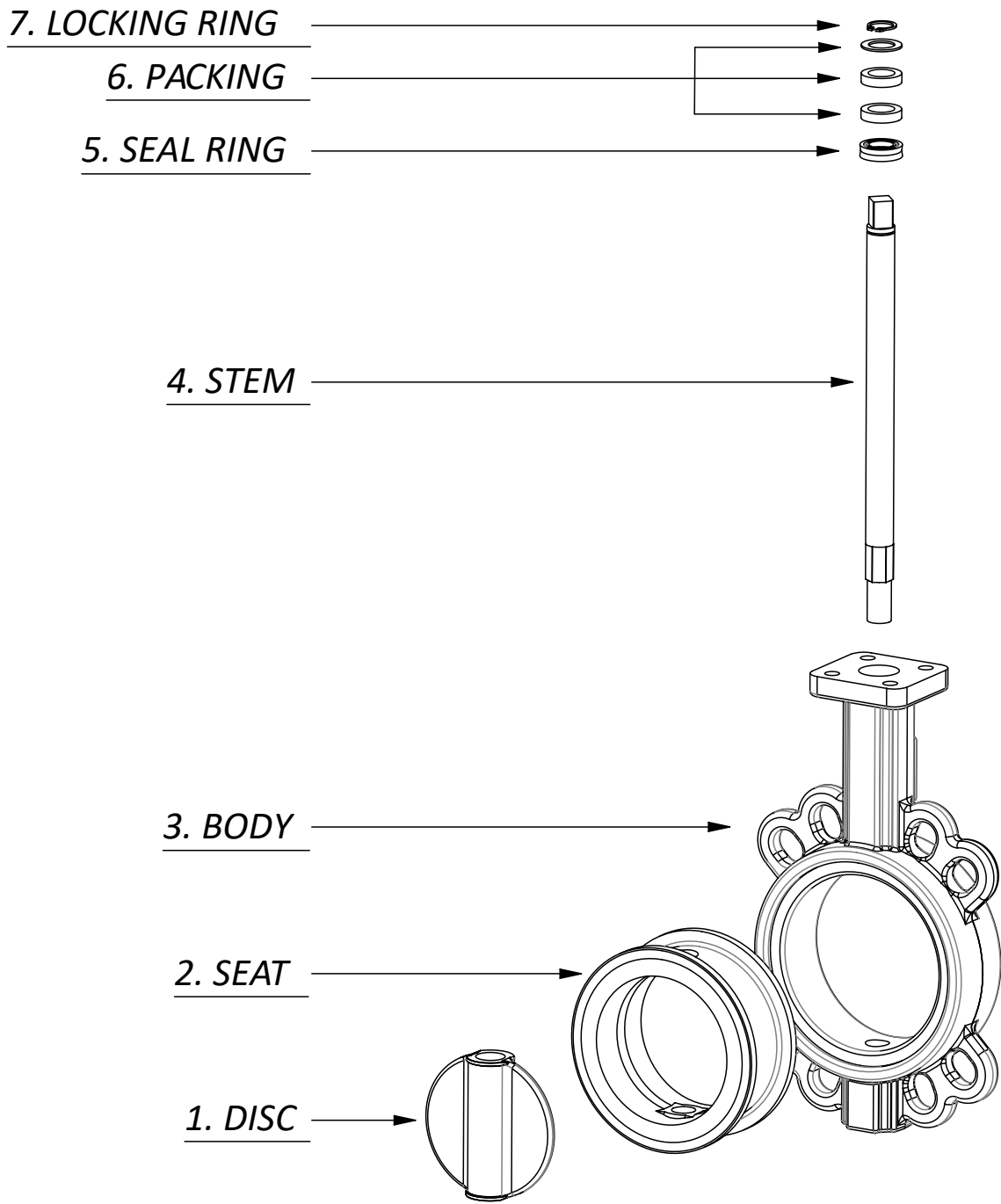
The wafer type soft seated butterfly valve has short face-to-face length, thin installation space requirements, light weight and high cost-effective, and can be used for switching and flow control of liquid, gas, powder and other media.

Soft seated butterfly valve also has a wide range of applications. If they are used to control the flow, different types and valve body sizes need to be selected, because butterfly valves are more suitable for some valves with larger diameters when they are designed. Butterfly valves are not only widely used in petroleum, gas, chemical, water treatment and other general industries, but also used in the cooling water system of thermal power plants.



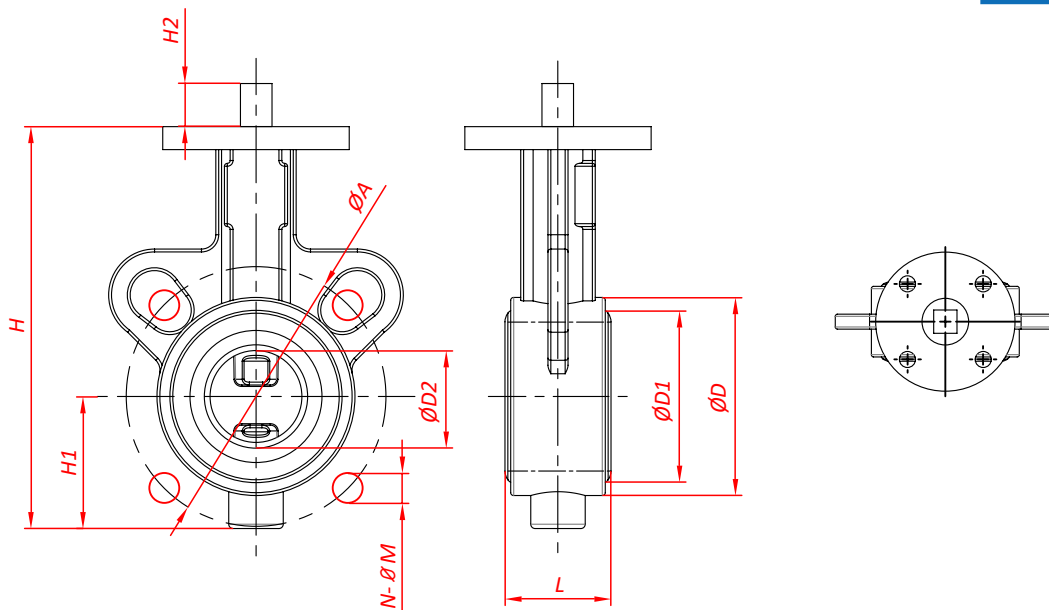
## TECHNICAL PARAMETERS

- Nominal Diameter : DN32 – DN1000
- Pressure Rating : PN1.0MPa、PN1.6MPa、Class 150LBs、JIS 5K, JIS 10K
- End Connection : Wafer Type
- Flange Standard : HG/T 20592、GB/T9113、JB/T78-79、EN 1092-1、ASME B16.5、ASME B16.47、DIN 2543-2545、JIS B2220
- Valve Structure : Concentric/Center-line Type
- Body Material : Ductile Cast Iron、WCB、CF8、CF8M、CF3M、Duplex 2205
- Disc Material: Ductile Cast Iron、A216 WCB、A351 CF8、A351 CF8M、A351 CF3M、Duplex S.S. 2507、Duplex S.S. 2205、Super S.S.-1.4529、B148-C95400、B148-C95800、Halar Coated、Nylon Coated、Rubber Coated、Others
- Seat Material : EPDM、NBR、PTFE、VITON、HYPALON、POLYURETHANE、SILICON RUBBER、HIGH-TEMPERATURE EPDM、WEAR-RESISTANCE EPDM
- Stem material: SS410、SS420、SS304、SS316、etc.
- Applicable Medium : Water、Liquid、Gas、Oil、Powder、Steam、Acid and Alkali corrosive medium
- Mounting for Actuation : ISO 5211 Direct Mounting Pad
- Functional Safety Certificate : SIL 3 as per IEC 61508 Parts 1-2 and 4-7:2010
- Operation: Handlever、Worm gear、Pneumatic actuator、Electric actuator、Hydraulic actuator
- Leakage Class : Zero Leakage
- Optional accessories: Solenoid valve、Limit switch box、Positioner、Air filter regulator、handwheel、etc.

**MAIN PARTS STRUCTURE AND MATERIAL**


Part Number	Part Name	DI Type	WCB Type	CF8 Type	CF8M Type	CF3M Type	2205 Type
1	DISC	Ductile Cast Iron, A216 WCB, A351 CF8, A351 CF8M, A351 CF3M, Duplex S.S. 2507, Duplex S.S. 2205, Super S.S.-1.4529, B148-C95400, B148-C95800, Halar Coated, Rubber Coated, Nylon Coated and so on.					
2	SEAT	EPDM, NBR, PTFE, VITON, HYPALON, POLYURETHANE, SILICON RUBBER, HIGH-TEMPERATURE EPDM, WEAR-RESISTANCE EPDM and so on.					
3	BODY	Ductile Iron	WCB	CF8/SS304	CF8M/SS316	CF3M/SS316L	Dup. S.S. 2205
4	STEM	SS410, SS420, SS304, SS316 and so on.					
5	SEAL RING	NBR					
6	PACKING	PTFE					
7	LOCKING RING	65Mn					

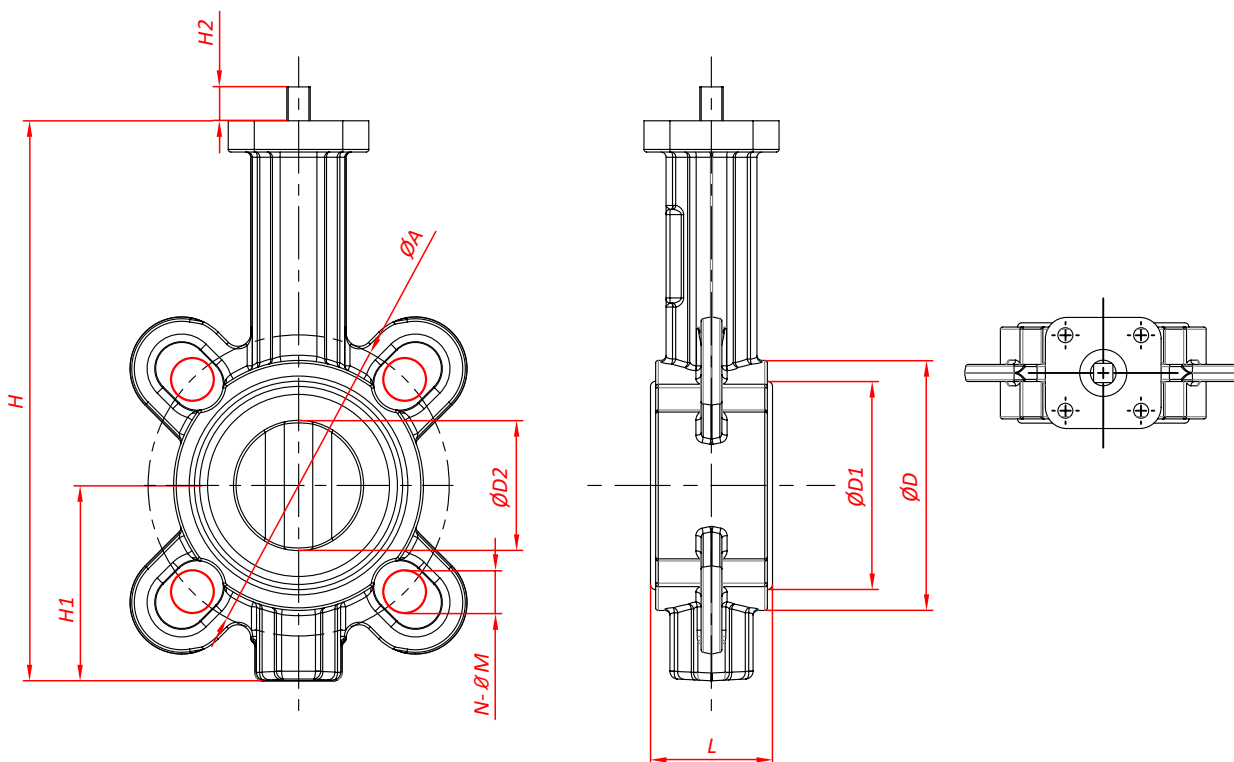
## DIMENSIONS OF BARE SHAFT WAFER TYPE BUTTERFLY VALVE



**SIZE DN25-DN40**

### DIMENSIONS OF BARE SHAFT WAFER TYPE BUTTERFLY VALVE IN SIZE DN25-DN40

Size	L	GB standard (PN10)		GB standard (PN16)		ANSI standard (CL.150LBS)		JIS standard (JIS5K)		JIS standard (JIS10K)		D	D1	D2	H	H1	H2
		ØA	N- M	ØA	N- M	ØA	N- M	ØA	N- M	ØA	N- M						
DN25	33	85	4-12	85	4-12	79.5	4-14	75	4-10	90	4-12	69	59	34	140	46	15/27
DN32	33	100	4-16	100	4-16	88.9	4-14	90	4-12	100	4-16	69	59	34	140	46	15/27

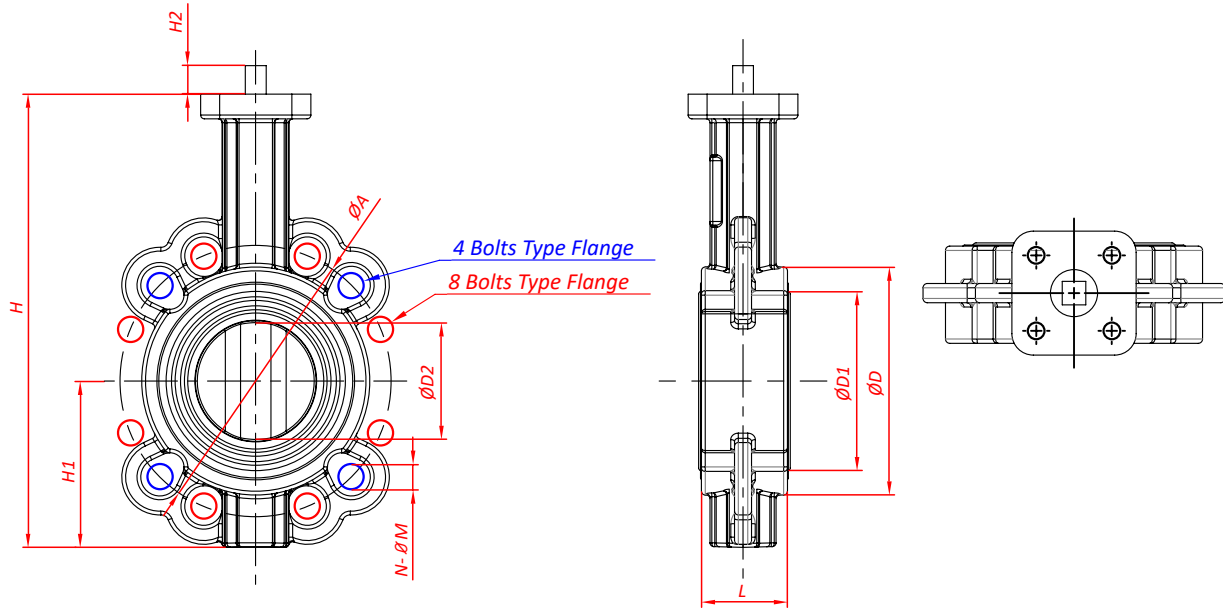


**SIZE DN50**

### DIMENSIONS OF BARE SHAFT WAFER TYPE BUTTERFLY VALVE IN SIZE DN50

Size	L	GB standard (PN10)		GB standard (PN16)		ANSI standard (CL.150LBS)		JIS standard (JIS5K)		JIS standard (JIS10K)		D	D1	D2	H	H1	H2
		ØA	N- M	ØA	N- M	ØA	N- M	ØA	N- M	ØA	N- M						
DN40	33	110	4-16	110	4-16	98.5	4-14	95	4-12	105	4-16	80	68	44	147	53	15/27
DN50	42	125	4-16	125	4-16	120.7	4-16	105	4-12	120	4-16	95	82	55	195	55	15/27

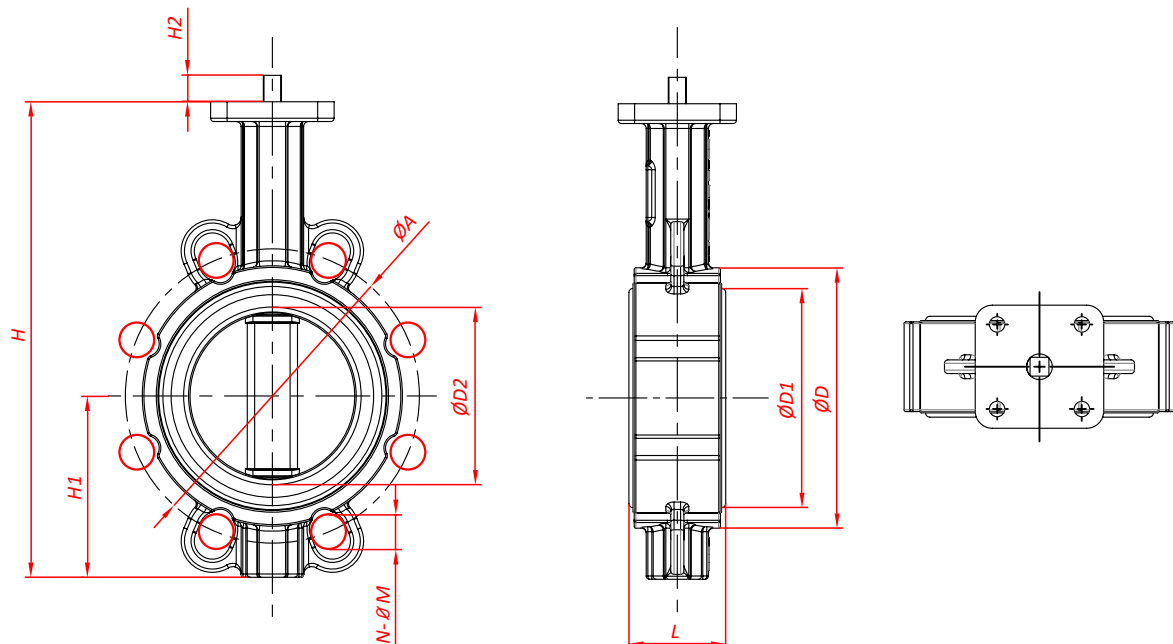
### DIMENSIONS OF BARE SHAFT WAFER TYPE BUTTERFLY VALVE



SIZE DN65-DN80

### DIMENSIONS OF BARE SHAFT WAFER TYPE BUTTERFLY VALVE IN SIZE DN65-DN80

Size	L	GB standard (PN10)		GB standard (PN16)		ANSI standard (CL.150LBS)		JIS standard (JIS5K)		JIS standard (JIS10K)		D	D1	D2	H	H1	H2
		ΦA	N- M	ΦA	N- M	ΦA	N- M	ΦA	N- M	ΦA	N- M						
DN65	44	145	4-16	145	4-16	139.7	4-16	130	4-12	140	4-16	114	97	69	217	64	15/27
DN80	44	160	8-16	160	8-16	152.4	4-16	145	4-16	150	8-16	126	113	81	232	73	15/27

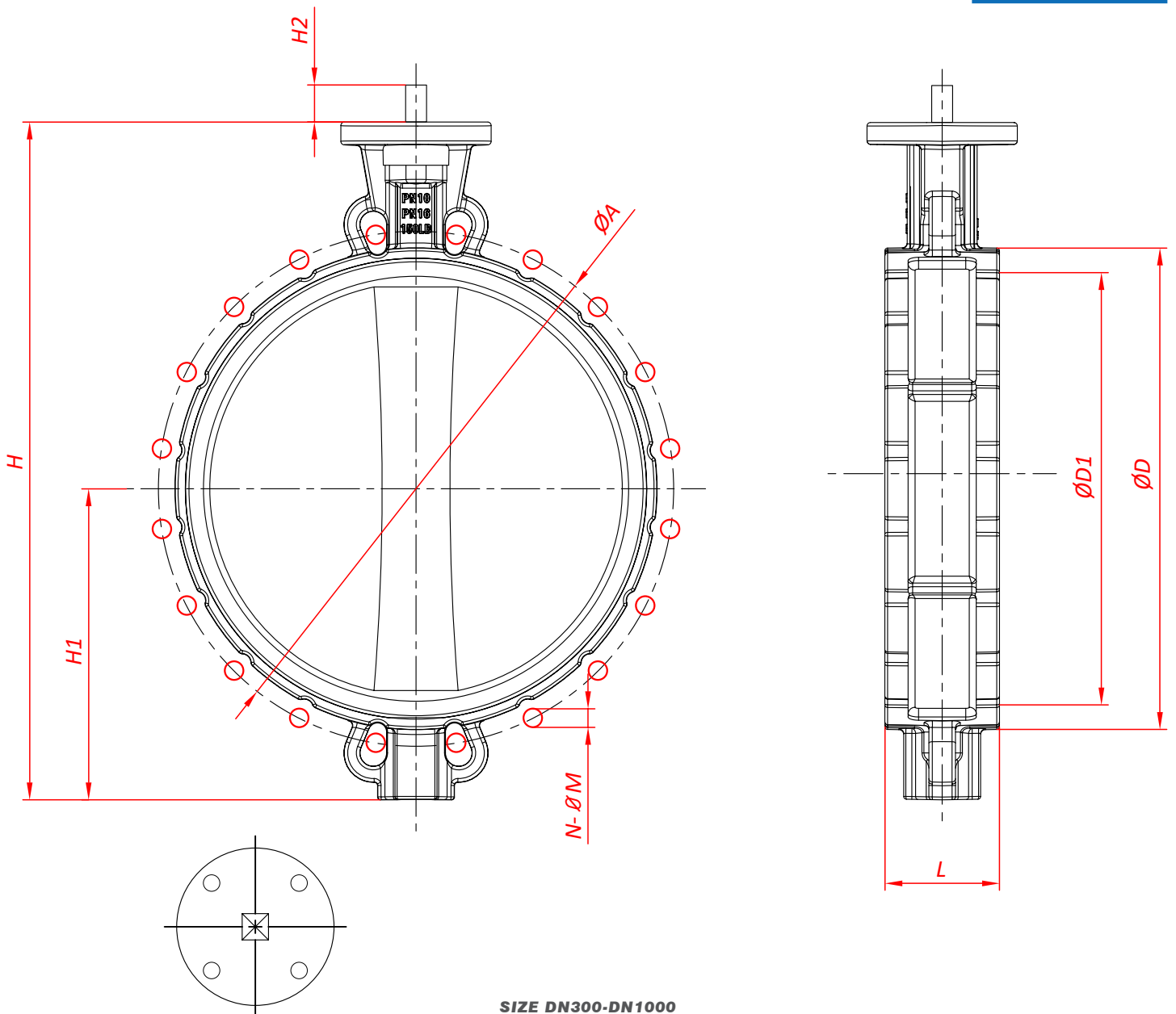


SIZE DN100-DN250

### DIMENSIONS OF BARE SHAFT WAFER TYPE BUTTERFLY VALVE IN SIZE DN100-DN250

Size	L	GB standard (PN10)		GB standard (PN16)		ANSI standard (CL.150LBS)		JIS standard (JIS5K)		JIS standard (JIS10K)		D	D1	D2	H	H1	H2
		ΦA	N- M	ΦA	N- M	ΦA	N- M	ΦA	N- M	ΦA	N- M						
DN100	50	180	8-16	180	8-16	190.5	8-16	165	8-16	175	8-16	154	139	108	270	88	20/27
DN125	56	210	8-16	210	8-16	215.9	8-20	200	8-16	210	8-20	180	163	135	292	102	20/27
DN150	56	240	8-20	240	8-20	241.3	8-20	230	8-16	240	8-20	206	195	154	318	115	20/27
DN200	60	295	8-20	295	12-20	298.5	8-20	280	8-20	290	12-20	264	250	205	390	149	25/40
DN250	68	350	12-20	355	12-24	362	12-24	345	12-20	355	12-22	320	305	255	457	184	30/45

## DIMENSIONS OF BARE SHAFT WAFER TYPE BUTTERFLY VALVE



SIZE DN300-DN1000

## DIMENSIONS OF BARE SHAFT WAFER TYPE BUTTERFLY VALVE IN SIZE DN300-DN1000

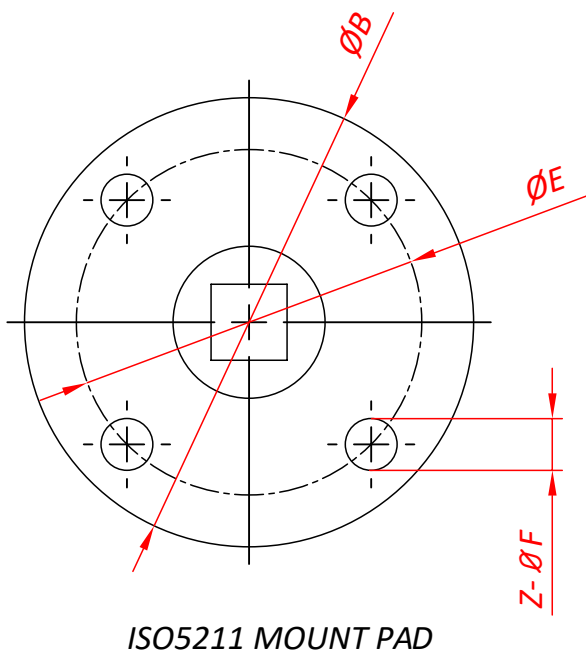
Size	L	GB standard (PN10)		GB standard (PN16)		ANSI standard (CL.150LBS)		JIS standard (JIS5K)		JIS standard (JIS10K)		D	D1	D2	H	H1	H2
		ØA	N- M	ØA	N- M	ØA	N- M	ØA	N- M	ØA	N- M						
DN300	78	400	12-20	410	12-24	431.8	12-24	390	12-20	400	16-22	370	352	302	518	207	30/50
DN350	78	460	16-20	470	16-24	476.3	12-27	435	12-22	445	16-22	430	405	345	610	247	35/55
DN400	102	515	16-24	525	16-27	539.8	16-27	495	16-22	510	16-24	480	455	395	650	275	35/64
DN450	114	565	20-24	585	20-27	577.9	16-30	555	16-22	565	20-24	550	515	450	713	307	50/80
DN500	127	620	20-24	650	20-30	635	20-30	605	20-22	620	20-24	590	565	500	768	330	50/80
DN600	151	725	20-27	770	20-33	749.3	20-33	715	20-24	730	24-30	695	674	585	919	400	50/80
DN700	163	840	24-27	840	24-33	863.6	28-33	820	24-24	840	24-30	787	760	705	1144	520	55/82
DN800	190	950	24-30	950	24-36	977.9	28-39	930	24-30	950	28-30	905	878	810	1263	591	55/82
DN900	203	1050	28-30	1050	28-36	1085.8	32-39	1030	24-30	1050	28-30	970	955	885	1376	656	55/118
DN1000	216	1160	28-33	1170	28-39	1200.2	36-39	1130	28-30	1160	28-36	1107	1053	961	1522	722	55/148

★★★★★ Important Note:

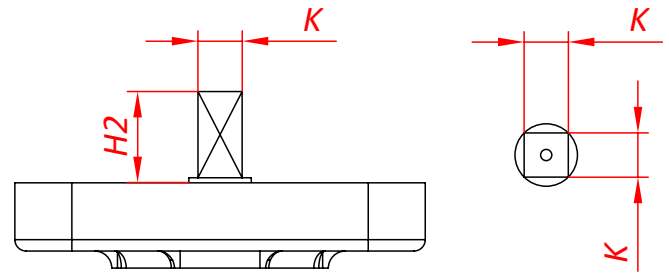
The structure and dimensions above are mainly for the Ductile cast iron body material and non-back seat type Butterfly valve. For other Stainless steel body type, PTFE seat type, Back seat type, and other types, they will have differences on some structure and dimensions. Please consult POV team for more details.



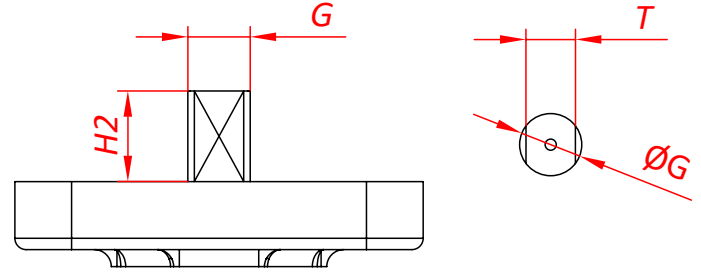
## DIMENSIONS OF WAFER TYPE BUTTERFLY VALVE MOUNTING PAD



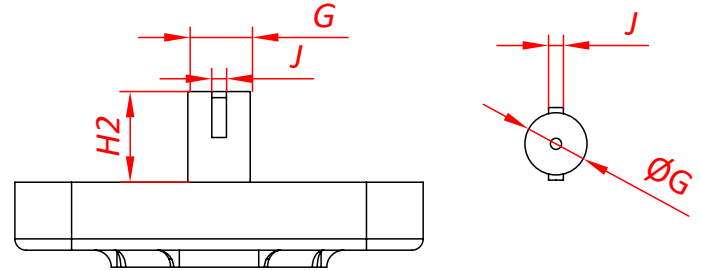
### SQUARE TYPE STEM



### DOUBLE-D TYPE STEM



### ROUND TYPE STEM WITH KEYS



## DIMENSIONS OF WAFER TYPE BUTTERFLY VALVE MOUNTING PAD

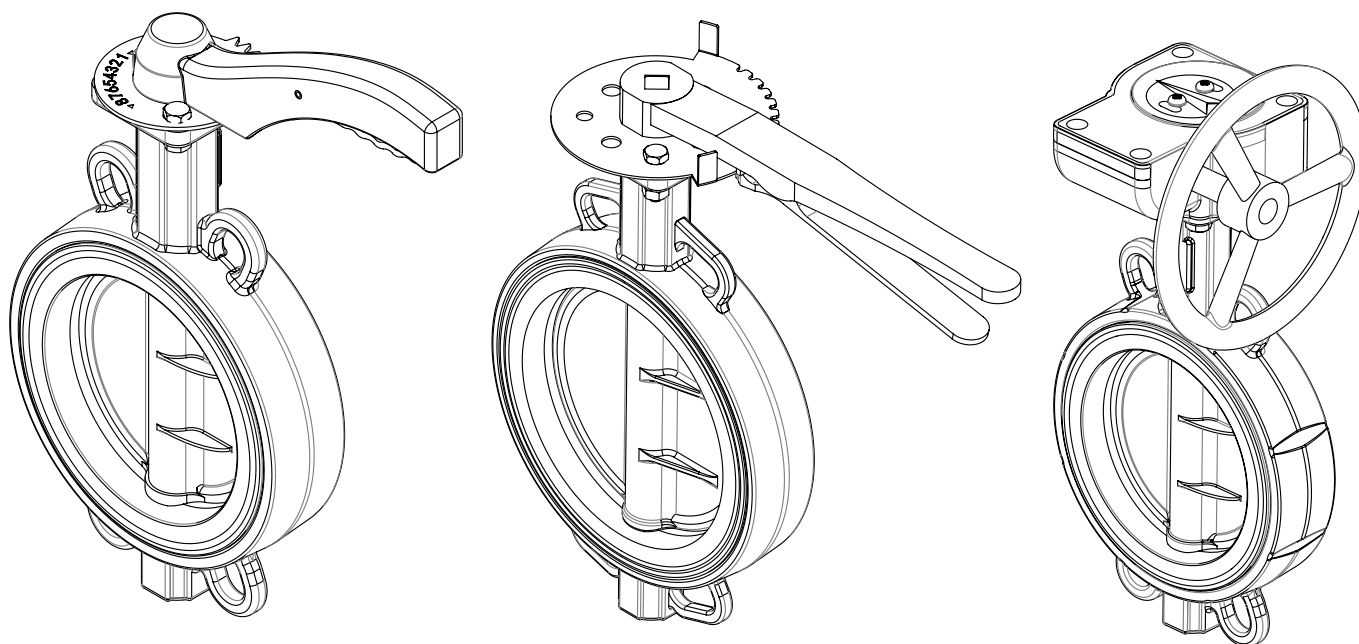
Size	ØB	ISO5211 Mounting Pad			H2	Square Stem		Double-D Stem		Round Stem c/w Keys	
		ØE	Z- ØF	ISO5211		K x K	G	T	G	J	
DN25	65	50	4-7.5	F05	15/27	11	9.5	7	9.5	-	
DN32	65	50	4-7.5	F05	15/27	11	9.5	7	9.5	-	
DN40	65	50	4-7.5	F05	15/27	11	9.5	7	9.5	-	
DN50	90	70	4-10	F07	15/27	11	14	10	14	1-3	
DN65	90	70	4-10	F07	15/27	11	14	10	14	1-3	
DN80	90	70	4-10	F07	15/27	11	14	10	14	1-3	
DN100	90	70	4-10	F07	20/27	11	16	11	16	1-5	
DN125	90	70	4-10	F07	20/27	14	19	13	19	1-5	
DN150	90	70	4-10	F07	20/27	14	19	13	19	1-5	
DN200	150	102	4-12	F10	25/40	17	22	16	22	1-5	
DN250	150	102	4-12	F10	30/45	22	30	22	30	1-8	
DN300	150	125	4-14	F12	30/50	22	30	22	30	1-8	
DN350	150	125	4-14	F12	35/55	27	35	-	35	1-8	
DN400	200	140	4-18	F14	35/64	27	40	-	40	1-10	
DN450	210	165	4-22	F16	50/80	36	50	-	50	1-12	
DN500	210	165	4-22	F16	50/80	36	50	-	50	1-12	
DN600	210	165	4-22	F16	50/80	46	60	-	60	2-16	
DN700	300	254	8-18	F25	55/82	46	60	-	60	2-18	
DN800	300	254	8-18	F25	55/82	46	60	-	60	2-20	
DN900	300	254	8-18	F25	55/118	55	75	-	75	2-22	
DN1000	300	254	8-18	F25	148	55	85	-	85	2-25	

## PO8-W SERIES: WAFER TYPE SOFT SEATED BUTTERFLY VALVE

### PO8-WM Series: MANUAL OPERATED WAFER TYPE SOFT SEATED BUTTERFLY VALVE

#### DESCRIPTION

The manual operated wafer type butterfly valve uses the handle or gear operator as the driving device to open or close the valve. The handle and gear are made of aluminum alloy or mild steel. The handle and gear operator enable the butterfly valve disc to be fixed at the fully open or fully closed position, and can also be locked at any position before 0~90° , so that the butterfly valve can not only be used to open and close the valve, but also can be used to regulat the flow.



#### ORDERING CODE



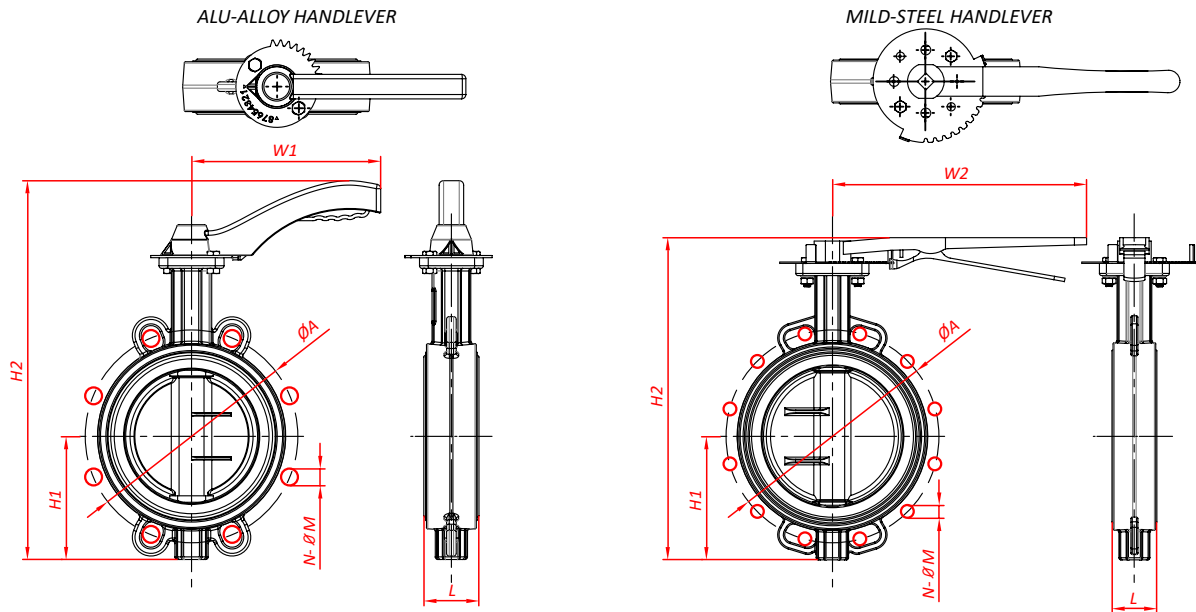
Seal Material	Body Material	Disc Material	Pressure Rating	Actuation Type
2 EPDM	2 Ductile Cast Iron	2 DI c/w Nickel Coated	2 PN10	L MANUAL HANDLEVER
3 NBR	3 A216 WCB	3 A216 WCB	3 PN16	G MANUAL GEAR OPERATOR
4 PTFE	A A351 CF8 / SS304	A A351 CF8 / SS304	A CLASS150LB	
V VITON	B A351 CF8M / SS316	B A351 CF8M / SS316	E JIS 5K	
H HYPALON	C A351 CF3M / SS316L	C A351 CF3M / SS316L	F JIS 10K	
Q SILICON RUBBER	E Duplex S.S. 2205	D Duplex S.S. 2507		
P POLYURETHANE	F Others	E Duplex S.S. 2205		
F Others		G Super S.S. 1.4529		
		K B148 C95400		
		N B148 C95800		
		H Halar Coated		
		R Rubber Coated		
		L Nylon Coated		
		F Others		

Example: PO8172-12A2-WM-L: Manual Butterfly Valve, Ductile Cast Iron Body, SS304 Disc, EPDM Seat, PN10, with manual handlever.

### PO8-WM Series: MANUAL OPERATED WAFER TYPE SOFT SEATED BUTTERFLY VALVE

#### PO8-WM-L : MANUAL HANDLEVER TYPE

#### DIMENSIONS



#### DIMENSIONS OF MANUAL TYPE BUTTERFLY VALVE IN RATING PN10

PN10 PRESSURE RATING	Size	L	GB standard (PN10)		H1	H2	W1	W2
			ΦA	N-M				
	DN25	33	85	4-12	46	170	115	-
	DN32	33	100	4-16	46	170	115	-
	DN40	33	110	4-16	53	177	115	-
	DN50	42	125	4-16	55	265	170	230
	DN65	44	145	4-16	64	287	170	230
	DN80	44	160	8-16	73	302	170	230
	DN100	50	180	8-16	88	350	215	260
	DN125	56	210	8-16	102	372	215	260
DN150	56	240	8-20	115	398	215	260	
DN200	60	295	8-20	149	420	-	355	
DN250	68	350	12-20	184	487	-	355	

#### DIMENSIONS OF MANUAL TYPE BUTTERFLY VALVE IN RATING PN16

PN16 PRESSURE RATING	Size	L	GB standard (PN16)		H1	H2	W1	W2
			ΦA	N-M				
	DN25	33	85	4-12	46	170	115	-
	DN32	33	100	4-16	46	170	115	-
	DN40	33	110	4-16	53	177	115	-
	DN50	42	125	4-16	55	265	170	230
	DN65	44	145	4-16	64	287	170	230
	DN80	44	160	8-16	73	302	170	230
	DN100	50	180	8-16	88	350	215	260
	DN125	56	210	8-16	102	372	215	260
DN150	56	240	8-20	115	398	215	260	
DN200	60	295	12-20	149	420	-	355	
DN250	68	355	12-24	184	487	-	355	



### PO8-WM-L : MANUAL HANDLEVER TYPE

#### DIMENSIONS OF MANUAL TYPE BUTTERFLY VALVE IN RATING CLASS 150LBS

CLASS 150LBS PRESSURE RATING	Size	L	ANSI standard (CLASS 150LBS)		H1	H2	W1	W2
			ΦA	N-M				
			DN25	33				
DN32	33	88.9	4-14	46	170	115	-	
DN40	33	98.5	4-14	53	177	115	-	
DN50	42	120.7	4-16	55	265	170	230	
DN65	44	139.7	4-16	64	287	170	230	
DN80	44	152.4	4-16	73	302	170	230	
DN100	50	190.5	8-16	88	350	215	260	
DN125	56	215.9	8-20	102	372	215	260	
DN150	56	241.3	8-20	115	398	215	260	
DN200	60	298.5	8-20	149	420	-	355	
DN250	68	362	12-24	184	487	-	355	

#### DIMENSIONS OF MANUAL TYPE BUTTERFLY VALVE IN RATING JIS 5K

JIS5K PRESSURE RATING	Size	L	JIS standard (JIS5K)		H1	H2	W1	W2
			ΦA	N-M				
			DN25	33				
DN32	33	90	4-12	46	170	115	-	
DN40	33	95	4-12	53	177	115	-	
DN50	42	105	4-12	55	265	170	230	
DN65	44	130	4-12	64	287	170	230	
DN80	44	145	4-16	73	302	170	230	
DN100	50	165	8-16	88	350	215	260	
DN125	56	200	8-16	102	372	215	260	
DN150	56	230	8-16	115	398	215	260	
DN200	60	280	8-20	149	420	-	355	
DN250	68	345	12-20	184	487	-	355	

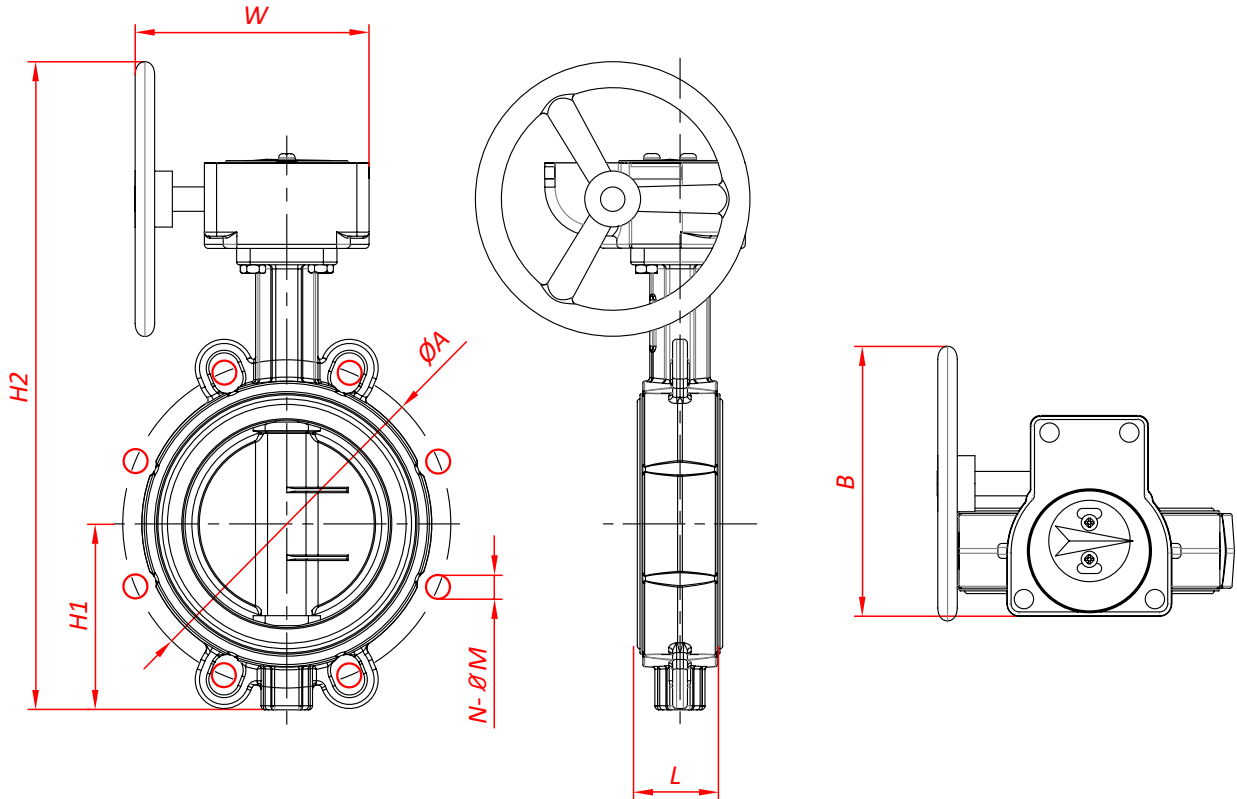
#### DIMENSIONS OF MANUAL TYPE BUTTERFLY VALVE IN RATING JIS 10K

JIS10K PRESSURE RATING	Size	L	JIS standard (JIS10K)		H1	H2	W1	W2
			ΦA	N-M				
			DN25	33				
DN32	33	100	4-16	46	170	115	-	
DN40	33	105	4-16	53	177	115	-	
DN50	42	120	4-16	55	265	170	230	
DN65	44	140	4-16	64	287	170	230	
DN80	44	150	8-16	73	302	170	230	
DN100	50	175	8-16	88	350	215	260	
DN125	56	210	8-20	102	372	215	260	
DN150	56	240	8-20	115	398	215	260	
DN200	60	290	12-20	149	420	-	355	
DN250	68	355	12-22	184	487	-	355	

### PO8-WM Series: MANUAL OPERATED WAFER TYPE SOFT SEATED BUTTERFLY VALVE

#### PO8-WM-G : MANUAL GEAR OPERATOR TYPE

#### DIMENSIONS



#### DIMENSIONS OF MANUAL TYPE BUTTERFLY VALVE IN RATING PN10

Size	L	GB standard (PN10)		H1	H2	W	B
		ØA	N-M				
DN25	33	85	4-12	46	253	208	174
DN32	33	100	4-16	46	253	208	174
DN40	33	110	4-16	53	260	208	174
DN50	42	125	4-16	55	308	208	174
DN65	44	145	4-16	64	330	208	174
DN80	44	160	8-16	73	345	208	174
DN100	50	180	8-16	88	383	208	174
DN125	56	210	8-16	102	405	208	174
DN150	56	240	8-20	115	431	208	174
DN200	60	295	8-20	145	584	299	292
DN250	68	350	12-20	184	651	299	292
DN300	78	400	12-20	207	712	294	308
DN350	78	460	16-20	247	804	294	308
DN400	102	515	16-24	275	920	361	426
DN450	114	565	20-24	307	983	361	426
DN500	127	620	20-24	330	1048	361	426
DN600	151	725	20-27	400	1199	417	479
DN700	163	840	24-27	520	1470	485	578
DN800	190	950	24-30	591	1603	485	578
DN900	203	1050	28-30	656	1741	534	650
DN1000	216	1160	28-33	722	1887	534	650

PN10 PRESSURE RATING

## PO8-WM-G : MANUAL GEAR OPERATOR TYPE

### DIMENSIONS OF MANUAL TYPE BUTTERFLY VALVE IN RATING PN16

Size	L	GB standard (PN16)		H1	H	W	B
		ΦA	N-M				
DN25	33	85	4-12	46	253	208	174
DN32	33	100	4-16	46	253	208	174
DN40	33	110	4-16	53	260	208	174
DN50	42	125	4-16	55	308	208	174
DN65	44	145	4-16	64	330	208	174
DN80	44	160	8-16	73	345	208	174
DN100	50	180	8-16	88	383	208	174
DN125	56	210	8-16	102	405	208	174
DN150	56	240	8-20	115	431	208	174
DN200	60	295	12-20	145	584	299	292
DN250	68	355	12-24	184	651	299	292
DN300	78	410	12-24	207	712	294	308
DN350	78	470	16-24	247	804	294	308
DN400	102	525	16-27	275	920	361	426
DN450	114	585	20-27	307	983	361	426
DN500	127	650	20-30	330	1048	361	426
DN600	151	770	20-33	400	1199	417	479
DN700	163	840	24-33	520	1470	485	578
DN800	190	950	24-36	591	1603	485	578
DN900	203	1050	28-36	656	1741	534	650
DN1000	216	1170	28-39	722	1887	534	650

PN16 PRESSURE RATING

### DIMENSIONS OF MANUAL TYPE BUTTERFLY VALVE IN RATING CLASS 150LBS

Size	L	ANSI standard (CLASS 150LBS)		H1	H	W	B
		ΦA	N-M				
DN25	33	79.5	4-14	46	253	208	174
DN32	33	88.9	4-14	46	253	208	174
DN40	33	98.5	4-14	53	260	208	174
DN50	42	120.7	4-16	55	308	208	174
DN65	44	139.7	4-16	64	330	208	174
DN80	44	152.4	4-16	73	345	208	174
DN100	50	190.5	8-16	88	383	208	174
DN125	56	215.9	8-20	102	405	208	174
DN150	56	241.3	8-20	115	431	208	174
DN200	60	298.5	8-20	145	584	299	292
DN250	68	362	12-24	184	651	299	292
DN300	78	431.8	12-24	207	712	294	308
DN350	78	476.3	12-27	247	804	294	308
DN400	102	539.8	16-27	275	920	361	426
DN450	114	577.9	16-30	307	983	361	426
DN500	127	635	20-30	330	1048	361	426
DN600	151	749.3	20-33	400	1199	417	479
DN700	163	863.6	28-33	520	1470	485	578
DN800	190	977.9	28-39	591	1603	485	578
DN900	203	1085.8	32-39	656	1741	534	650
DN1000	216	1200.2	36-39	722	1887	534	650

CLASS 150LBS PRESSURE RATING

**PO8-WM-G :  
MANUAL GEAR OPERATOR TYPE**

**DIMENSIONS OF MANUAL TYPE BUTTERFLY VALVE IN RATING JIS 5K**

Size	L	JIS standard (JIS5K)		H1	H	W	B
		ΦA	N-M				
DN25	33	75	4-10	46	253	208	174
DN32	33	90	4-12	46	253	208	174
DN40	33	95	4-12	53	260	208	174
DN50	42	105	4-12	55	308	208	174
DN65	44	130	4-12	64	330	208	174
DN80	44	145	4-16	73	345	208	174
DN100	50	165	8-16	88	383	208	174
DN125	56	200	8-16	102	405	208	174
DN150	56	230	8-16	115	431	208	174
DN200	60	280	8-20	145	584	299	292
DN250	68	345	12-20	184	651	299	292
DN300	78	390	12-20	207	712	294	308
DN350	78	435	12-22	247	804	294	308
DN400	102	495	16-22	275	920	361	426
DN450	114	555	16-22	307	983	361	426
DN500	127	605	20-22	330	1048	361	426
DN600	151	715	20-24	400	1199	417	479
DN700	163	820	24-30	520	1470	485	578
DN800	190	930	24-30	591	1603	485	578
DN900	203	1030	24-30	656	1741	534	650
DN1000	216	1130	28-30	722	1887	534	650

**DIMENSIONS OF MANUAL TYPE BUTTERFLY VALVE IN RATING JIS 10K**

Size	L	JIS standard (JIS10K)		H1	H	W	B
		ΦA	N-M				
DN25	33	90	4-12	46	253	208	174
DN32	33	100	4-16	46	253	208	174
DN40	33	105	4-16	53	260	208	174
DN50	42	120	4-16	55	308	208	174
DN65	44	140	4-16	64	330	208	174
DN80	44	150	8-16	73	345	208	174
DN100	50	175	8-16	88	383	208	174
DN125	56	210	8-20	102	405	208	174
DN150	56	240	8-20	115	431	208	174
DN200	60	290	12-20	145	584	299	292
DN250	68	355	12-22	184	651	299	292
DN300	78	400	16-22	207	712	294	308
DN350	78	445	16-22	247	804	294	308
DN400	102	510	16-24	275	920	361	426
DN450	114	565	20-24	307	983	361	426
DN500	127	620	20-24	330	1048	361	426
DN600	151	730	24-30	400	1199	417	479
DN700	163	840	24-30	520	1470	485	578
DN800	190	950	28-30	591	1603	485	578
DN900	203	1050	28-30	656	1741	534	650
DN1000	216	1160	28-36	722	1887	534	650

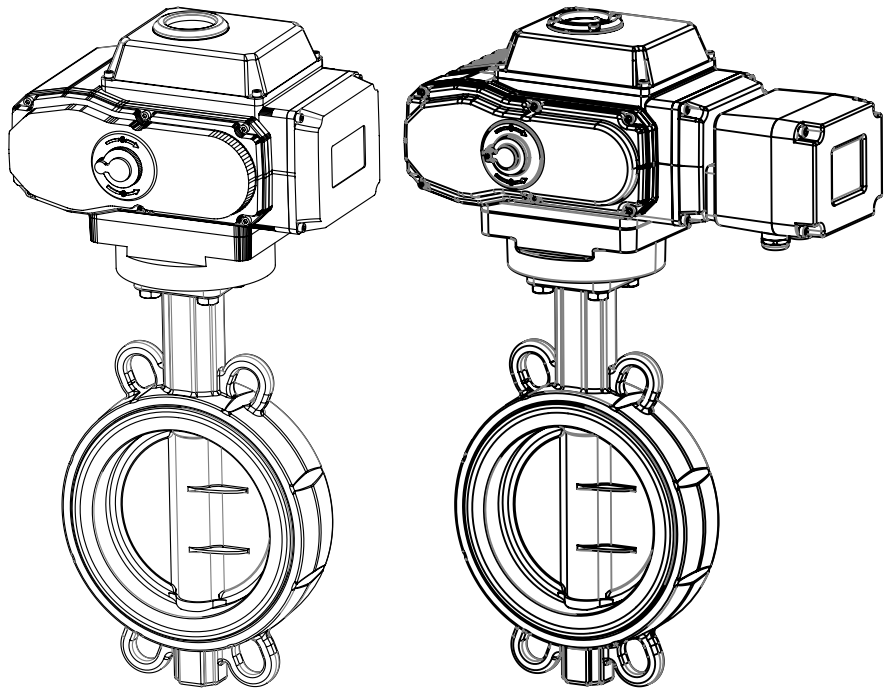
POV VALVE PO8-SERIES BUTTERFLY VALVE

## PO8-W SERIES: WAFER TYPE SOFT SEATED BUTTERFLY VALVE

### PO8-WE Series: MOTORIZED BUTTERFLY VALVE WITH POE ACTUATOR

#### DESCRIPTION

The POV Motorized Wafer type Butterfly Valve are controlled by POE series fine and small electric actuators. The actuator has small volume, high integration, good protection and stable performance. It can be operated on site or controlled remotely. It is suitable for ball valve control with 90 degree rotation. The control functions include switch control, proportional position regulating control, intelligent control, etc. It can be operated manually due to its high voltage and flexible switching time.



#### ORDERING CODE

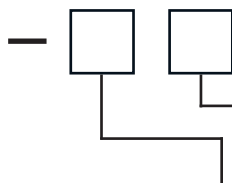
**PO 8 9 7 [ ] - 1 [ ] [ ] [ ] - W E -**

Seal Material	
2	EPDM
3	NBR
4	PTFE
V	VITON
H	HYPALON
Q	SILICON RUBBER
P	POLYURETHANE
F	Others

Body Material	
2	Ductile Cast Iron
3	A216 WCB
A	A351 CF8 / SS304
B	A351 CF8M / SS316
C	A351 CF3M / SS316L
E	Duplex S.S. 2205
F	Others

Disc Material	
2	DI c/w Nickel Coated
3	A216 WCB
A	A351 CF8 / SS304
B	A351 CF8M / SS316
C	A351 CF3M / SS316L
D	Duplex S.S. 2507
E	Duplex S.S. 2205
G	Super S.S. 1.4529
K	B148 C95400
N	B148 C95800
H	Halar Coated
R	Rubber Coated
L	Nylon Coated
F	Others

Pressure Rating	
2	PN10
3	PN16
A	CLASS150LB
E	JIS 5K
F	JIS 10K



Actuator Control Model	
SN	ON-OFF Type
RN	Potentiometer Type
ZN	Regulating Type
FN	Intelligent Type

Voltage	
1	AC220V
2	AC110V
3	AC24V (Only available with SN and RN type)
4	DC24V
5	AC380V (Only available with SN and FN type)
6	Others (Special Customized Voltage)

Example: PO8972-12A2-WE-ZN1: Motorized Butterfly Valve, Ductile Cast Iron Body, SS304 Disc, EPDM Seat, PN10, with POE Actuator ZN Regulating type AC220V.

### PO8-WE Series: MOTORIZED BUTTERFLY VALVE WITH POE ACTUATOR

#### FUNCTION

The POE Type actuator can be controlled by 4 models, as below model code:

**1. SN Type:** Open and Close the valve according to remote signal, with feedback of Open and Close position.

**AC POWER SUPPLY**

Valve open/close operation is realized by switch loop, and a set of powered position signal is output to signify the valve being full-open or full-close.

Wiring method:

- 1.Terminal 1 connects zero line of the power supply.
- 2.When power supply phase line connects to terminal 2, it runs "ON", and when it runs till travel switch OLS acts.
- 3.When power supply phase line connects to terminal 3, it runs "OFF" till travel switch CLS acts.
- 4.Terminal 4 is power-less contact point common terminal.
- 5.When "ON" runs in place, the terminal 5 outputs "full-open signal".
- 6.When "OFF" runs in place, the terminal 6 outputs "full-shut signal".

**DC POWER SUPPLY**

By switching over the positive/negative polarity of the external DC power supply, the valve "OPEN" or "SHUT" operation is realized, and meanwhile a set of power less contact point signal is output to signify the value being full-open or full-shut.

Wiring method:

- 1.When terminal 1 links to power supply positive pole, terminal 2 links to the power supply negative pole, and that is "ON" operation;
- 2.When terminal 1 links to power supply negative pole, terminal 2 links to the power supply positive pole, and that is "OFF" operation.
- 3.Terminal 4 is power-less contact point common terminal.
- 4.When "ON" runs in place, the terminal 5 outputs 'full-open signal'.
- 5.When "OFF" runs in place, the terminal 6 outputs 'full-shut signal'.

**2. RN Type:** Open and Close the valve according to remote signal, with Potentiometer to feedback position by 1-5K resistance.

**FOR MAKER**

**FOR USER**

The external computer or industrial instrument inputs a standard signal to control the open/close degree of the valve and meanwhile feedbacks the corresponding standard signal.

Wiring method:

- 1.On the power input side "N" links to the zero line, and "L" linksto phase conductors.
- 2.The "+" on the "external control" side links to the positive pole of the input signal, and "-" links to the negative pole of input signal.
- 3.The "+" on the "feedback" side links to the positive pole of the output signal, and "-" links to the negative pole of output signal.

**3. ZN Type:** Proportionally open valve in position 0° ~90° according to digital signal 4-20mA, and feedback 4-20mA position signal.

**FOR MAKER**

**Output input power supply**

The external computer or industrial instrument inputs a standard signal to control the open/close degree of the valve and meanwhile feedbacks the corresponding standard signal.

Wiring method:

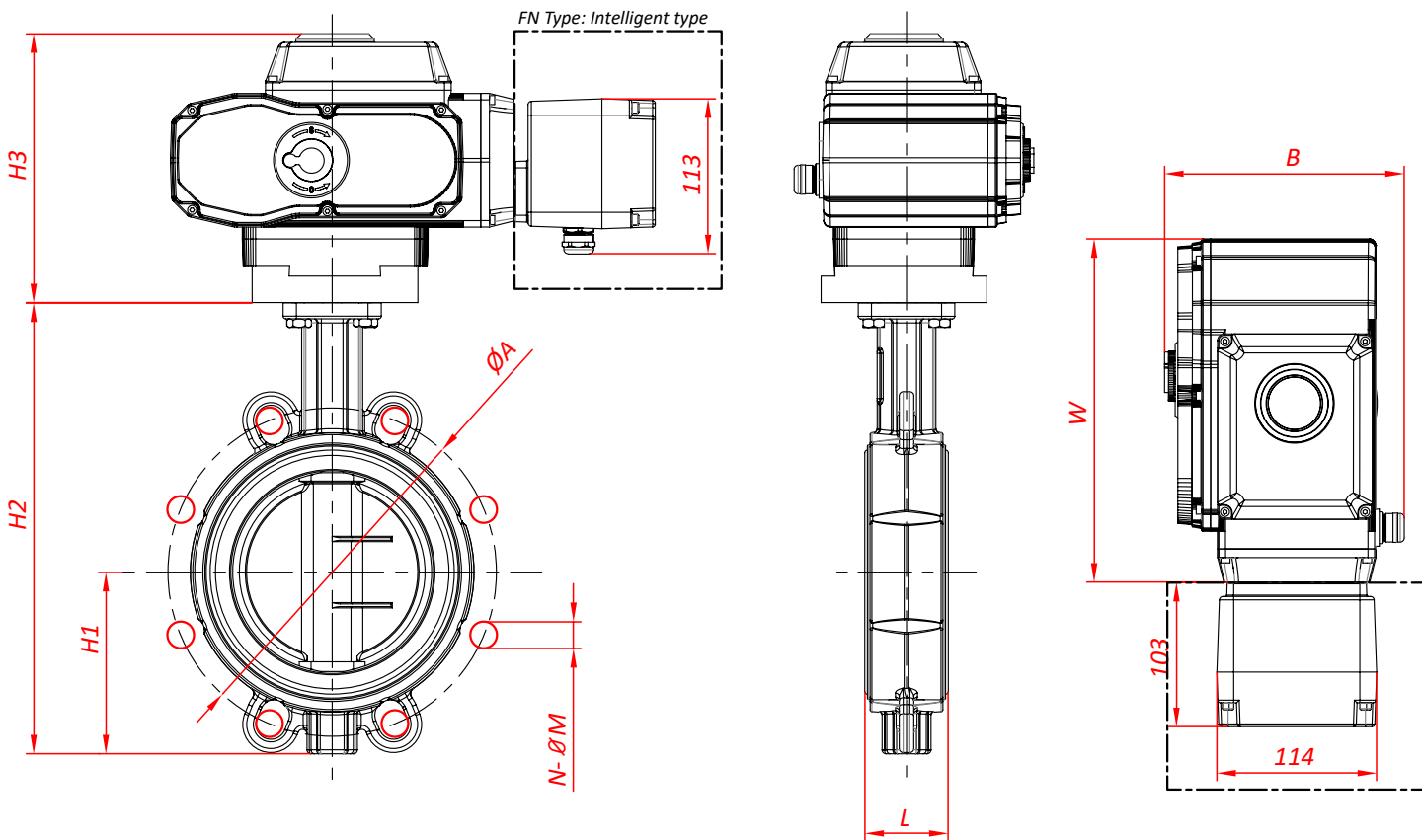
- 1.On the power input side "N" links to the zero line, and "L" linksto phase conductors.
- 2.The "+" on the "external control" side links to the positive pole of the input signal, and "-" links to the negative pole of input signal.
- 3.The "+" on the "feedback" side links to the positive pole of the output signal, and "-" links to the negative pole of output signal.

**4. FN Type:** Intelligent type can be equipped with LED screen, Control button, Over-torque protection, ESD protection.

- Non-intrusive design, explosion and water proof, capacitance touch screen control, LED fully menu display.
- Perfect electric potential breakdown, over torque and ESD protection functions.
- Adjustment type/on-off type is in common use, 220VAC /380VAC is in common use.
- Output signal: Adjustment type DC4-20mA (DC1-5V), 0-20mA and other special specifications can customized, on-off type passive stem node signal.

## PO8-WE Series: MOTORIZED BUTTERFLY VALVE WITH POE ACTUATOR

### DIMENSIONS



### DIMENSIONS OF MOTORIZED BUTTERFLY VALVE WITH POE ACTUATOR IN RATING PN10

	Size	L	GB standard (PN10)		H1	H2	H3	W	B	POE Model
			ΦA	N-M						
PN10 PRESSURE RATING	DN25	33	85	4-12	46	94	137.5	165	140.5	POE-05
	DN32	33	100	4-16	46	94	137.5	165	140.5	POE-05
	DN40	33	110	4-16	53	94	137.5	165	140.5	POE-05
	DN50	42	125	4-16	55	140	137.5	165	140.5	POE-05
	DN65	44	145	4-16	64	153	137.5	165	140.5	POE-05
	DN80	44	160	8-16	73	159	137.5	165	140.5	POE-05
	DN100	50	180	8-16	88	182	168.5	211.5	154	POE-10
	DN125	56	210	8-16	102	190	168.5	211.5	154	POE-10
	DN150	56	240	8-20	115	203	203	259	186	POE-20
	DN200	60	295	8-20	145	245	203	259	186	POE-40
	DN250	68	350	12-20	184	273	203	259	186	POE-60
	DN300	78	400	12-20	207	311	229.5	283.5	193	POE-100
	DN350	78	460	16-20	247	363	229.5	283.5	193	POE-200

### PO8-WE Series: MOTORIZED BUTTERFLY VALVE WITH POE ACTUATOR

#### DIMENSIONS OF MOTORIZED BUTTERFLY VALVE WITH POE ACTUATOR IN RATING PN16

PN16 PRESSURE RATING	Size	L	GB standard (PN16)		H1	H2	H3	W	B	POE Model
			ΦA	N-M						
			DN25	33						
DN32	33	100	4-16	46	94	137.5	165	140.5	POE-05	
DN40	33	110	4-16	53	94	137.5	165	140.5	POE-05	
DN50	42	125	4-16	55	140	137.5	165	140.5	POE-05	
DN65	44	145	4-16	64	153	137.5	165	140.5	POE-05	
DN80	44	160	8-16	73	159	137.5	165	140.5	POE-05	
DN100	50	180	8-16	88	182	168.5	211.5	154	POE-10	
DN125	56	210	8-16	102	190	168.5	211.5	154	POE-10	
DN150	56	240	8-20	115	203	203	259	186	POE-20	
DN200	60	295	12-20	145	245	203	259	186	POE-40	
DN250	68	355	12-24	184	273	203	259	186	POE-60	
DN300	78	410	12-24	207	311	229.5	283.5	193	POE-100	
DN350	78	470	16-24	247	363	229.5	283.5	193	POE-200	

#### DIMENSIONS OF MOTORIZED BUTTERFLY VALVE WITH POE ACTUATOR IN RATING CLASS 150LBS

CLASS 150LBS PRESSURE RATING	Size	L	ANSI standard (CLASS 150LBS)		H1	H2	H3	W	B	POE Model
			ΦA	N-M						
			DN25	33						
DN32	33	88.9	4-14	46	94	137.5	165	140.5	POE-05	
DN40	33	98.5	4-14	53	94	137.5	165	140.5	POE-05	
DN50	42	120.7	4-16	55	140	137.5	165	140.5	POE-05	
DN65	44	139.7	4-16	64	153	137.5	165	140.5	POE-05	
DN80	44	152.4	4-16	73	159	137.5	165	140.5	POE-05	
DN100	50	190.5	8-16	88	182	168.5	211.5	154	POE-10	
DN125	56	215.9	8-20	102	190	168.5	211.5	154	POE-10	
DN150	56	241.3	8-20	115	203	203	259	186	POE-20	
DN200	60	298.5	8-20	145	245	203	259	186	POE-40	
DN250	68	362	12-24	184	273	203	259	186	POE-60	
DN300	78	431.8	12-24	207	311	229.5	283.5	193	POE-100	
DN350	78	476.3	12-27	247	363	229.5	283.5	193	POE-200	



### PO8-WE Series: MOTORIZED BUTTERFLY VALVE WITH POE ACTUATOR

#### DIMENSIONS OF MOTORIZED BUTTERFLY VALVE WITH POE ACTUATOR IN RATING JIS5K

JIS 5K PRESSURE RATING	Size	L	JIS standard (JIS 5K)		H1	H2	H3	W	B	POE Model
			ΦA	N-M						
			DN25	33						
DN32	33	90	4-12	46	94	137.5	165	140.5	POE-05	
DN40	33	95	4-12	53	94	137.5	165	140.5	POE-05	
DN50	42	105	4-12	55	140	137.5	165	140.5	POE-05	
DN65	44	130	4-12	64	153	137.5	165	140.5	POE-05	
DN80	44	145	4-16	73	159	137.5	165	140.5	POE-05	
DN100	50	165	8-16	88	182	168.5	211.5	154	POE-10	
DN125	56	200	8-16	102	190	168.5	211.5	154	POE-10	
DN150	56	230	8-16	115	203	203	259	186	POE-20	
DN200	60	280	8-20	145	245	203	259	186	POE-40	
DN250	68	345	12-20	184	273	203	259	186	POE-60	
DN300	78	390	12-20	207	311	229.5	283.5	193	POE-100	
DN350	78	435	12-22	247	363	229.5	283.5	193	POE-200	

#### DIMENSIONS OF MOTORIZED BUTTERFLY VALVE WITH POE ACTUATOR IN RATING JIS10K

JIS 10K PRESSURE RATING	Size	L	JIS standard (JIS 10K)		H1	H2	H3	W	B	POE Model
			ΦA	N-M						
			DN25	33						
DN32	33	100	4-16	46	94	137.5	165	140.5	POE-05	
DN40	33	105	4-16	53	94	137.5	165	140.5	POE-05	
DN50	42	120	4-16	55	140	137.5	165	140.5	POE-05	
DN65	44	140	4-16	64	153	137.5	165	140.5	POE-05	
DN80	44	150	8-16	73	159	137.5	165	140.5	POE-05	
DN100	50	175	8-16	88	182	168.5	211.5	154	POE-10	
DN125	56	210	8-20	102	190	168.5	211.5	154	POE-10	
DN150	56	240	8-20	115	203	203	259	186	POE-20	
DN200	60	290	12-20	145	245	203	259	186	POE-40	
DN250	68	355	12-22	184	273	203	259	186	POE-60	
DN300	78	400	16-22	207	311	229.5	283.5	193	POE-100	
DN350	78	445	16-22	247	363	229.5	283.5	193	POE-200	

# PO8-W SERIES: WAFER TYPE SOFT SEATED BUTTERFLY VALVE

## PO8-WQ Series: MOTORIZED BUTTERFLY VALVE WITH POQ HIGH-PERFORMANCE ACTUATOR

### DESCRIPTION

The POV Motorized Butterfly Valves are controlled by our POQ series high-performance electric actuators. The actuator has powerful performance and numerous functions, and is applicable to a variety of working conditions and requirements. The maximum torque can reach 20000 nm. The actuator can be equipped with a variety of Controlbus functions, including MODBUS, PROFIBUS, Hart, etc. it supports Bluetooth control and remote GPRS Remote control. It can not only set, debug and adjust the switch of the electric ball valve, but also obtain the position information, status information and fault information of the electric valve. Limit switch, torque switch, overheat protection, manual clutch and other devices can be configured internally, and explosion-proof configuration can be selected, which is applicable to a variety of working conditions.



### ORDERING CODE

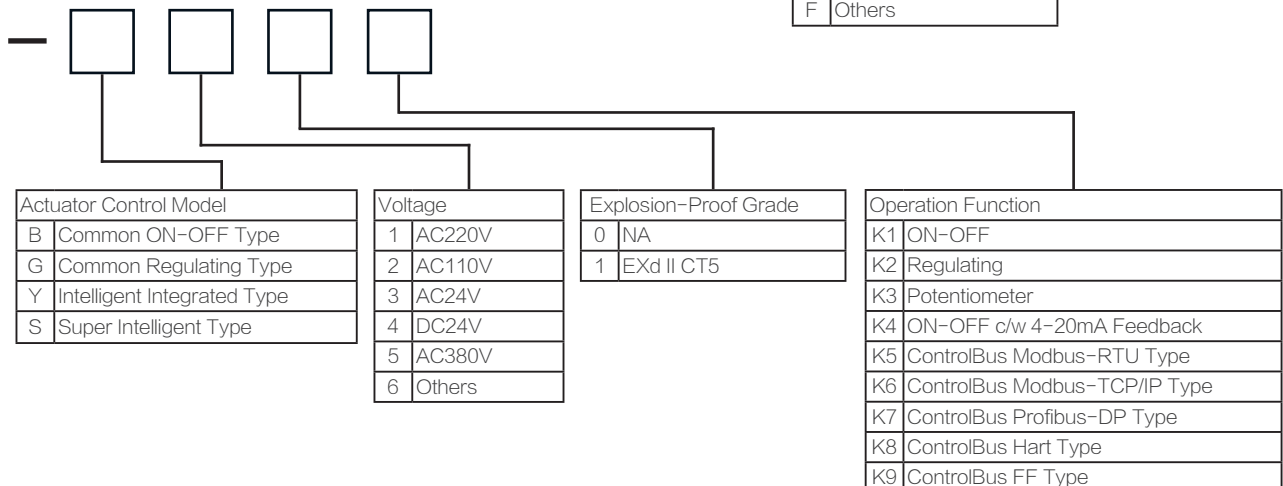
PO 8 9 7   - 1       - W Q -

Seal Material	
2	EPDM
3	NBR
4	PTFE
V	VITON
H	HYPALON
Q	SILICON RUBBER
P	POLYURETHANE
F	Others

Body Material	
2	Ductile Cast Iron
3	A216 WCB
A	A351 CF8 / SS304
B	A351 CF8M / SS316
C	A351 CF3M / SS316L
E	Duplex S.S. 2205
F	Others

Disc Material	
2	DI c/w Nickel Coated
3	A216 WCB
A	A351 CF8 / SS304
B	A351 CF8M / SS316
C	A351 CF3M / SS316L
D	Duplex S.S. 2507
E	Duplex S.S. 2205
G	Super S.S. 1.4529
K	B148 C95400
N	B148 C95800
H	Halar Coated
R	Rubber Coated
L	Nylon Coated
F	Others

Pressure Rating	
2	PN10
3	PN16
A	CLASS150LB
E	JIS 5K
F	JIS 10K



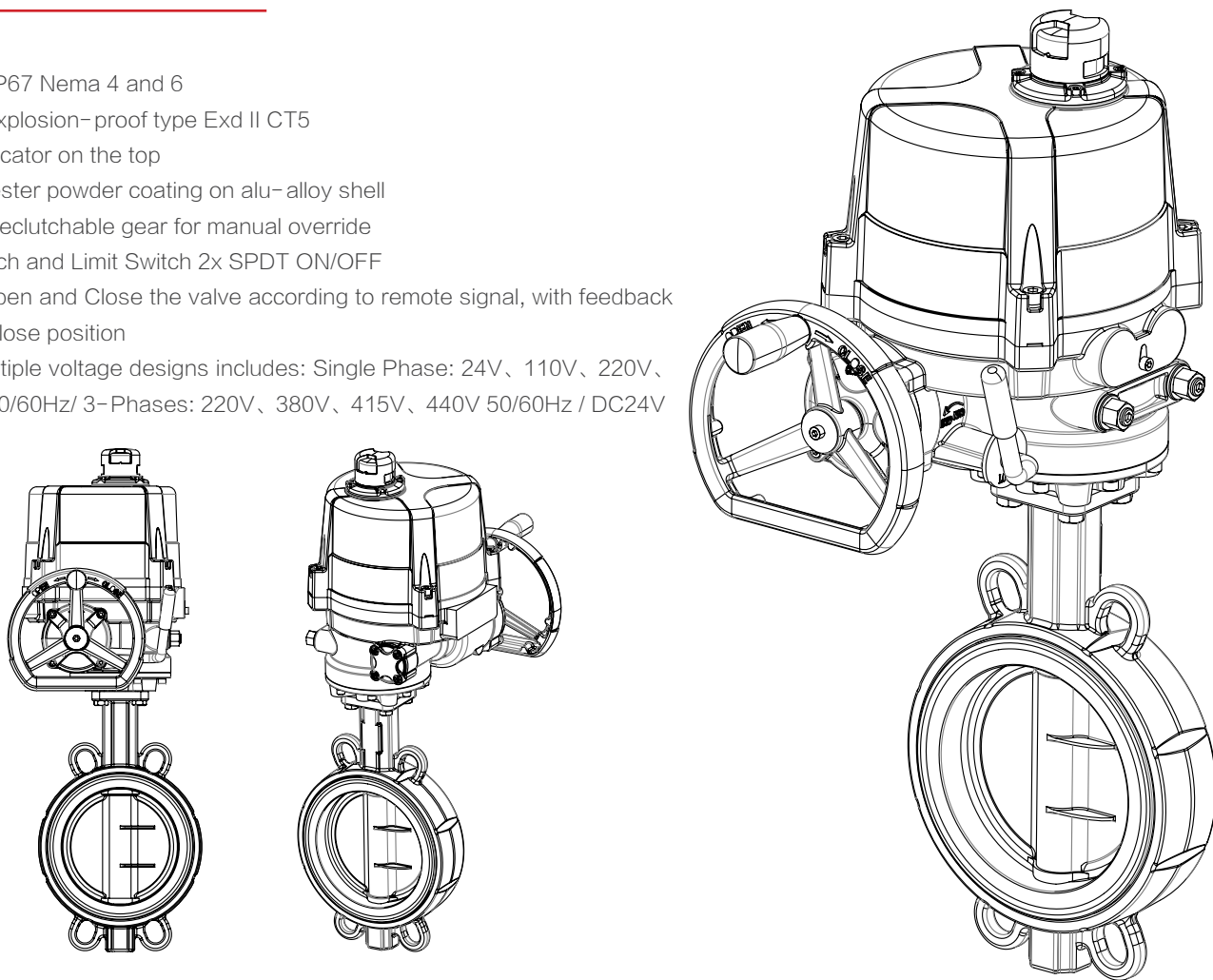
Example: PO8972-12A2-WQ-S10K8: Motorized Butterfly Valve, Ductile Cast Iron Body, SS304 Disc, EPDM Seat, PN10, with POQ Actuator Super Intelligent type AC220V with Hart.

## PO8-WQ Series: MOTORIZED BUTTERFLY VALVE WITH POQ HIGH-PERFORMANCE ACTUATOR

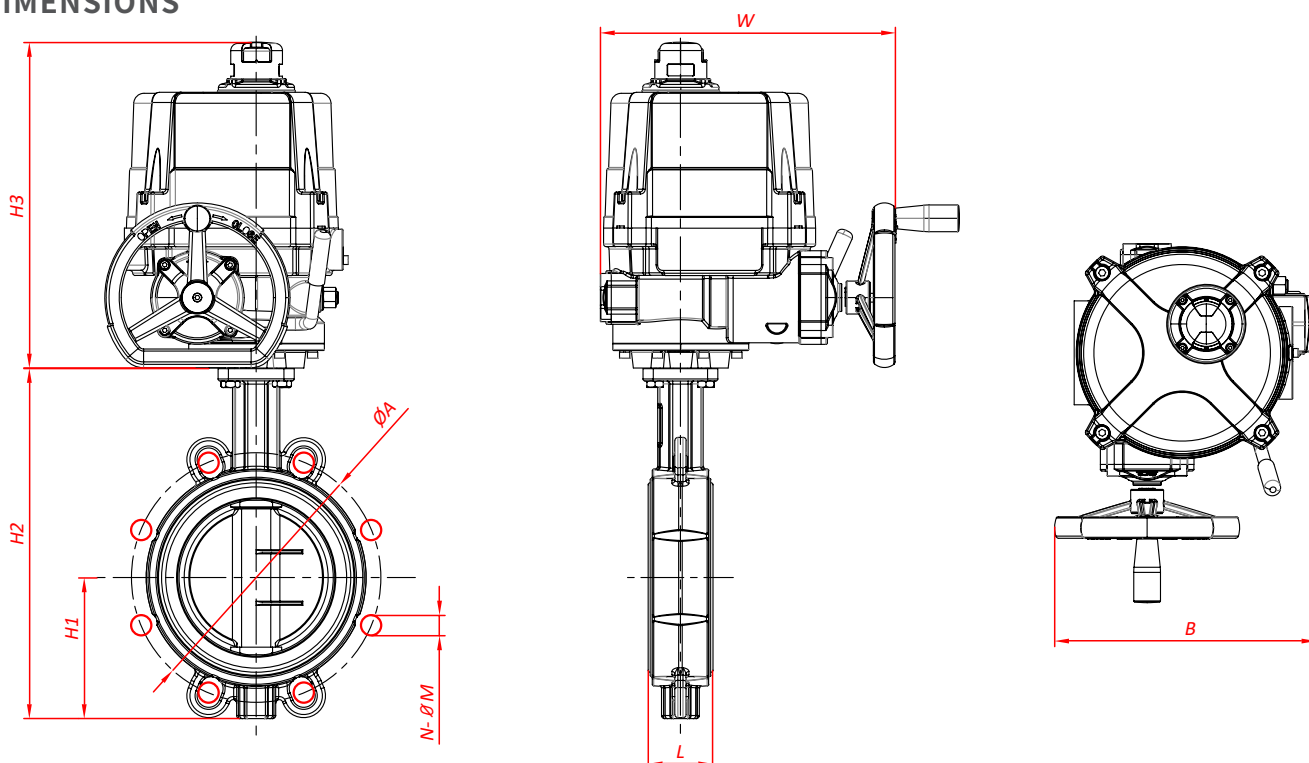
### PO8-WQ-B : COMMON ON-OFF TYPE

#### FEATURES

- Protection IP67 Nema 4 and 6
- Optionnal Explosion-proof type Exd II CT5
- Position Indicator on the top
- Epoxy polyester powder coating on alu-alloy shell
- Integrated declutchable gear for manual override
- Torque switch and Limit Switch 2x SPDT ON/OFF
- Common Open and Close the valve according to remote signal, with feedback of Open and Close position
- Support multiple voltage designs includes: Single Phase: 24V、110V、220V、230V、240V 50/60Hz/ 3-Phases: 220V、380V、415V、440V 50/60Hz / DC24V



#### DIMENSIONS



**PO8-WQ-B :  
COMMON ON-OFF TYPE**
**DIMENSIONS OF MOTORIZED BUTTERFLY VALVE WITH POQ ACTUATOR IN RATING PN10**

PN10 PRESSURE RATING	Size	L	GB standard (PN10)		H1	H2	H3	W	B	POQ Model
			ΦA	N-M						
			DN25	33						
DN32	33	100	4-16	46	94	280	218	169	POQ-006B	
DN40	33	110	4-16	53	94	280	218	169	POQ-006B	
DN50	42	125	4-16	55	140	280	218	169	POQ-006B	
DN65	44	145	4-16	64	153	280	218	169	POQ-006B	
DN80	44	160	8-16	73	159	280	218	169	POQ-006B	
DN100	50	180	8-16	88	182	280	218	169	POQ-010B	
DN125	56	210	8-16	102	190	316	286	237	POQ-016B	
DN150	56	240	8-20	115	203	316	286	237	POQ-016B	
DN200	60	295	8-20	145	245	341	299	250	POQ-030B	
DN250	68	350	12-20	184	273	341	299	250	POQ-050B	
DN300	78	400	12-20	207	311	341	299	250	POQ-060B	
DN350	78	460	16-20	247	363	415	336	342	POQ-100B	
DN400	102	515	16-24	275	375	415	336	342	POQ-130B	
DN450	114	565	20-24	307	406	458	382	381	POQ-170B	
DN500	127	620	20-24	330	438	458	382	381	POQ-230B	

**DIMENSIONS OF MOTORIZED BUTTERFLY VALVE WITH POQ ACTUATOR IN RATING PN16**

PN16 PRESSURE RATING	Size	L	GB standard (PN16)		H1	H2	H3	W	B	POQ Model
			ΦA	N-M						
			DN25	33						
DN32	33	100	4-16	46	94	280	218	169	POQ-006B	
DN40	33	110	4-16	53	94	280	218	169	POQ-006B	
DN50	42	125	4-16	55	140	280	218	169	POQ-006B	
DN65	44	145	4-16	64	153	280	218	169	POQ-006B	
DN80	44	160	8-16	73	159	280	218	169	POQ-006B	
DN100	50	180	8-16	88	182	280	218	169	POQ-010B	
DN125	56	210	8-16	102	190	316	286	237	POQ-016B	
DN150	56	240	8-20	115	203	316	286	237	POQ-016B	
DN200	60	295	12-20	145	245	341	299	250	POQ-030B	
DN250	68	355	12-24	184	273	341	299	250	POQ-050B	
DN300	78	410	12-24	207	311	341	299	250	POQ-060B	
DN350	78	470	16-24	247	363	415	336	342	POQ-100B	
DN400	102	525	16-27	275	375	415	336	342	POQ-130B	
DN450	114	585	20-27	307	406	458	382	381	POQ-170B	
DN500	127	650	20-30	330	438	458	382	381	POQ-230B	

### PO8-WQ-B : COMMON ON-OFF TYPE

#### DIMENSIONS OF MOTORIZED BUTTERFLY VALVE WITH POQ ACTUATOR IN RATING CLASS 150LBS

CLASS 150LBS PRESSURE RATING	Size	L	ANSI standard (CLASS 150LBS)		H1	H2	H3	W	B	POQ Model
			ΦA	N-M						
			DN25	33						
DN32	33	88.9	4-14	46	94	280	218	169	POQ-006B	
DN40	33	98.5	4-14	53	94	280	218	169	POQ-006B	
DN50	42	120.7	4-16	55	140	280	218	169	POQ-006B	
DN65	44	139.7	4-16	64	153	280	218	169	POQ-006B	
DN80	44	152.4	4-16	73	159	280	218	169	POQ-006B	
DN100	50	190.5	8-16	88	182	280	218	169	POQ-010B	
DN125	56	215.9	8-20	102	190	316	286	237	POQ-016B	
DN150	56	241.3	8-20	115	203	316	286	237	POQ-016B	
DN200	60	298.5	8-20	145	245	341	299	250	POQ-030B	
DN250	68	362	12-24	184	273	341	299	250	POQ-050B	
DN300	78	431.8	12-24	207	311	341	299	250	POQ-060B	
DN350	78	476.3	12-27	247	363	415	336	342	POQ-100B	
DN400	102	539.8	16-27	275	375	415	336	342	POQ-130B	
DN450	114	577.9	16-30	307	406	458	382	381	POQ-170B	
DN500	127	635	20-30	330	438	458	382	381	POQ-230B	

#### DIMENSIONS OF MOTORIZED BUTTERFLY VALVE WITH POQ ACTUATOR IN RATING JIS5K

JIS5K PRESSURE RATING	Size	L	JIS standard (JIS5K)		H1	H2	H3	W	B	POQ Model
			ΦA	N-M						
			DN25	33						
DN32	33	90	4-12	46	94	280	218	169	POQ-006B	
DN40	33	95	4-12	53	94	280	218	169	POQ-006B	
DN50	42	105	4-12	55	140	280	218	169	POQ-006B	
DN65	44	130	4-12	64	153	280	218	169	POQ-006B	
DN80	44	145	4-16	73	159	280	218	169	POQ-006B	
DN100	50	165	8-16	88	182	280	218	169	POQ-010B	
DN125	56	200	8-16	102	190	316	286	237	POQ-016B	
DN150	56	230	8-16	115	203	316	286	237	POQ-016B	
DN200	60	280	8-20	145	245	341	299	250	POQ-030B	
DN250	68	345	12-20	184	273	341	299	250	POQ-050B	
DN300	78	390	12-20	207	311	341	299	250	POQ-060B	
DN350	78	435	12-22	247	363	415	336	342	POQ-100B	
DN400	102	495	16-22	275	375	415	336	342	POQ-130B	
DN450	114	555	16-22	307	406	458	382	381	POQ-170B	
DN500	127	605	20-22	330	438	458	382	381	POQ-230B	

**PO8-WQ-B :  
COMMON ON-OFF TYPE**

**DIMENSIONS OF MOTORIZED BUTTERFLY VALVE WITH POQ ACTUATOR IN RATING JIS10K**

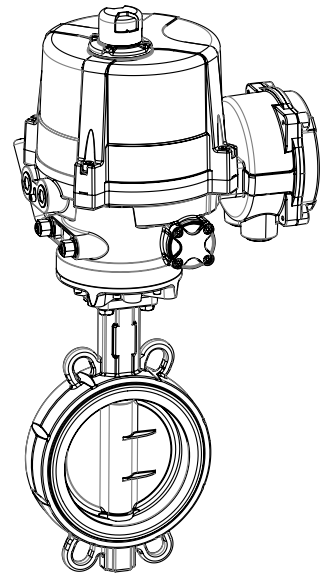
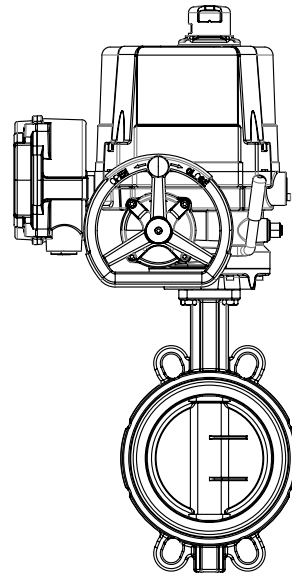
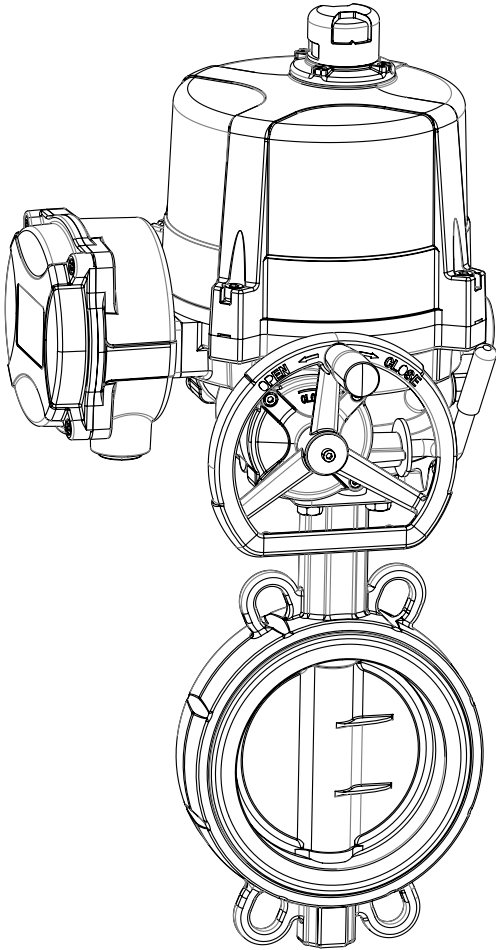
JIS 10K PRESSURE RATING	Size	L	JIS standard (JIS 10K)		H1	H2	H3	W	B	POQ Model
			ΦA	N-M						
			DN25	33						
DN32	33	100	4-16	46	94	280	218	169	POQ-006B	
DN40	33	105	4-16	53	94	280	218	169	POQ-006B	
DN50	42	120	4-16	55	140	280	218	169	POQ-006B	
DN65	44	140	4-16	64	153	280	218	169	POQ-006B	
DN80	44	150	8-16	73	159	280	218	169	POQ-006B	
DN100	50	175	8-16	88	182	280	218	169	POQ-010B	
DN125	56	210	8-20	102	190	316	286	237	POQ-016B	
DN150	56	240	8-20	115	203	316	286	237	POQ-016B	
DN200	60	290	12-20	145	245	341	299	250	POQ-030B	
DN250	68	355	12-22	184	273	341	299	250	POQ-050B	
DN300	78	400	16-22	207	311	341	299	250	POQ-060B	
DN350	78	445	16-22	247	363	415	336	342	POQ-100B	
DN400	102	510	16-24	275	375	415	336	342	POQ-130B	
DN450	114	565	20-24	307	406	458	382	381	POQ-170B	
DN500	127	620	20-24	330	438	458	382	381	POQ-230B	

**PO8-WQ Series:  
MOTORIZED BUTTERFLY VALVE WITH POQ HIGH-PERFORMANCE ACTUATOR**

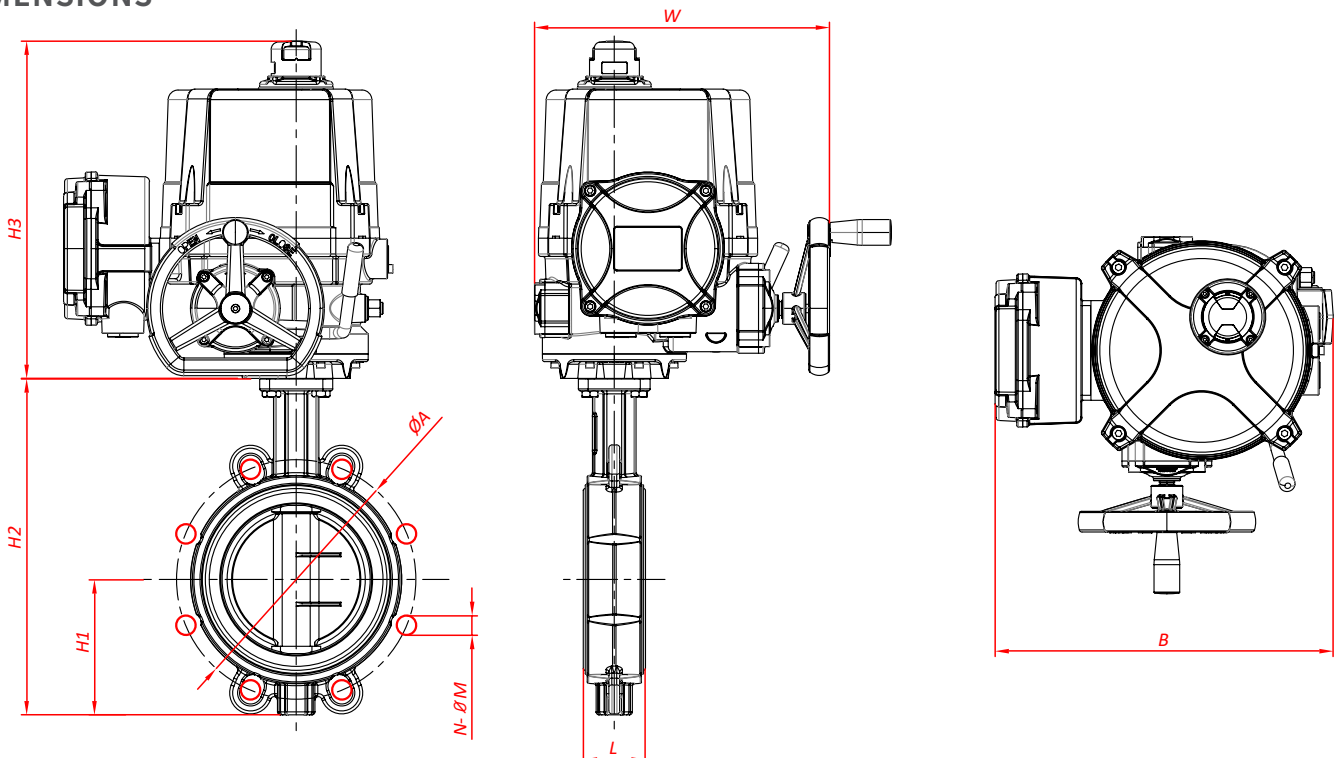
**PO8-WQ-G : REGULATING TYPE**

**FEATURES**

- Protection IP67 Nema 4 and 6
- Optionnal Explosion-proof type Exd II CT5
- Position Indicator on the top
- Epoxy polyester powder coating on alu-alloy shell
- Integrated declutchable gear for manual override
- Torque switch and Limit Switch 2x SPDT ON/OFF
- Proportionally Open the valve in position 0° to 90° according to digital signal 4-20mA, and feedback 4-20mA position signal
- Support multiple voltage designs includes: Single Phase: 24V、110V、220V、230V、240V 50/60Hz/ 3-Phases: 220V、380V、415V、440V 50/60Hz / DC24V



**DIMENSIONS**



### PO8-WQ-G : REGULATING TYPE

#### DIMENSIONS OF MOTORIZED BUTTERFLY VALVE WITH POQ ACTUATOR IN RATING PN10

PN10 PRESSURE RATING	Size	L	GB standard (PN10)		H1	H2	H3	W	B	POQ Model
			ΦA	N-M						
			DN25	33						
DN32	33	100	4-16	46	94	280	218	266	POQ-006G	
DN40	33	110	4-16	53	94	280	218	266	POQ-006G	
DN50	42	125	4-16	55	140	280	218	266	POQ-006G	
DN65	44	145	4-16	64	153	280	218	266	POQ-006G	
DN80	44	160	8-16	73	159	280	218	266	POQ-006G	
DN100	50	180	8-16	88	182	280	218	266	POQ-010G	
DN125	56	210	8-16	102	190	316	286	315	POQ-016G	
DN150	56	240	8-20	115	203	316	286	315	POQ-016G	
DN200	60	295	8-20	145	245	316	286	315	POQ-030G	
DN250	68	350	12-20	184	273	341	299	333	POQ-050G	
DN300	78	400	12-20	207	311	341	299	333	POQ-060G	
DN350	78	460	16-20	247	363	415	336	439	POQ-100G	
DN400	102	515	16-24	275	375	415	336	439	POQ-130G	
DN450	114	565	20-24	307	406	458	382	478	POQ-170G	
DN500	127	620	20-24	330	438	458	382	478	POQ-230G	

#### DIMENSIONS OF MOTORIZED BUTTERFLY VALVE WITH POQ ACTUATOR IN RATING PN16

PN16 PRESSURE RATING	Size	L	GB standard (PN16)		H1	H2	H3	W	B	POQ Model
			ΦA	N-M						
			DN25	33						
DN32	33	100	4-16	46	94	280	218	266	POQ-006G	
DN40	33	110	4-16	53	94	280	218	266	POQ-006G	
DN50	42	125	4-16	55	140	280	218	266	POQ-006G	
DN65	44	145	4-16	64	153	280	218	266	POQ-006G	
DN80	44	160	8-16	73	159	280	218	266	POQ-006G	
DN100	50	180	8-16	88	182	280	218	266	POQ-010G	
DN125	56	210	8-16	102	190	316	286	315	POQ-016G	
DN150	56	240	8-20	115	203	316	286	315	POQ-016G	
DN200	60	295	12-20	145	245	316	286	315	POQ-030G	
DN250	68	355	12-24	184	273	341	299	333	POQ-050G	
DN300	78	410	12-24	207	311	341	299	333	POQ-060G	
DN350	78	470	16-24	247	363	415	336	439	POQ-100G	
DN400	102	525	16-27	275	375	415	336	439	POQ-130G	
DN450	114	585	20-27	307	406	458	382	478	POQ-170G	
DN500	127	650	20-30	330	438	458	382	478	POQ-230G	



### PO8-WQ-G : REGULATING TYPE

#### DIMENSIONS OF MOTORIZED BUTTERFLY VALVE WITH POQ ACTUATOR IN RATING CLASS 150LBS

CLASS 150LBS PRESSURE RATING	Size	L	ANSI standard (CLASS 150LBS)		H1	H2	H3	W	B	POQ Model
			ΦA	N-M						
			DN25	33						
DN32	33	88.9	4-14	46	94	280	218	266	POQ-006G	
DN40	33	98.5	4-14	53	94	280	218	266	POQ-006G	
DN50	42	120.7	4-16	55	140	280	218	266	POQ-006G	
DN65	44	139.7	4-16	64	153	280	218	266	POQ-006G	
DN80	44	152.4	4-16	73	159	280	218	266	POQ-006G	
DN100	50	190.5	8-16	88	182	280	218	266	POQ-010G	
DN125	56	215.9	8-20	102	190	316	286	315	POQ-016G	
DN150	56	241.3	8-20	115	203	316	286	315	POQ-016G	
DN200	60	298.5	8-20	145	245	316	286	315	POQ-030G	
DN250	68	362	12-24	184	273	341	299	333	POQ-050G	
DN300	78	431.8	12-24	207	311	341	299	333	POQ-060G	
DN350	78	476.3	12-27	247	363	415	336	439	POQ-100G	
DN400	102	539.8	16-27	275	375	415	336	439	POQ-130G	
DN450	114	577.9	16-30	307	406	458	382	478	POQ-170G	
DN500	127	635	20-30	330	438	458	382	478	POQ-230G	

#### DIMENSIONS OF MOTORIZED BUTTERFLY VALVE WITH POQ ACTUATOR IN RATING JIS5K

JIS5K PRESSURE RATING	Size	L	JIS standard (JIS5K)		H1	H2	H3	W	B	POQ Model
			ΦA	N-M						
			DN25	33						
DN32	33	90	4-12	46	94	280	218	266	POQ-006G	
DN40	33	95	4-12	53	94	280	218	266	POQ-006G	
DN50	42	105	4-12	55	140	280	218	266	POQ-006G	
DN65	44	130	4-12	64	153	280	218	266	POQ-006G	
DN80	44	145	4-16	73	159	280	218	266	POQ-006G	
DN100	50	165	8-16	88	182	280	218	266	POQ-010G	
DN125	56	200	8-16	102	190	316	286	315	POQ-016G	
DN150	56	230	8-16	115	203	316	286	315	POQ-016G	
DN200	60	280	8-20	145	245	316	286	315	POQ-030G	
DN250	68	345	12-20	184	273	341	299	333	POQ-050G	
DN300	78	390	12-20	207	311	341	299	333	POQ-060G	
DN350	78	435	12-22	247	363	415	336	439	POQ-100G	
DN400	102	495	16-22	275	375	415	336	439	POQ-130G	
DN450	114	555	16-22	307	406	458	382	478	POQ-170G	
DN500	127	605	20-22	330	438	458	382	478	POQ-230G	

**PO8-WQ-G :  
REGULATING TYPE**

**DIMENSIONS OF MOTORIZED BUTTERFLY VALVE WITH POQ ACTUATOR IN RATING JIS10K**

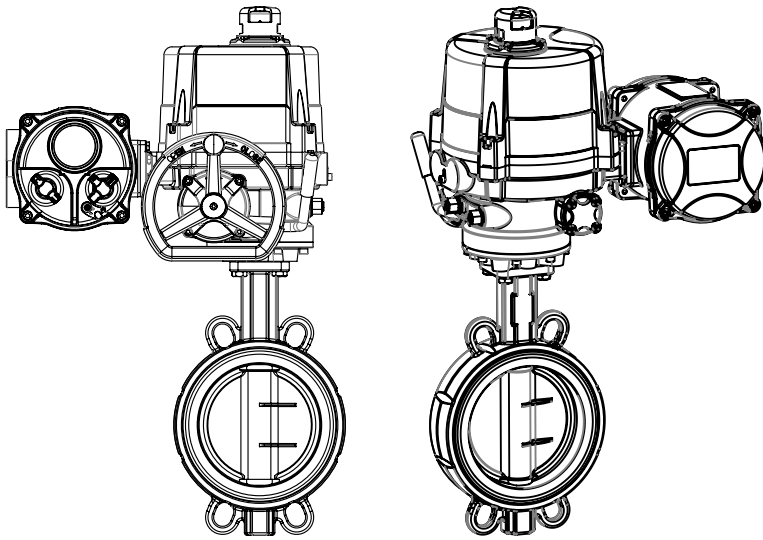
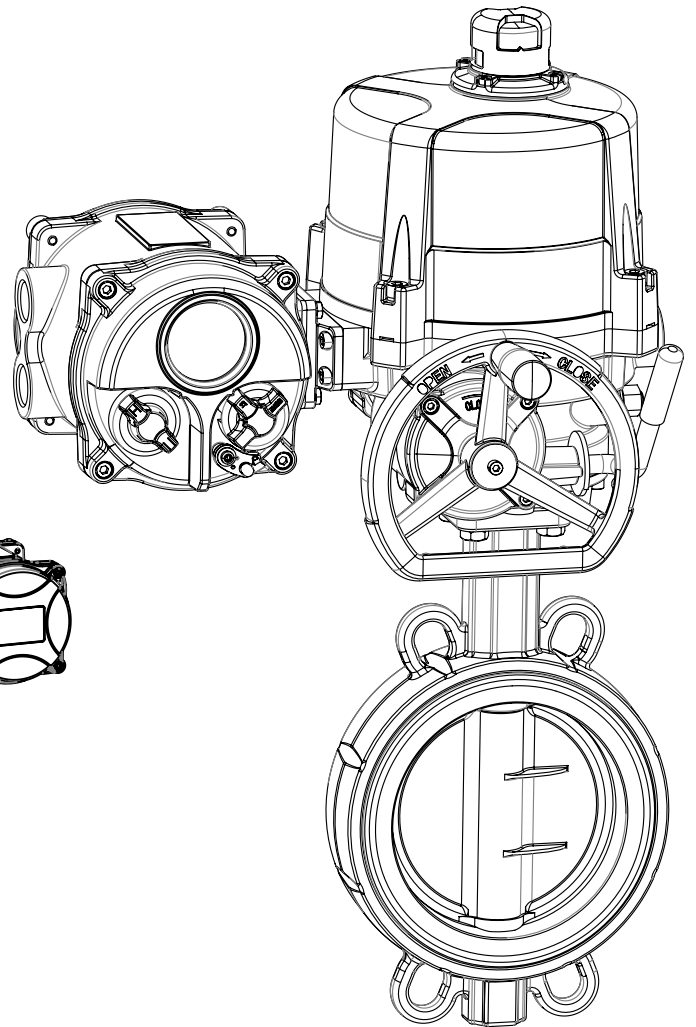
	Size	L	JIS standard (JIS 10K)		H1	H2	H3	W	B	POQ Model
			ΦA	N-M						
			JIS 10K PRESSURE RATING	DN25						
DN32	33	100		4-16	46	94	280	218	266	POQ-006G
DN40	33	105		4-16	53	94	280	218	266	POQ-006G
DN50	42	120		4-16	55	140	280	218	266	POQ-006G
DN65	44	140		4-16	64	153	280	218	266	POQ-006G
DN80	44	150		8-16	73	159	280	218	266	POQ-006G
DN100	50	175		8-16	88	182	280	218	266	POQ-010G
DN125	56	210		8-20	102	190	316	286	315	POQ-016G
DN150	56	240		8-20	115	203	316	286	315	POQ-016G
DN200	60	290		12-20	145	245	316	286	315	POQ-030G
DN250	68	355		12-22	184	273	341	299	333	POQ-050G
DN300	78	400		16-22	207	311	341	299	333	POQ-060G
DN350	78	445		16-22	247	363	415	336	439	POQ-100G
DN400	102	510		16-24	275	375	415	336	439	POQ-130G
DN450	114	565		20-24	307	406	458	382	478	POQ-170G
DN500	127	620	20-24	330	438	458	382	478	POQ-230G	

**PO8-WQ Series:  
MOTORIZED BUTTERFLY VALVE WITH POQ HIGH-PERFORMANCE ACTUATOR**

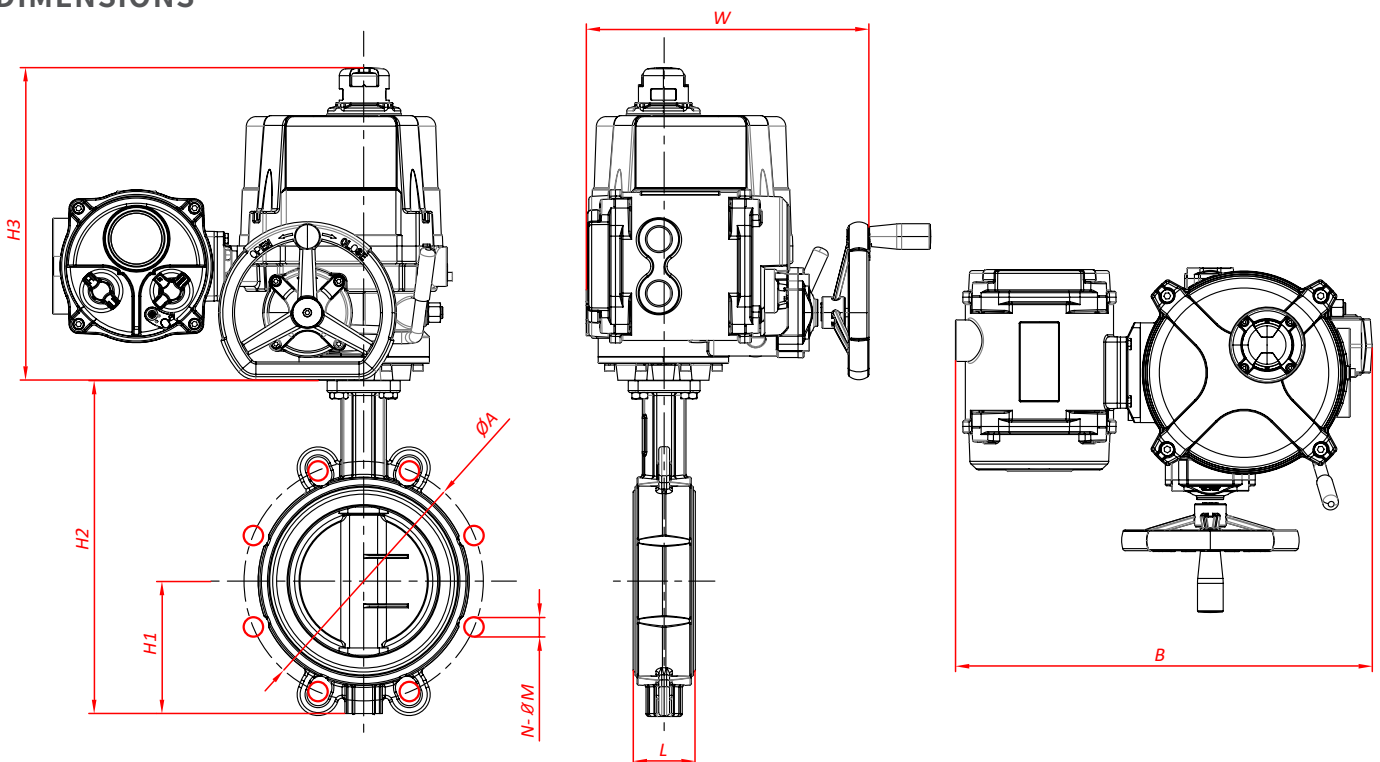
**PO8-WQ-Y : INTELLIGENT INTEGRATED TYPE**

**FEATURES**

- Protection IP67 Nema 4 and 6
- Optionnal Explosion-proof type Exd II CT5
- Position Indicator on the top
- Epoxy polyester powder coating on alu-alloy shell
- Integrated declutchable gear for manual override
- ON-OPEN Type or Regulating Type Control Way
- Non-intrusive type, LED screen, Control button, Local/Remote Control, Mechanical Torque switch,
- Support multiple voltage designs includes: Single Phase: 24V, 110V, 220V, 230V, 240V 50/60Hz/ 3-Phases: 220V, 380V, 415V, 440V 50/60Hz / DC24V



**DIMENSIONS**



### PO8-WQ-Y : INTELLIGENT INTEGRATED TYPE

#### DIMENSIONS OF MOTORIZED BUTTERFLY VALVE WITH POQ ACTUATOR IN RATING PN10

PN10 PRESSURE RATING	Size	L	GB standard (PN10)		H1	H2	H3	W	B	POQ Model
			ΦA	N-M						
			DN25	33						
DN32	33	100	4-16	46	94	280	244	356	POQ-006Y	
DN40	33	110	4-16	53	94	280	244	356	POQ-006Y	
DN50	42	125	4-16	55	140	280	244	356	POQ-006Y	
DN65	44	145	4-16	64	153	280	244	356	POQ-006Y	
DN80	44	160	8-16	73	159	280	244	356	POQ-006Y	
DN100	50	180	8-16	88	182	280	244	356	POQ-010Y	
DN125	56	210	8-16	102	190	316	286	405	POQ-016Y	
DN150	56	240	8-20	115	203	316	286	405	POQ-016Y	
DN200	60	295	8-20	145	245	341	299	423	POQ-030Y	
DN250	68	350	12-20	184	273	341	299	423	POQ-050Y	
DN300	78	400	12-20	207	311	341	299	423	POQ-060Y	
DN350	78	460	16-20	247	363	415	336	529	POQ-100Y	
DN400	102	515	16-24	275	375	415	336	529	POQ-130Y	
DN450	114	565	20-24	307	406	458	382	568	POQ-170Y	
DN500	127	620	20-24	330	438	458	382	568	POQ-230Y	

#### DIMENSIONS OF MOTORIZED BUTTERFLY VALVE WITH POQ ACTUATOR IN RATING PN16

PN16 PRESSURE RATING	Size	L	GB standard (PN16)		H1	H2	H3	W	B	POQ Model
			ΦA	N-M						
			DN25	33						
DN32	33	100	4-16	46	94	280	244	356	POQ-006Y	
DN40	33	110	4-16	53	94	280	244	356	POQ-006Y	
DN50	42	125	4-16	55	140	280	244	356	POQ-006Y	
DN65	44	145	4-16	64	153	280	244	356	POQ-006Y	
DN80	44	160	8-16	73	159	280	244	356	POQ-006Y	
DN100	50	180	8-16	88	182	280	244	356	POQ-010Y	
DN125	56	210	8-16	102	190	316	286	405	POQ-016Y	
DN150	56	240	8-20	115	203	316	286	405	POQ-016Y	
DN200	60	295	12-20	145	245	341	299	423	POQ-030Y	
DN250	68	355	12-24	184	273	341	299	423	POQ-050Y	
DN300	78	410	12-24	207	311	341	299	423	POQ-060Y	
DN350	78	470	16-24	247	363	415	336	529	POQ-100Y	
DN400	102	525	16-27	275	375	415	336	529	POQ-130Y	
DN450	114	585	20-27	307	406	458	382	568	POQ-170Y	
DN500	127	650	20-30	330	438	458	382	568	POQ-230Y	

**PO8-WQ-Y :  
INTELLIGENT INTEGRATED TYPE**
**DIMENSIONS OF MOTORIZED BUTTERFLY VALVE WITH POQ ACTUATOR IN RATING CLASS 150LBS**

CLASS 150LBS PRESSURE RATING	Size	L	ANSI standard (CLASS 150LBS)		H1	H2	H3	W	B	POQ Model
			ΦA	N-M						
	DN25	33	79.5	4-14	46	94	280	244	356	POQ-006Y
	DN32	33	88.9	4-14	46	94	280	244	356	POQ-006Y
	DN40	33	98.5	4-14	53	94	280	244	356	POQ-006Y
	DN50	42	120.7	4-16	55	140	280	244	356	POQ-006Y
	DN65	44	139.7	4-16	64	153	280	244	356	POQ-006Y
	DN80	44	152.4	4-16	73	159	280	244	356	POQ-006Y
	DN100	50	190.5	8-16	88	182	280	244	356	POQ-010Y
	DN125	56	215.9	8-20	102	190	316	286	405	POQ-016Y
	DN150	56	241.3	8-20	115	203	316	286	405	POQ-016Y
	DN200	60	298.5	8-20	145	245	341	299	423	POQ-030Y
	DN250	68	362	12-24	184	273	341	299	423	POQ-050Y
	DN300	78	431.8	12-24	207	311	341	299	423	POQ-060Y
	DN350	78	476.3	12-27	247	363	415	336	529	POQ-100Y
DN400	102	539.8	16-27	275	375	415	336	529	POQ-130Y	
DN450	114	577.9	16-30	307	406	458	382	568	POQ-170Y	
DN500	127	635	20-30	330	438	458	382	568	POQ-230Y	

**DIMENSIONS OF MOTORIZED BUTTERFLY VALVE WITH POQ ACTUATOR IN RATING JIS5K**

JIS5K PRESSURE RATING	Size	L	JIS standard (JIS5K)		H1	H2	H3	W	B	POQ Model
			ΦA	N-M						
	DN25	33	75	4-10	46	94	280	244	356	POQ-006Y
	DN32	33	90	4-12	46	94	280	244	356	POQ-006Y
	DN40	33	95	4-12	53	94	280	244	356	POQ-006Y
	DN50	42	105	4-12	55	140	280	244	356	POQ-006Y
	DN65	44	130	4-12	64	153	280	244	356	POQ-006Y
	DN80	44	145	4-16	73	159	280	244	356	POQ-006Y
	DN100	50	165	8-16	88	182	280	244	356	POQ-010Y
	DN125	56	200	8-16	102	190	316	286	405	POQ-016Y
	DN150	56	230	8-16	115	203	316	286	405	POQ-016Y
	DN200	60	280	8-20	145	245	341	299	423	POQ-030Y
	DN250	68	345	12-20	184	273	341	299	423	POQ-050Y
	DN300	78	390	12-20	207	311	341	299	423	POQ-060Y
	DN350	78	435	12-22	247	363	415	336	529	POQ-100Y
DN400	102	495	16-22	275	375	415	336	529	POQ-130Y	
DN450	114	555	16-22	307	406	458	382	568	POQ-170Y	
DN500	127	605	20-22	330	438	458	382	568	POQ-230Y	

**PO8-WQ-Y :**  
**INTELLIGENT INTEGRATED TYPE**
**DIMENSIONS OF MOTORIZED BUTTERFLY VALVE WITH POQ ACTUATOR IN RATING JIS10K**

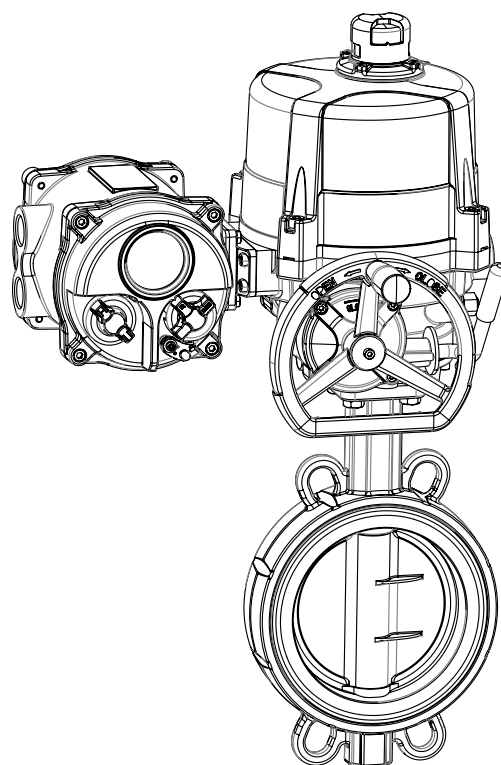
	Size	L	JIS standard (JIS 10K)		H1	H2	H3	W	B	POQ Model
			ΦA	N-M						
			JIS 10K PRESSURE RATING	DN25						
DN32	33	100		4-16	46	94	280	244	356	POQ-006Y
DN40	33	105		4-16	53	94	280	244	356	POQ-006Y
DN50	42	120		4-16	55	140	280	244	356	POQ-006Y
DN65	44	140		4-16	64	153	280	244	356	POQ-006Y
DN80	44	150		8-16	73	159	280	244	356	POQ-006Y
DN100	50	175		8-16	88	182	280	244	356	POQ-010Y
DN125	56	210		8-20	102	190	316	286	405	POQ-016Y
DN150	56	240		8-20	115	203	316	286	405	POQ-016Y
DN200	60	290		12-20	145	245	341	299	423	POQ-030Y
DN250	68	355		12-22	184	273	341	299	423	POQ-050Y
DN300	78	400		16-22	207	311	341	299	423	POQ-060Y
DN350	78	445		16-22	247	363	415	336	529	POQ-100Y
DN400	102	510		16-24	275	375	415	336	529	POQ-130Y
DN450	114	565		20-24	307	406	458	382	568	POQ-170Y
DN500	127	620	20-24	330	438	458	382	568	POQ-230Y	

## PO8-WQ Series: MOTORIZED BUTTERFLY VALVE WITH POQ HIGH-PERFORMANCE ACTUATOR

### PO8-WQ-S : SUPER INTELLIGENT TYPE

#### FEATURES

- Protection IP67 Nema 4 and 6
- Optionnal Explosion-proof type Exd II CT5
- Position Indicator on the top
- Epoxy polyester powder coating on alu-alloy shell
- Integrated declutchable gear for manual override
- ON-OPEN Type or Regulating Type Control Way
- Non-intrusive type, LED screen, Control button, Local/Remote Control, Mechanical Torque switch, Class I Menu
- Support multiple voltage designs includes: Single Phase: 24V、110V、220V、230V、240V 50/60Hz/ 3-Phases: 220V、380V、415V、440V 50/60Hz / DC24V

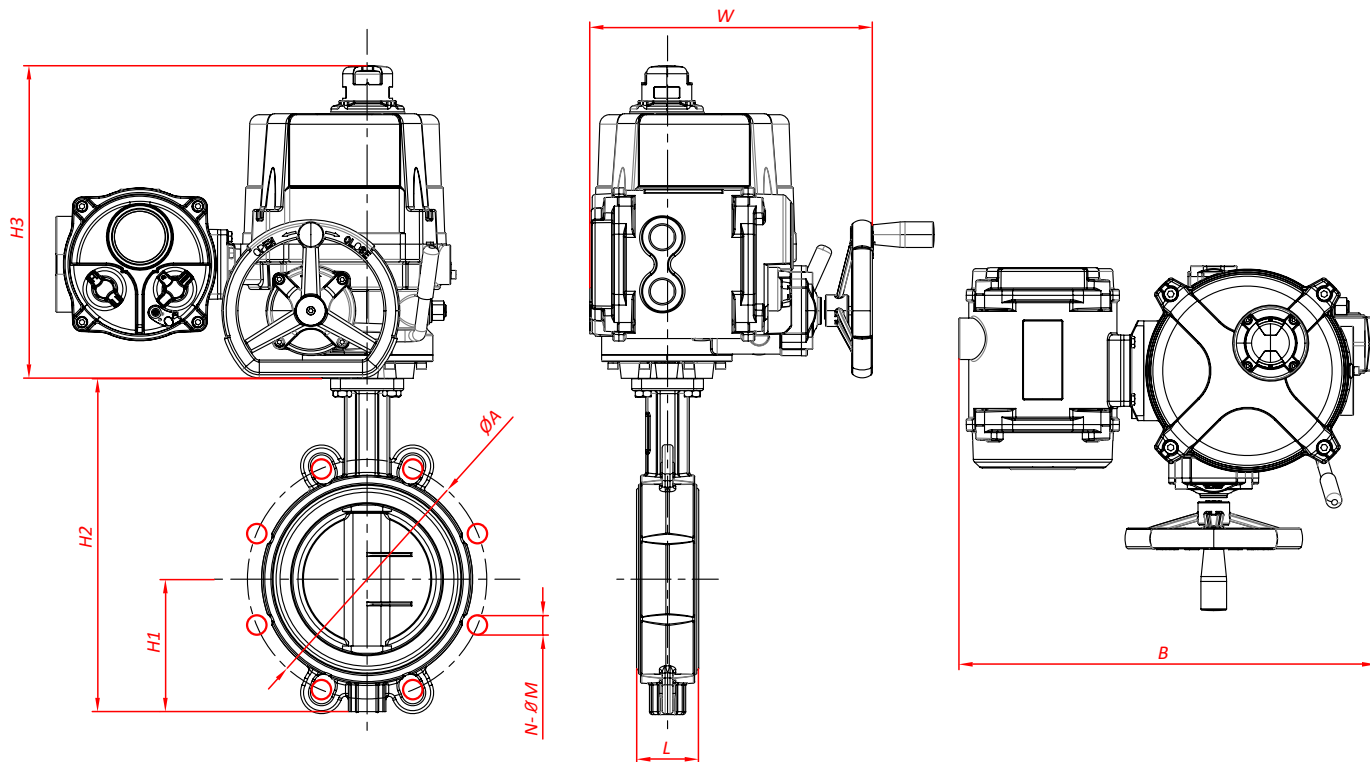


#### FUNCTIONS

ESD	Equiped with ESD Function
TERMINALS	6 Terminals for Output signal, available for alarming, Open position, Close position, Over-torques and so on, which more 15 options can be reset with 5 terminals. Optional 4 bistable output contacts
BATTERY	Optional battery support, that is, after the main power supply is powered off, the control system can be awakened.
BLUETOOTH	Optional Bluetooth communication function to realize mobile phone on-site debugging and data download
INTERMITTENT OPERATION	It has the function of intermittent operation to stop the pipeline surge
SETTING MENU	The setting menu includes three levels: basic setting, feedback setting and advanced setting, with independent password protection
DATA RECORD	Optional data recording function, which can access the operation times, operation frequency, operation statistics, alarm records and other data of the actuator
FAULT DIAGNOSIS	With fault diagnosis function, it can diagnose 9 external signals
ELECTRONIC OVER-TORQUE PROTECTION	Optional electronic torque protection, no mechanical contact, good repeatability, torque protection value 30 ~ 100% can be set
LED SCREEN	The dot matrix LCD display screen is adopted, and the display language can be Chinese, English and Russian, with necessary graphics. The human-computer interaction interface is simple, intuitive, more humanized, convenient for debugging, and easy to use.

**PO8-WQ-S :  
SUPER INTELLIGENT TYPE**

**DIMENSIONS**



**DIMENSIONS OF MOTORIZED BUTTERFLY VALVE WITH POQ ACTUATOR IN RATING PN10**

	Size	L	GB standard (PN10)		H1	H2	H3	W	B	POQ Model
			ØA	N-M						
PN10 PRESSURE RATING	DN25	33	85	4-12	46	94	280	266	377	POQ-006S
	DN32	33	100	4-16	46	94	280	266	377	POQ-006S
	DN40	33	110	4-16	53	94	280	266	377	POQ-006S
	DN50	42	125	4-16	55	140	280	266	377	POQ-006S
	DN65	44	145	4-16	64	153	280	266	377	POQ-006S
	DN80	44	160	8-16	73	159	280	266	377	POQ-006S
	DN100	50	180	8-16	88	182	280	266	377	POQ-010S
	DN125	56	210	8-16	102	190	336	307	426	POQ-016S
	DN150	56	240	8-20	115	203	336	307	426	POQ-016S
	DN200	60	295	8-20	145	245	341	311	444	POQ-030S
	DN250	68	350	12-20	184	273	341	311	444	POQ-050S
	DN300	78	400	12-20	207	311	341	311	444	POQ-060S
	DN350	78	460	16-20	247	363	415	336	550	POQ-100S
	DN400	102	515	16-24	275	375	415	336	550	POQ-130S
	DN450	114	565	20-24	307	406	458	382	589	POQ-170S
DN500	127	620	20-24	330	438	458	382	589	POQ-230S	



### PO8-WQ-S : SUPER INTELLIGENT TYPE

#### DIMENSIONS OF MOTORIZED BUTTERFLY VALVE WITH POQ ACTUATOR IN RATING PN16

PN16 PRESSURE RATING	Size	L	GB standard (PN16)		H1	H2	H3	W	B	POQ Model
			ΦA	N-M						
			DN25	33						
DN32	33	100	4-16	46	94	280	266	377	POQ-006S	
DN40	33	110	4-16	53	94	280	266	377	POQ-006S	
DN50	42	125	4-16	55	140	280	266	377	POQ-006S	
DN65	44	145	4-16	64	153	280	266	377	POQ-006S	
DN80	44	160	8-16	73	159	280	266	377	POQ-006S	
DN100	50	180	8-16	88	182	280	266	377	POQ-010S	
DN125	56	210	8-16	102	190	336	307	426	POQ-016S	
DN150	56	240	8-20	115	203	336	307	426	POQ-016S	
DN200	60	295	12-20	145	245	341	311	444	POQ-030S	
DN250	68	355	12-24	184	273	341	311	444	POQ-050S	
DN300	78	410	12-24	207	311	341	311	444	POQ-060S	
DN350	78	470	16-24	247	363	415	336	550	POQ-100S	
DN400	102	525	16-27	275	375	415	336	550	POQ-130S	
DN450	114	585	20-27	307	406	458	382	589	POQ-170S	
DN500	127	650	20-30	330	438	458	382	589	POQ-230S	

#### DIMENSIONS OF MOTORIZED BUTTERFLY VALVE WITH POQ ACTUATOR IN RATING CLASS 150LBS

CLASS 150LBS PRESSURE RATING	Size	L	ANSI standard (CLASS 150LBS)		H1	H2	H3	W	B	POQ Model
			ΦA	N-M						
			DN25	33						
DN32	33	88.9	4-14	46	94	280	266	377	POQ-006S	
DN40	33	98.5	4-14	53	94	280	266	377	POQ-006S	
DN50	42	120.7	4-16	55	140	280	266	377	POQ-006S	
DN65	44	139.7	4-16	64	153	280	266	377	POQ-006S	
DN80	44	152.4	4-16	73	159	280	266	377	POQ-006S	
DN100	50	190.5	8-16	88	182	280	266	377	POQ-010S	
DN125	56	215.9	8-20	102	190	336	307	426	POQ-016S	
DN150	56	241.3	8-20	115	203	336	307	426	POQ-016S	
DN200	60	298.5	8-20	145	245	341	311	444	POQ-030S	
DN250	68	362	12-24	184	273	341	311	444	POQ-050S	
DN300	78	431.8	12-24	207	311	341	311	444	POQ-060S	
DN350	78	476.3	12-27	247	363	415	336	550	POQ-100S	
DN400	102	539.8	16-27	275	375	415	336	550	POQ-130S	
DN450	114	577.9	16-30	307	406	458	382	589	POQ-170S	
DN500	127	635	20-30	330	438	458	382	589	POQ-230S	

### PO8-WQ-S : SUPER INTELLIGENT TYPE

#### DIMENSIONS OF MOTORIZED BUTTERFLY VALVE WITH POQ ACTUATOR IN RATING JIS5K

JIS5K PRESSURE RATING	Size	L	JIS standard (JIS5K)		H1	H2	H3	W	B	POQ Model
			φA	N-M						
			DN25	33						
DN32	33	90	4-12	46	94	280	266	377	POQ-006S	
DN40	33	95	4-12	53	94	280	266	377	POQ-006S	
DN50	42	105	4-12	55	140	280	266	377	POQ-006S	
DN65	44	130	4-12	64	153	280	266	377	POQ-006S	
DN80	44	145	4-16	73	159	280	266	377	POQ-006S	
DN100	50	165	8-16	88	182	280	266	377	POQ-010S	
DN125	56	200	8-16	102	190	336	307	426	POQ-016S	
DN150	56	230	8-16	115	203	336	307	426	POQ-016S	
DN200	60	280	8-20	145	245	341	311	444	POQ-030S	
DN250	68	345	12-20	184	273	341	311	444	POQ-050S	
DN300	78	390	12-20	207	311	341	311	444	POQ-060S	
DN350	78	435	12-22	247	363	415	336	550	POQ-100S	
DN400	102	495	16-22	275	375	415	336	550	POQ-130S	
DN450	114	555	16-22	307	406	458	382	589	POQ-170S	
DN500	127	605	20-22	330	438	458	382	589	POQ-230S	

#### DIMENSIONS OF MOTORIZED BUTTERFLY VALVE WITH POQ ACTUATOR IN RATING JIS10K

JIS 10K PRESSURE RATING	Size	L	JIS standard (JIS 10K)		H1	H2	H3	W	B	POQ Model
			φA	N-M						
			DN25	33						
DN32	33	100	4-16	46	94	280	266	377	POQ-006S	
DN40	33	105	4-16	53	94	280	266	377	POQ-006S	
DN50	42	120	4-16	55	140	280	266	377	POQ-006S	
DN65	44	140	4-16	64	153	280	266	377	POQ-006S	
DN80	44	150	8-16	73	159	280	266	377	POQ-006S	
DN100	50	175	8-16	88	182	280	266	377	POQ-010S	
DN125	56	210	8-20	102	190	336	307	426	POQ-016S	
DN150	56	240	8-20	115	203	336	307	426	POQ-016S	
DN200	60	290	12-20	145	245	341	311	444	POQ-030S	
DN250	68	355	12-22	184	273	341	311	444	POQ-050S	
DN300	78	400	16-22	207	311	341	311	444	POQ-060S	
DN350	78	445	16-22	247	363	415	336	550	POQ-100S	
DN400	102	510	16-24	275	375	415	336	550	POQ-130S	
DN450	114	565	20-24	307	406	458	382	589	POQ-170S	
DN500	127	620	20-24	330	438	458	382	589	POQ-230S	

## PO8-W SERIES: WAFFER TYPE SOFT SEATED BUTTERFLY VALVE

### PO8-WZ Series: MOTORIZED BUTTERFLY VALVE WITH MUTIL-TURNS ACTUATOR

#### DESCRIPTION

The POZ Multi-turns electric actuator has a variety of forms and functions, and outputs large torque through the gearbox reducer. There is a variety of selection includes Outdoor type, Flameproof type, Intergration type, Integration flameproof type/integration adjusting and flameproof type.

For its operation functions, it include:

1. Common ON-OFF type
2. Integral Regulating type
3. Intelligent ON-OFF/Regulating type

We are also available with other brands of Multi- turns electric actuator, such as Flowinn, Chuanyi, ABB, AUMA and so on. Consult POV for more information

#### FEATURES

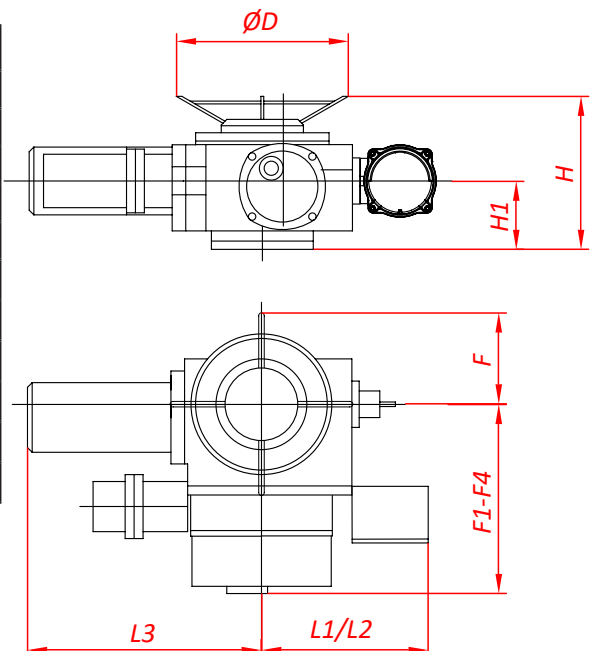
- A. Protection grade: IP55(IP65 or IP67 is optional)
- B. Explosion-proof Optional:  
The explosion-proof grade is explosion-proof Exd II BT4, which is applicable to other explosive mixtures of IIA and IIB, T1~T4 in explosive environments.
- C. Power supply:  
Standard type: 220V/50hz; 380V/50Hz/3-Phs  
24VDC (remote control)  
Special type: 3-Phs/ 660V or 415V (50Hz or 60Hz);  
1-Phs/ 220V or 110V (50Hz or 60 Hz)
- D. Work time: 10 minutes of short-time duty.  
(Optional: 15-60Minutes)
- E. Working temperature: -20~ +60°C
- F. Optional functions: Torque switches, Limit switches,  
Space heater, Remote/Local control knob



#### POZ MULTI-TURNS ELECTRIC ACTUATOR DIMENSIONS

Model	POZ-020	POZ-030	POZ-045	POZ-060	POZ-090	POZ-0120
H	316	316	415	415	453	453
H1	130	130	195	195	195	195
L1	200	200	277	277	281	281
L2	238	238	277	277	281	281
L3	295	295	394	394	412	412
F	200	200	230	230	278	278
F1	255	255	275	275	310	310
F2	317	317	391	391	426	426
F3	349	349	369	369	404	404
F4	374	374	394	394	429	429
φ D	400	400	460	460	556	556

Note:  
 1. Dimension L1 for Outdoor type / Explosion- proof type  
 Dimension L2 for Intergration type / Integration flameproof type  
 2. Dimension F1 for Outdoor type, F2 for Explosion- proof type, F3 for Intergration type,  
 F4 for Integration flameproof type / Integration flameproof intelligent type.



### PO8-WZ Series: MOTORIZED BUTTERFLY VALVE WITH MUTIL-TURNS ACTUATOR

#### ORDERING CODE

PO 8 9 7   - 1       - W Z

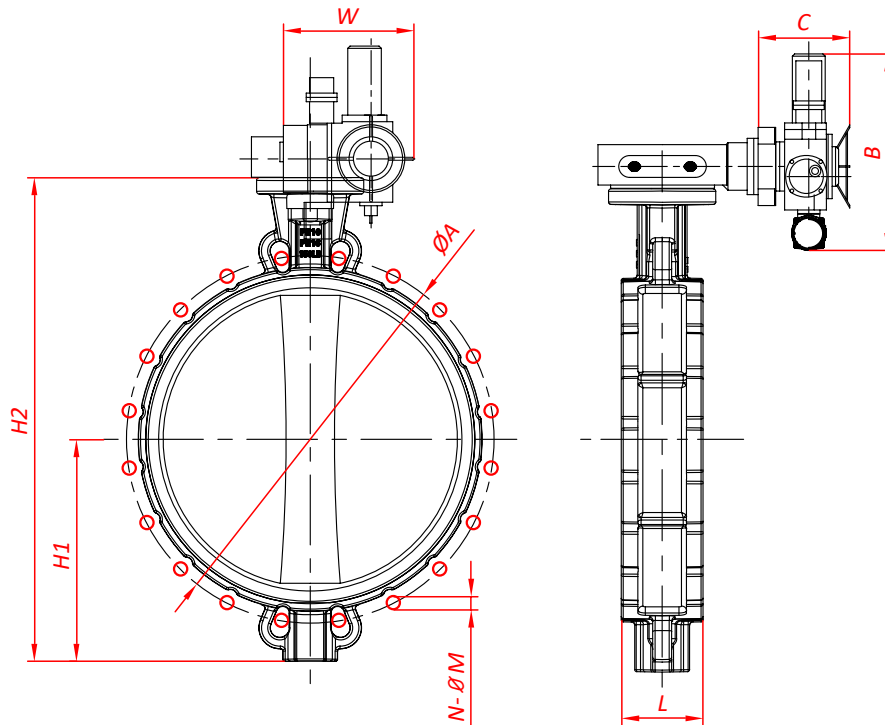
Seal Material	
2	EPDM
3	NBR
4	PTFE
V	VITON
H	HYPALON
Q	SILICON RUBBER
P	POLYURETHANE
F	Others

Body Material	
2	Ductile Cast Iron
3	A216 WCB
A	A351 CF8 / SS304
B	A351 CF8M / SS316
C	A351 CF3M / SS316L
E	Duplex S.S. 2205
F	Others

Disc Material	
2	DI c/w Nickel Coated
3	A216 WCB
A	A351 CF8 / SS304
B	A351 CF8M / SS316
C	A351 CF3M / SS316L
D	Duplex S.S. 2507
E	Duplex S.S. 2205
G	Super S.S. 1.4529
K	B148 C95400
N	B148 C95800
H	Halar Coated
R	Rubber Coated
L	Nylon Coated
F	Others

Pressure Rating	
2	PN10
3	PN16
A	CLASS150LB
E	JIS 5K
F	JIS 10K

#### DIMENSIONS



#### DIMENSIONS OF MOTORIZED BUTTERFLY VALVE WITH MUTIL-TURNS ACTUATOR IN RATING PN10

PN10 PRESSURE RATING	Size	L	GB standard (PN10)		H1	H2	W	B	C	POZ Model
			ØA	N-M						
			DN450	114						
DN500	127	620	20-24	330	438	316	533	549	POZ-030	
DN600	151	725	20-27	400	519	415	671	599	POZ-045	
DN700	163	840	24-27	520	624	415	671	599	POZ-060	
DN800	190	950	24-30	591	672	453	693	682	POZ-090	
DN900	203	1050	28-30	656	720	453	693	682	POZ-090	
DN1000	216	1160	28-33	722	800	453	693	682	POZ-120	

### PO8-WZ Series: MOTORIZED BUTTERFLY VALVE WITH MUTIL-TURNS ACTUATOR

#### DIMENSIONS OF MOTORIZED BUTTERFLY VALVE WITH MUTIL-TURNS ACTUATOR IN RATING PN16

PN16 PRESSURE RATING	Size	L	GB standard (PN16)		H1	H2	W	B	C	POZ Model
			ΦA	N-M						
			DN450	114						
DN500	127	650	20-30	330	438	316	533	549	POZ-030	
DN600	151	770	20-33	400	519	415	671	599	POZ-045	
DN700	163	840	24-33	520	624	415	671	599	POZ-060	
DN800	190	950	24-36	591	672	453	693	682	POZ-090	
DN900	203	1050	28-36	656	720	453	693	682	POZ-090	
DN1000	216	1170	28-39	722	800	453	693	682	POZ-120	

#### DIMENSIONS OF MOTORIZED BUTTERFLY VALVE WITH MUTIL-TURNS ACTUATOR IN RATING CL. 150LBS

CLASS 150LBS PRESSURE RATING	Size	L	ANSI standard (CLASS 150LBS)		H1	H2	W	B	C	POZ Model
			ΦA	N-M						
			DN450	114						
DN500	127	635	20-30	330	438	316	533	549	POZ-030	
DN600	151	749.3	20-33	400	519	415	671	599	POZ-045	
DN700	163	863.6	28-33	520	624	415	671	599	POZ-060	
DN800	190	977.9	28-39	591	672	453	693	682	POZ-090	
DN900	203	1085.8	32-39	656	720	453	693	682	POZ-090	
DN1000	216	1200.2	36-39	722	800	453	693	682	POZ-120	

#### DIMENSIONS OF MOTORIZED BUTTERFLY VALVE WITH MUTIL-TURNS ACTUATOR IN RATING JIS5K

JIS5K PRESSURE RATING	Size	L	JIS standard (JIS 5K)		H1	H2	W	B	C	POZ Model
			ΦA	N-M						
			DN450	114						
DN500	127	605	20-22	330	438	316	533	549	POZ-030	
DN600	151	715	20-24	400	519	415	671	599	POZ-045	
DN700	163	820	24-30	520	624	415	671	599	POZ-060	
DN800	190	930	24-30	591	672	453	693	682	POZ-090	
DN900	203	1030	24-30	656	720	453	693	682	POZ-090	
DN1000	216	1130	28-30	722	800	453	693	682	POZ-120	

#### DIMENSIONS OF MOTORIZED BUTTERFLY VALVE WITH MUTIL-TURNS ACTUATOR IN RATING JIS 10K

JIS 10K PRESSURE RATING	Size	L	JIS standard (JIS 10K)		H1	H2	W	B	C	POZ Model
			ΦA	N-M						
			DN450	114						
DN500	127	620	20-24	330	438	316	533	549	POZ-030	
DN600	151	730	24-30	400	519	415	671	599	POZ-045	
DN700	163	840	24-30	520	624	415	671	599	POZ-060	
DN800	190	950	28-30	591	672	453	693	682	POZ-090	
DN900	203	1050	28-30	656	720	453	693	682	POZ-090	
DN1000	216	1160	28-36	722	800	453	693	682	POZ-120	

## PO8-W SERIES: WAFER TYPE SOFT SEATED BUTTERFLY VALVE

### PO8-WP Series: PNEUMATIC BUTTERFLY VALVE WITH PISTON TYPE ACTUATOR

#### DESCRIPTION

Wafer type Butterfly valves are our POA piston pneumatic actuators driven by compressed gas. The Rack and Pinion in the center of the piston cylinder rotate 90 degrees to drive the valve to open and close.

The design of Rack-and-Pinion with double piston symmetrical structure enables fast and steady action, high precision, high output torque as well as reverse rotation by simply changing the installation position of the piston.

The connection size is design according to NUMAR standard, which can be fit with varous functions of accessories, like limit switch, solenoid valve and positioner. The bottom flange is deisgned to match ISO5211 and DIN3337 standard.

POV Wafer type Butterfly can provide the ON-OFF, Regulating, Emergency shut-off and various complete function, to achieve the client's complicated requirements of pneumatic ball valves.



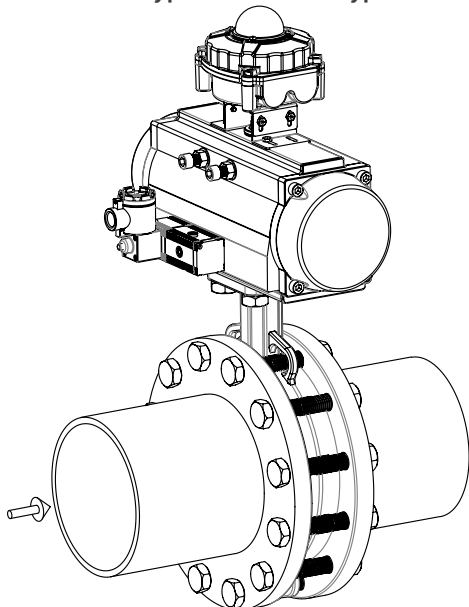
#### ACTUATOR INSTALLATION DIRECTIONS

Pneumatic operated Wafer type Butterfly valves have two types of actuator installation direction options, as below

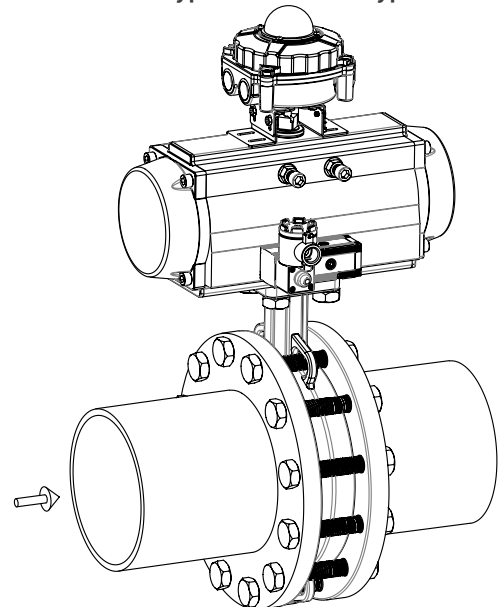
Type A: VERTICAL Type and Type B: PARALLEL Type.

The actuator installation directions can be decided by customer depends on their piep and valve install space limitation.

**Type A: VERTICAL Type**



**Type B: PARALLEL Type**



### PO8-WP Series: PNEUMATIC BUTTERFLY VALVE WITH PISTON TYPE ACTUATOR

#### ACCESSORIES

Type	POV Brand/Model		Other brands options
	Non-Explo.-Proof	Explosion-Proof	
Solenoid Valve	POT521 / POT321	POT521 / POT321	AirTac, ASCO, NORGREN, SMC
Limit Switch	ITS110, APL210N	POH-300B	HKC, WESTLOCK, P+F,
Mechanical Positioner	POT-1000R , POT-1200R	POT-1050R	Rotork YTC, SMC, TISSIN
Intelligent Positioner	Siemens SIPART PS2	Siemens SIPART PS2	SMC, AZBIL, SAMSON, TISSIN, TORLEO
Air Filter Regulator	AFC2000, YT-200, YT-205, YT-230, YT-235		AirTac, Rotork YTC, NORGREN, SMC
Dec clutchable Gear	POD Series		-
Others	Quick Exhaust valve, Silencer, Lock-up valve		

#### ORDERING CODE

PO **8** **6** **7**   - **1**       - **W** **P** -

Seal Material	
2	EPDM
3	NBR
4	PTFE
V	VITON
H	HYPALON
Q	SILICON RUBBER
P	POLYURETHANE
F	Others

Body Material	
2	Ductile Cast Iron
3	A216 WCB
A	A351 CF8 / SS304
B	A351 CF8M / SS316
C	A351 CF3M / SS316L
E	Duplex S.S. 2205
F	Others

Disc Material	
2	DI c/w Nickel Coated
3	A216 WCB
A	A351 CF8 / SS304
B	A351 CF8M / SS316
C	A351 CF3M / SS316L
D	Duplex S.S. 2507
E	Duplex S.S. 2205
G	Super S.S. 1.4529
K	B148 C95400
N	B148 C95800
H	Halar Coated
R	Rubber Coated
L	Nylon Coated
F	Others

Pressure Rating	
2	PN10
3	PN16
A	CLASS150LB
E	JIS 5K
F	JIS 10K

-         -

Actuation Type	
O	Pneumatic Double Acting Common ON-OFF Type
S	Pneumatic Single Acting Emergency Shut-off Type
P	Pneumatic Common ON-OFF Type Explosion-Proof
R	Pneumatic Regulating Type Non-Ex / Explosion-Proof Type
I	Pneumatic Intelligent Regulating Type Non-Ex / Explosion-Proof Type
D	Pneumatic Actuator c/w Manual Override

Acting Type	
D	Double Acting Type
O	Fail Open
C	Fail Close

Explosion-Proof Grade	
0	NA
1	EXd II CT6
2	EXd II CT5
3	EX ia IICT6

Actuator Installation Direction	
A	VERTICAL Type
B	PARALLEL Type

-           -

Accessory	
BLANK	NA
L	Limit Switch

Accessory	
BLANK	NA
S	Solenoid Valve

Accessory	
BLANK	NA
A	Air Set

Accessory	
BLANK	NA
D	Dec clutchable Gear

Accessory	
BLANK	NA
M	Mechanical Positioner
I	Intelligent Positioner

Example: PO8672-12A2-WP-IC0A-AI: Pneumatic Butterfly Valve, Ductile Cast Iron Body, SS304 Disc, EPDM Seat, PN10, with Pneumatic Intelligent Regulating type, Single acting fail close, Vertical type, c/w Air set and Intelligent positioner.

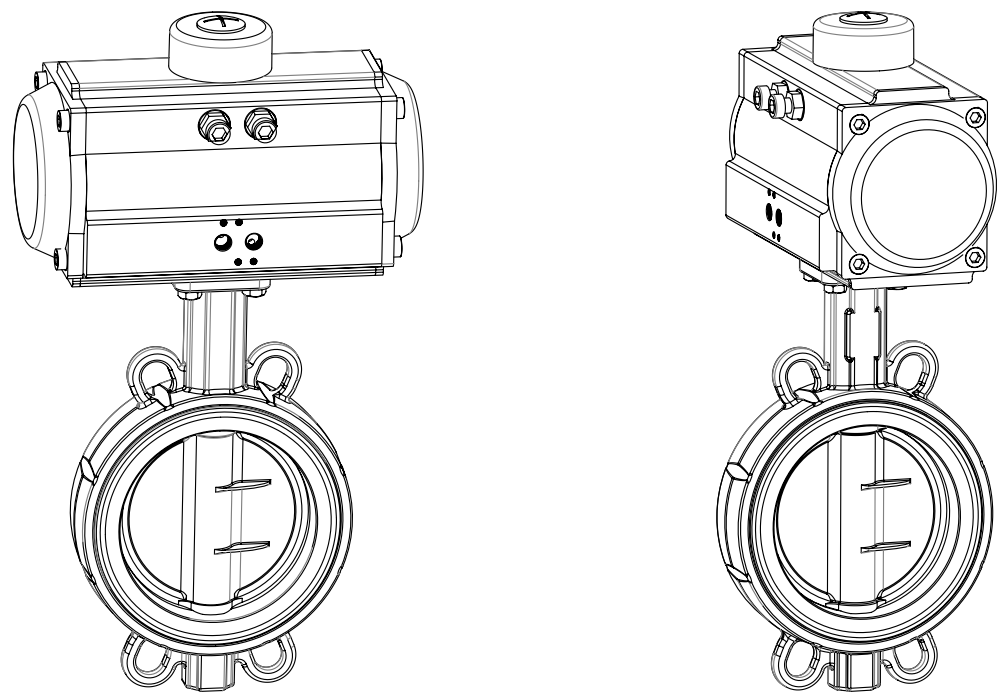
POV VALVE PO8-SERIES BUTTERFLY VALVE

## PO8-WP Series: PNEUMATIC BUTTERFLY VALVE WITH PISTON TYPE ACTUATOR

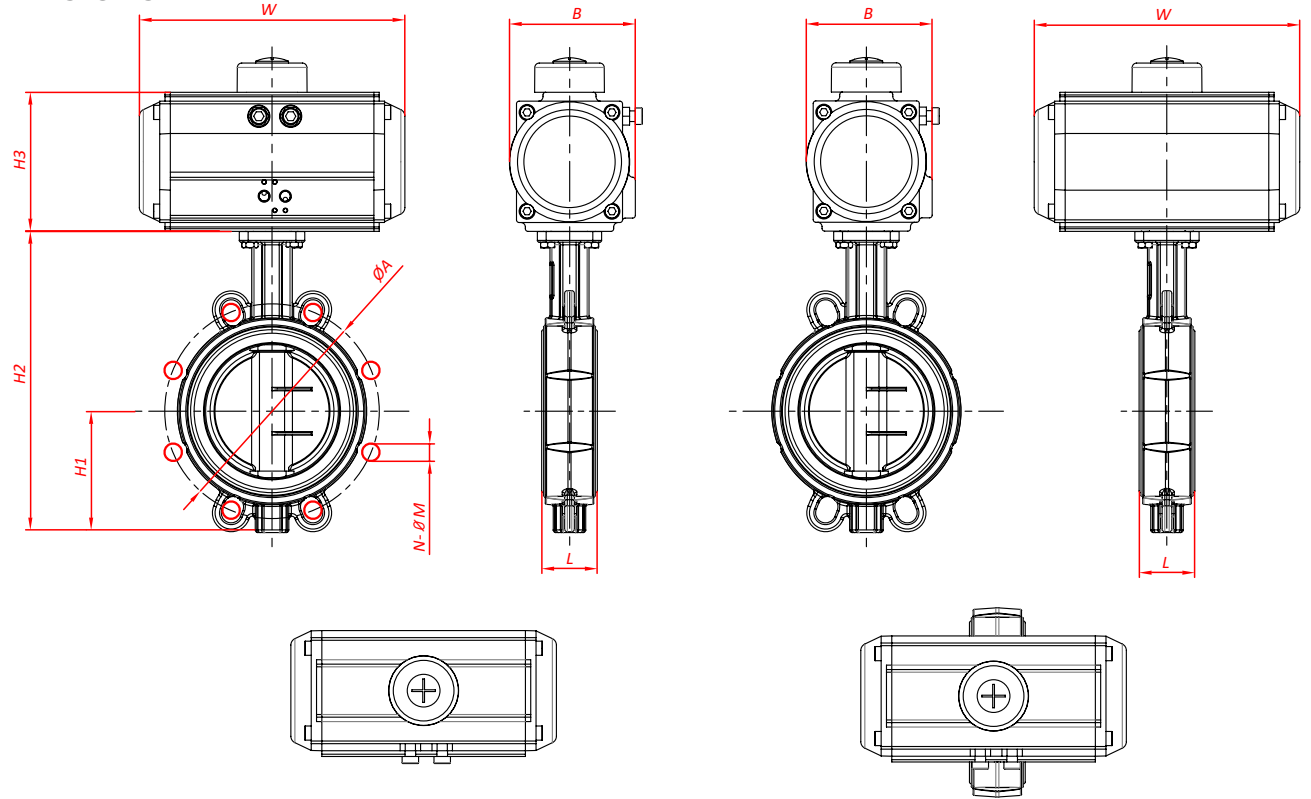
### PO8-WP-O : PNEUMATIC DOUBLE ACTING COMMON ON-OFF TYPE

#### FEATURES

- Double Acting Actuator, Power fail Valve will stay in position
- Position Indicator on the top
- Common ON-OFF Function to Open and Shut-off flow
- Can be directly supplied with air source, or controlled by 5/2 way solenoid valve for remote control
- Fast open/close in 2 seconds



#### DIMENSIONS





**PO8-WP-O :  
PNEUMATIC DOUBLE ACTING COMMON ON-OFF TYPE**
**DIMENSIONS OF PNEUMATIC BUTTERFLY VALVE WITH DOUBLE ACTING ACTUATOR IN RATING PN10**

PN10 PRESSURE RATING	Size	L	GB standard (PN10)		H1	H2	H3	W	B	POADA Model
			ΦA	N- M						
			DN25	33						
DN32	33	100	4- 16	46	94	72	145	72	POADA-20	
DN40	33	110	4- 16	53	94	72	145	72	POADA-20	
DN50	42	125	4- 16	55	140	72	145	72	POADA-20	
DN65	44	145	4- 16	64	153	72	145	72	POADA-20	
DN80	44	160	8- 16	73	159	88	168	83	POADA-40	
DN100	50	180	8- 16	88	182	100	182	95	POADA-80	
DN125	56	210	8- 16	102	190	110	202	103	POADA-130	
DN150	56	240	8-20	115	203	135	268	120	POADA-200	
DN200	60	295	8-20	145	245	157	300	142	POADA-300	
DN250	68	350	12-20	184	273	174	395	155	POADA-500	
DN300	78	400	12-20	207	311	198	462	174	POADA-850	
DN350	78	460	16-20	247	363	232	510	206	POADA-1200	
DN400	102	515	16-24	275	375	256	557	226	POADA-1750	
DN450	114	565	20-24	307	406	291	660	258	POADA-2100	
DN500	127	620	20-24	330	438	332	727	293	POADA-2500	

**DIMENSIONS OF PNEUMATIC BUTTERFLY VALVE WITH DOUBLE ACTING ACTUATOR IN RATING PN16**

PN16 PRESSURE RATING	Size	L	GB standard (PN16)		H1	H2	H3	W	B	POADA Model
			ΦA	N- M						
			DN25	33						
DN32	33	100	4- 16	46	94	72	145	72	POADA-20	
DN40	33	110	4- 16	53	94	72	145	72	POADA-20	
DN50	42	125	4- 16	55	140	72	145	72	POADA-20	
DN65	44	145	4- 16	64	153	72	145	72	POADA-20	
DN80	44	160	8- 16	73	159	88	168	83	POADA-40	
DN100	50	180	8- 16	88	182	100	182	95	POADA-80	
DN125	56	210	8- 16	102	190	110	202	103	POADA-130	
DN150	56	240	8-20	115	203	135	268	120	POADA-200	
DN200	60	295	12-20	145	245	157	300	142	POADA-300	
DN250	68	355	12-24	184	273	174	395	155	POADA-500	
DN300	78	410	12-24	207	311	198	462	174	POADA-850	
DN350	78	470	16-24	247	363	232	510	206	POADA-1200	
DN400	102	525	16-27	275	375	256	557	226	POADA-1750	
DN450	114	585	20-27	307	406	291	660	258	POADA-2100	
DN500	127	650	20-30	330	438	332	727	293	POADA-2500	

**PO8-WP-O :  
PNEUMATIC DOUBLE ACTING COMMON ON-OFF TYPE**
**DIMENSIONS OF PNEUMATIC BUTTERFLY VALVE WITH DOUBLE ACTING ACTUATOR IN RATING CL.150LBS**

CLASS 150LBS PRESSURE RATING	Size	L	ANSI standard (CLASS 150LBS)		H1	H2	H3	W	B	POADA Model
			ΦA	N- M						
			DN25	33						
DN32	33	88.9	4- 14	46	94	72	145	72	POADA-20	
DN40	33	98.5	4- 14	53	94	72	145	72	POADA-20	
DN50	42	120.7	4- 16	55	140	72	145	72	POADA-20	
DN65	44	139.7	4- 16	64	153	72	145	72	POADA-20	
DN80	44	152.4	4- 16	73	159	88	168	83	POADA-40	
DN100	50	190.5	8- 16	88	182	100	182	95	POADA-80	
DN125	56	215.9	8- 20	102	190	110	202	103	POADA-130	
DN150	56	241.3	8- 20	115	203	135	268	120	POADA-200	
DN200	60	298.5	8- 20	145	245	157	300	142	POADA-300	
DN250	68	362	12- 24	184	273	174	395	155	POADA-500	
DN300	78	431.8	12- 24	207	311	198	462	174	POADA-850	
DN350	78	476.3	12- 27	247	363	232	510	206	POADA-1200	
DN400	102	539.8	16- 27	275	375	256	557	226	POADA-1750	
DN450	114	577.9	16- 30	307	406	291	660	258	POADA-2100	
DN500	127	635	20- 30	330	438	332	727	293	POADA-2500	

**DIMENSIONS OF PNEUMATIC BUTTERFLY VALVE WITH DOUBLE ACTING ACTUATOR IN RATING JIS5K**

JIS5K PRESSURE RATING	Size	L	JIS standard (JIS5K)		H1	H2	H3	W	B	POADA Model
			ΦA	N- M						
			DN25	33						
DN32	33	90	4- 12	46	94	72	145	72	POADA-20	
DN40	33	95	4- 12	53	94	72	145	72	POADA-20	
DN50	42	105	4- 12	55	140	72	145	72	POADA-20	
DN65	44	130	4- 12	64	153	72	145	72	POADA-20	
DN80	44	145	4- 16	73	159	88	168	83	POADA-40	
DN100	50	165	8- 16	88	182	100	182	95	POADA-80	
DN125	56	200	8- 16	102	190	110	202	103	POADA-130	
DN150	56	230	8- 16	115	203	135	268	120	POADA-200	
DN200	60	280	8- 20	145	245	157	300	142	POADA-300	
DN250	68	345	12- 20	184	273	174	395	155	POADA-500	
DN300	78	390	12- 20	207	311	198	462	174	POADA-850	
DN350	78	435	12- 22	247	363	232	510	206	POADA-1200	
DN400	102	495	16- 22	275	375	256	557	226	POADA-1750	
DN450	114	555	16- 22	307	406	291	660	258	POADA-2100	
DN500	127	605	20- 22	330	438	332	727	293	POADA-2500	

### PO8-WP-O : PNEUMATIC DOUBLE ACTING COMMON ON-OFF TYPE

#### DIMENSIONS OF PNEUMATIC BUTTERFLY VALVE WITH DOUBLE ACTING ACTUATOR IN RATING JIS10K

Size	L	JIS standard (JIS 10K)		H1	H2	H3	W	B	POADA Model
		ΦA	N- M						
DN25	33	90	4- 12	46	94	72	145	72	POADA-20
DN32	33	100	4- 16	46	94	72	145	72	POADA-20
DN40	33	105	4- 16	53	94	72	145	72	POADA-20
DN50	42	120	4- 16	55	140	72	145	72	POADA-20
DN65	44	140	4- 16	64	153	72	145	72	POADA-20
DN80	44	150	8- 16	73	159	88	168	83	POADA-40
DN100	50	175	8- 16	88	182	100	182	95	POADA-80
DN125	56	210	8- 20	102	190	110	202	103	POADA-130
DN150	56	240	8- 20	115	203	135	268	120	POADA-200
DN200	60	290	12- 20	145	245	157	300	142	POADA-300
DN250	68	355	12- 22	184	273	174	395	155	POADA-500
DN300	78	400	16- 22	207	311	198	462	174	POADA-850
DN350	78	445	16- 22	247	363	232	510	206	POADA-1200
DN400	102	510	16- 24	275	375	256	557	226	POADA-1750
DN450	114	565	20- 24	307	406	291	660	258	POADA-2100
DN500	127	620	20- 24	330	438	332	727	293	POADA-2500

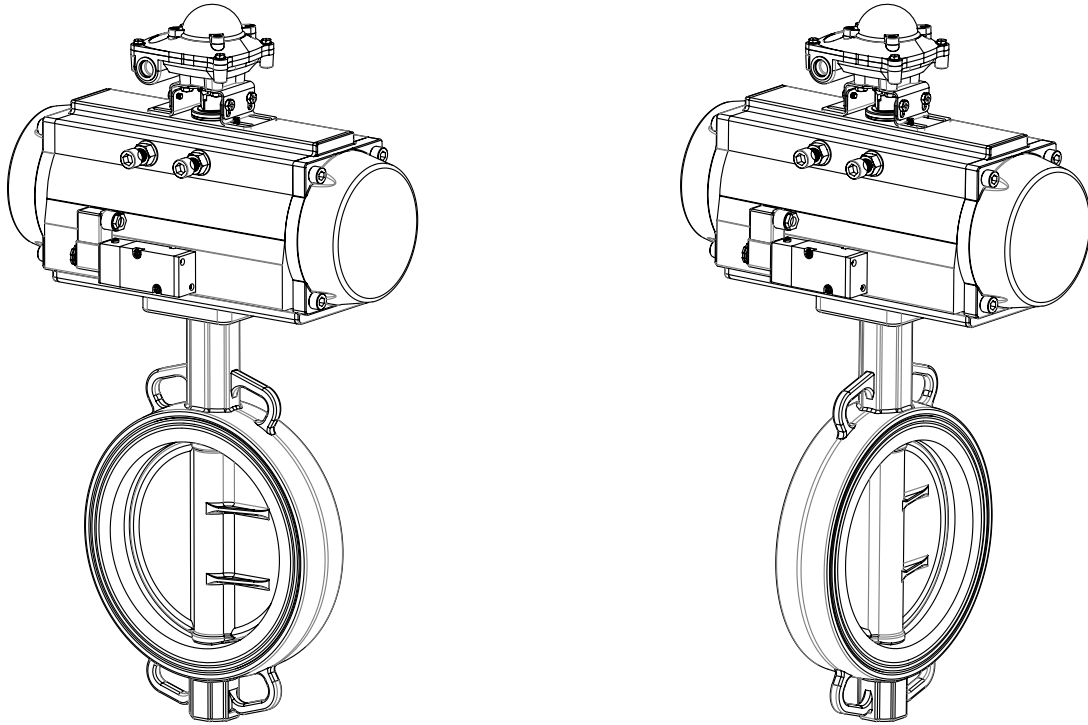
JIS 10K PRESSURE RATING

### PO8-WP Series: PNEUMATIC BUTTERFLY VALVE WITH PISTON TYPE ACTUATOR

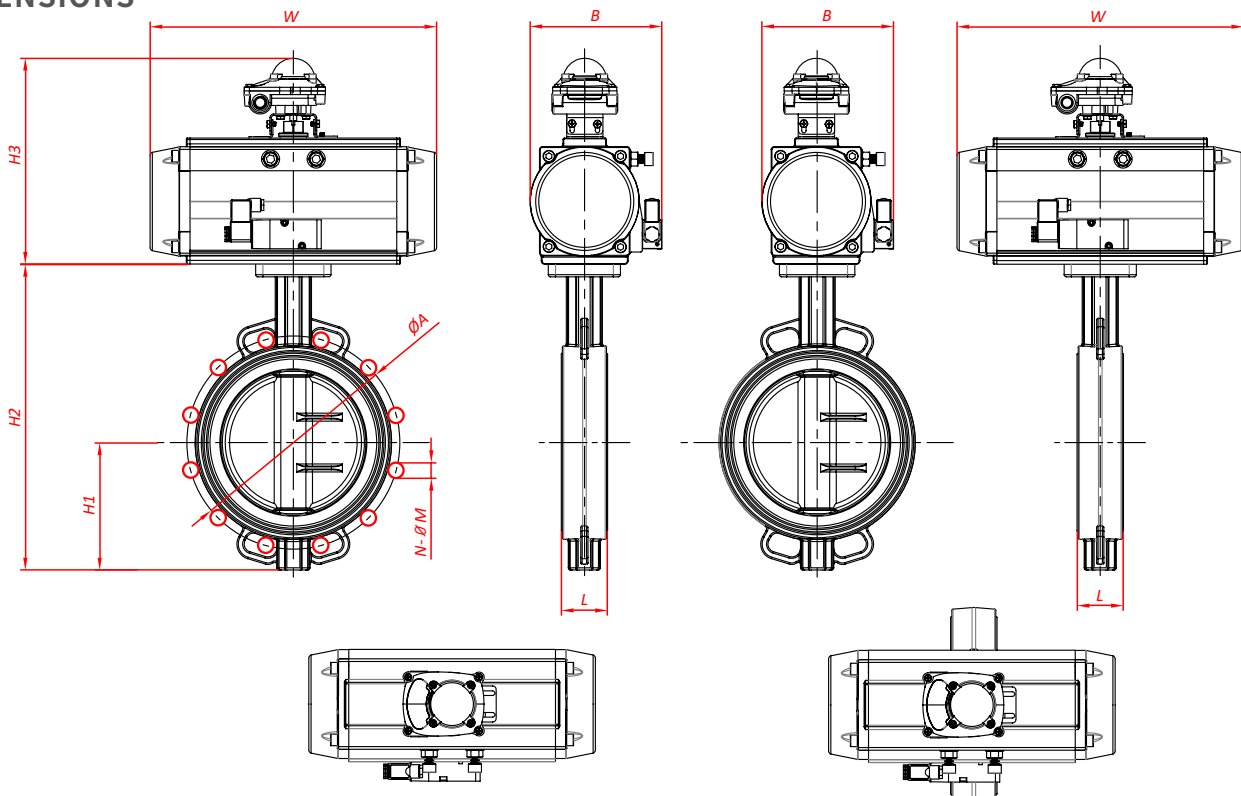
#### PO8-WP-S : PNEUMATIC SINGLE ACTING EMERGENCY SHUT-OFF TYPE

#### FEATURES

- Single Acting Actuator, Power fail Valve will open or close automatically
- Position Indicator on the top
- Common ON- OFF Function, with Air-to-open and Spring-to-close, or Air-to-close and Spring-to-open
- Can be directly supplied with air source, or controlled by 5/2 way solenoid valve for remote control
- Fast open/close in 2 seconds



#### DIMENSIONS



**PO8-WP-S :  
PNEUMATIC SINGLE ACTING EMERGENCY SHUT-OFF TYPE**

**DIMENSIONS OF PNEUMATIC BUTTERFLY VALVE WITH SINGLE ACTING ACTUATOR IN RATING PN10**

PN10 PRESSURE RATING	Size	L	GB standard (PN10)		H1	H2	H3	W	B	POASR Model
			ΦA	N- M						
	DN25	33	85	4- 12	46	94	211	145	92	POASR- 20K(B)
	DN32	33	100	4- 16	46	94	211	145	92	POASR- 20K(B)
	DN40	33	110	4- 16	53	94	211	145	92	POASR- 20K(B)
	DN50	42	125	4- 16	55	140	227	168	103	POASR- 40K(B)
	DN65	44	145	4- 16	64	153	227	168	103	POASR- 40K(B)
	DN80	44	160	8- 16	73	159	239	182	115	POASR- 80K(B)
	DN100	50	180	8- 16	88	182	249	202	123	POASR- 130K(B)
	DN125	56	210	8- 16	102	190	274	268	140	POASR- 200K(B)
	DN150	56	240	8- 20	115	203	296	300	162	POASR- 300K(B)
	DN200	60	295	8- 20	145	245	313	395	175	POASR- 500K(B)
	DN250	68	350	12- 20	184	273	337	462	194	POASR- 850K(B)
	DN300	78	400	12- 20	207	311	371	510	226	POASR- 1200K(B)
	DN350	78	460	16- 20	247	363	395	557	246	POASR- 1750K(B)
DN400	102	515	16- 24	275	375	430	660	278	POASR- 2100K(B)	
DN450	114	565	20- 24	307	406	471	727	313	POASR- 2500K(B)	

**DIMENSIONS OF PNEUMATIC BUTTERFLY VALVE WITH SINGLE ACTING ACTUATOR IN RATING PN16**

PN16 PRESSURE RATING	Size	L	GB standard (PN16)		H1	H2	H3	W	B	POASR Model
			ΦA	N- M						
	DN25	33	85	4- 12	46	94	211	145	92	POASR- 20K(B)
	DN32	33	100	4- 16	46	94	211	145	92	POASR- 20K(B)
	DN40	33	110	4- 16	53	94	211	145	92	POASR- 20K(B)
	DN50	42	125	4- 16	55	140	227	168	103	POASR- 40K(B)
	DN65	44	145	4- 16	64	153	227	168	103	POASR- 40K(B)
	DN80	44	160	8- 16	73	159	239	182	115	POASR- 80K(B)
	DN100	50	180	8- 16	88	182	249	202	123	POASR- 130K(B)
	DN125	56	210	8- 16	102	190	274	268	140	POASR- 200K(B)
	DN150	56	240	8- 20	115	203	296	300	162	POASR- 300K(B)
	DN200	60	295	12- 20	145	245	313	395	175	POASR- 500K(B)
	DN250	68	355	12- 24	184	273	337	462	194	POASR- 850K(B)
	DN300	78	410	12- 24	207	311	371	510	226	POASR- 1200K(B)
	DN350	78	470	16- 24	247	363	395	557	246	POASR- 1750K(B)
DN400	102	525	16- 27	275	375	430	660	278	POASR- 2100K(B)	
DN450	114	585	20- 27	307	406	471	727	313	POASR- 2500K(B)	

**PO8-WP-S :  
PNEUMATIC SINGLE ACTING EMERGENCY SHUT-OFF TYPE**
**DIMENSIONS OF PNEUMATIC BUTTERFLY VALVE WITH SINGLE ACTING ACTUATOR IN RATING CL.150LBS**

CLASS 150LBS PRESSURE RATING	Size	L	ANSI standard (CLASS 150LBS)		H1	H2	H3	W	B	POASR Model
			ΦA	N- M						
			DN25	33						
DN32	33	88.9	4- 14	46	94	211	145	92	POASR- 20K(B)	
DN40	33	98.5	4- 14	53	94	211	145	92	POASR- 20K(B)	
DN50	42	120.7	4- 16	55	140	227	168	103	POASR- 40K(B)	
DN65	44	139.7	4- 16	64	153	227	168	103	POASR- 40K(B)	
DN80	44	152.4	4- 16	73	159	239	182	115	POASR- 80K(B)	
DN100	50	190.5	8- 16	88	182	249	202	123	POASR- 130K(B)	
DN125	56	215.9	8- 20	102	190	274	268	140	POASR- 200K(B)	
DN150	56	241.3	8- 20	115	203	296	300	162	POASR- 300K(B)	
DN200	60	298.5	8- 20	145	245	313	395	175	POASR- 500K(B)	
DN250	68	362	12- 24	184	273	337	462	194	POASR- 850K(B)	
DN300	78	431.8	12- 24	207	311	371	510	226	POASR- 1200K(B)	
DN350	78	476.3	12- 27	247	363	395	557	246	POASR- 1750K(B)	
DN400	102	539.8	16- 27	275	375	430	660	278	POASR- 2100K(B)	
DN450	114	577.9	16- 30	307	406	471	727	313	POASR- 2500K(B)	

**DIMENSIONS OF PNEUMATIC BUTTERFLY VALVE WITH SINGLE ACTING ACTUATOR IN RATING JIS5K**

JIS5K PRESSURE RATING	Size	L	JIS standard (JIS5K)		H1	H2	H3	W	B	POASR Model
			ΦA	N- M						
			DN25	33						
DN32	33	90	4- 12	46	94	211	145	92	POASR- 20K(B)	
DN40	33	95	4- 12	53	94	211	145	92	POASR- 20K(B)	
DN50	42	105	4- 12	55	140	227	168	103	POASR- 40K(B)	
DN65	44	130	4- 12	64	153	227	168	103	POASR- 40K(B)	
DN80	44	145	4- 16	73	159	239	182	115	POASR- 80K(B)	
DN100	50	165	8- 16	88	182	249	202	123	POASR- 130K(B)	
DN125	56	200	8- 16	102	190	274	268	140	POASR- 200K(B)	
DN150	56	230	8- 16	115	203	296	300	162	POASR- 300K(B)	
DN200	60	280	8- 20	145	245	313	395	175	POASR- 500K(B)	
DN250	68	345	12- 20	184	273	337	462	194	POASR- 850K(B)	
DN300	78	390	12- 20	207	311	371	510	226	POASR- 1200K(B)	
DN350	78	435	12- 22	247	363	395	557	246	POASR- 1750K(B)	
DN400	102	495	16- 22	275	375	430	660	278	POASR- 2100K(B)	
DN450	114	555	16- 22	307	406	471	727	313	POASR- 2500K(B)	

### PO8-WP-S : PNEUMATIC SINGLE ACTING EMERGENCY SHUT-OFF TYPE

#### DIMENSIONS OF PNEUMATIC BUTTERFLY VALVE WITH SINGLE ACTING ACTUATOR IN RATING JIS10K

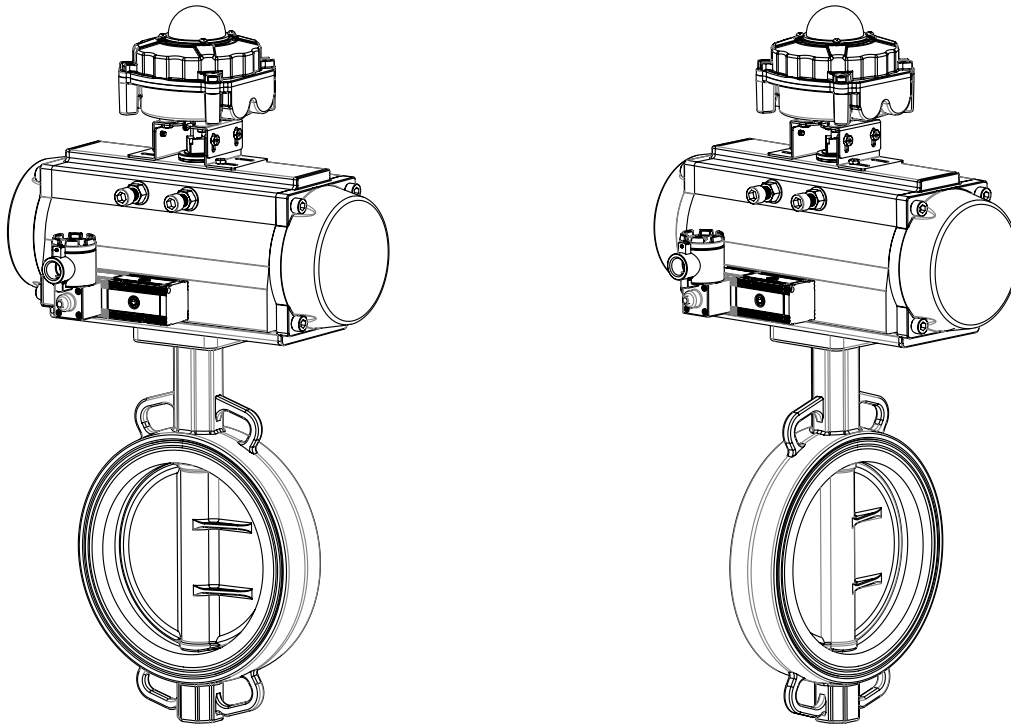
JIS 10K PRESSURE RATING	Size	L	JIS standard (JIS 10K)		H1	H2	H3	W	B	POASR Model
			ΦA	N- M						
			DN25	33						
DN32	33	100	4-16	46	94	211	145	92	POASR-20K(B)	
DN40	33	105	4-16	53	94	211	145	92	POASR-20K(B)	
DN50	42	120	4-16	55	140	227	168	103	POASR-40K(B)	
DN65	44	140	4-16	64	153	227	168	103	POASR-40K(B)	
DN80	44	150	8-16	73	159	239	182	115	POASR-80K(B)	
DN100	50	175	8-16	88	182	249	202	123	POASR-130K(B)	
DN125	56	210	8-20	102	190	274	268	140	POASR-200K(B)	
DN150	56	240	8-20	115	203	296	300	162	POASR-300K(B)	
DN200	60	290	12-20	145	245	313	395	175	POASR-500K(B)	
DN250	68	355	12-22	184	273	337	462	194	POASR-850K(B)	
DN300	78	400	16-22	207	311	371	510	226	POASR-1200K(B)	
DN350	78	445	16-22	247	363	395	557	246	POASR-1750K(B)	
DN400	102	510	16-24	275	375	430	660	278	POASR-2100K(B)	
DN450	114	565	20-24	307	406	471	727	313	POASR-2500K(B)	

### PO8-WP Series: PNEUMATIC BUTTERFLY VALVE WITH PISTON TYPE ACTUATOR

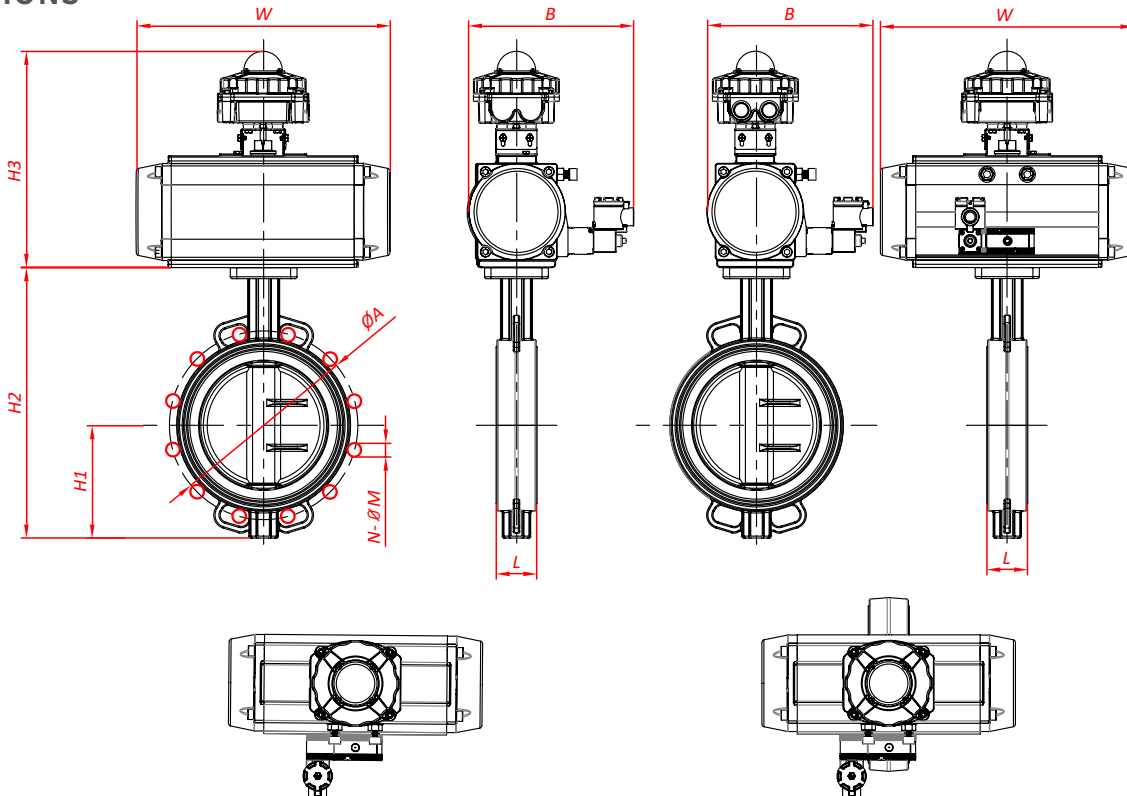
#### PO8-WP-P : PNEUMATIC COMMON ON-OFF TYPE EXPLOSION-PROOF

#### FEATURES

- Common ON-OFF Function, with Double acting or Single acting actuator
- Equipped with POT Series Explosion-proof Solenoid valve
- Equipped with POH Series Explosion-proof Limit switch
- Explosion-proof grades are available with ExmbIICT4/ EX d IIB T6/ EX d IIC T6/ EX ia IIC T6
- Available with other brands limit switch and solenoid valve



#### DIMENSIONS





**PO8-WP-P :  
PNEUMATIC COMMON ON-OFF TYPE EXPLOSION-PROOF**

**DIMENSIONS OF PNEUMATIC BUTTERFLY VALVE IN RATING PN10**

PN10 PRESSURE RATING	Size	L	GB standard (PN10)		H1	H2	H3	W	B	POADA Model	H3	W	B	POASR Model								
			ΦA	N-M											DOUBLE ACTING TYPE				SINGLE ACTING TYPE			
DN25	33	85	4-12	46	94	239	145	176	POADA-20	239	145	176	POASR-20K(B)									
DN32	33	100	4-16	46	94	239	145	176	POADA-20	239	145	176	POASR-20K(B)									
DN40	33	110	4-16	53	94	239	145	176	POADA-20	239	145	176	POASR-20K(B)									
DN50	42	125	4-16	55	140	239	145	176	POADA-20	255	145	187	POASR-40K(B)									
DN65	44	145	4-16	64	153	239	145	176	POADA-20	255	145	187	POASR-40K(B)									
DN80	44	160	8-16	73	159	255	168	187	POADA-40	267	168	199	POASR-80K(B)									
DN100	50	180	8-16	88	182	267	182	199	POADA-80	277	182	207	POASR-130K(B)									
DN125	56	210	8-16	102	190	277	202	207	POADA-130	302	202	224	POASR-200K(B)									
DN150	56	240	8-20	115	203	302	268	224	POADA-200	324	268	246	POASR-300K(B)									
DN200	60	295	8-20	145	245	324	300	246	POADA-300	341	300	259	POASR-500K(B)									
DN250	68	350	12-20	184	273	341	395	259	POADA-500	365	395	278	POASR-850K(B)									
DN300	78	400	12-20	207	311	365	462	278	POADA-850	399	462	310	POASR-1200K(B)									
DN350	78	460	16-20	247	363	399	510	310	POADA-1200	423	510	330	POASR-1750K(B)									
DN400	102	515	16-24	275	375	423	557	330	POADA-1750	458	557	362	POASR-2100K(B)									
DN450	114	565	20-24	307	406	458	660	362	POADA-2100	499	660	397	POASR-2500K(B)									
DN500	127	620	20-24	330	438	499	727	397	POADA-2500	-	-	-	-									

**DIMENSIONS OF PNEUMATIC BUTTERFLY VALVE IN RATING PN16**

PN16 PRESSURE RATING	Size	L	GB standard (PN16)		H1	H2	H3	W	B	POADA Model	H3	W	B	POASR Model								
			ΦA	N-M											DOUBLE ACTING TYPE				SINGLE ACTING TYPE			
DN25	33	85	4-12	46	94	239	145	176	POADA-20	239	145	176	POASR-20K(B)									
DN32	33	100	4-16	46	94	239	145	176	POADA-20	239	145	176	POASR-20K(B)									
DN40	33	110	4-16	53	94	239	145	176	POADA-20	239	145	176	POASR-20K(B)									
DN50	42	125	4-16	55	140	239	145	176	POADA-20	255	145	187	POASR-40K(B)									
DN65	44	145	4-16	64	153	239	145	176	POADA-20	255	145	187	POASR-40K(B)									
DN80	44	160	8-16	73	159	255	168	187	POADA-40	267	168	199	POASR-80K(B)									
DN100	50	180	8-16	88	182	267	182	199	POADA-80	277	182	207	POASR-130K(B)									
DN125	56	210	8-16	102	190	277	202	207	POADA-130	302	202	224	POASR-200K(B)									
DN150	56	240	8-20	115	203	302	268	224	POADA-200	324	268	246	POASR-300K(B)									
DN200	60	295	12-20	145	245	324	300	246	POADA-300	341	300	259	POASR-500K(B)									
DN250	68	355	12-24	184	273	341	395	259	POADA-500	365	395	278	POASR-850K(B)									
DN300	78	410	12-24	207	311	365	462	278	POADA-850	399	462	310	POASR-1200K(B)									
DN350	78	470	16-24	247	363	399	510	310	POADA-1200	423	510	330	POASR-1750K(B)									
DN400	102	525	16-27	275	375	423	557	330	POADA-1750	458	557	362	POASR-2100K(B)									
DN450	114	585	20-27	307	406	458	660	362	POADA-2100	499	660	397	POASR-2500K(B)									
DN500	127	650	20-30	330	438	499	727	397	POADA-2500	-	-	-	-									

**PO8-WP-P :  
PNEUMATIC COMMON ON-OFF TYPE EXPLOSION-PROOF**
**DIMENSIONS OF PNEUMATIC BUTTERFLY VALVE IN RATING CLASS150LBS**

CLASS 150LBS PRESSURE RATING	Size	L	ANSI standard (CLASS 150LBS)		H1	H2	H3	W	B	POADA Model	H3	W	B	POASR Model								
			ΦA	N-M											DOUBLE ACTING TYPE				SINGLE ACTING TYPE			
			DN25	33											79.5	4-14	46	94	239	145	176	POADA-20
DN32	33	88.9	4-14	46	94	239	145	176	POADA-20	239	145	176	POASR-20K(B)									
DN40	33	98.5	4-14	53	94	239	145	176	POADA-20	239	145	176	POASR-20K(B)									
DN50	42	120.7	4-16	55	140	239	145	176	POADA-20	255	145	187	POASR-40K(B)									
DN65	44	139.7	4-16	64	153	239	145	176	POADA-20	255	145	187	POASR-40K(B)									
DN80	44	152.4	4-16	73	159	255	168	187	POADA-40	267	168	199	POASR-80K(B)									
DN100	50	190.5	8-16	88	182	267	182	199	POADA-80	277	182	207	POASR-130K(B)									
DN125	56	215.9	8-20	102	190	277	202	207	POADA-130	302	202	224	POASR-200K(B)									
DN150	56	241.3	8-20	115	203	302	268	224	POADA-200	324	268	246	POASR-300K(B)									
DN200	60	298.5	8-20	145	245	324	300	246	POADA-300	341	300	259	POASR-500K(B)									
DN250	68	362	12-24	184	273	341	395	259	POADA-500	365	395	278	POASR-850K(B)									
DN300	78	431.8	12-24	207	311	365	462	278	POADA-850	399	462	310	POASR-1200K(B)									
DN350	78	476.3	12-27	247	363	399	510	310	POADA-1200	423	510	330	POASR-1750K(B)									
DN400	102	539.8	16-27	275	375	423	557	330	POADA-1750	458	557	362	POASR-2100K(B)									
DN450	114	577.9	16-30	307	406	458	660	362	POADA-2100	499	660	397	POASR-2500K(B)									
DN500	127	635	20-30	330	438	499	727	397	POADA-2500	-	-	-	-									

**DIMENSIONS OF PNEUMATIC BUTTERFLY VALVE IN RATING JIS5K**

JIS 5K PRESSURE RATING	Size	L	JIS standard (JIS 5K)		H1	H2	H3	W	B	POADA Model	H3	W	B	POASR Model								
			ΦA	N-M											DOUBLE ACTING TYPE				SINGLE ACTING TYPE			
			DN25	33											75	4-10	46	94	239	145	176	POADA-20
DN32	33	90	4-12	46	94	239	145	176	POADA-20	239	145	176	POASR-20K(B)									
DN40	33	95	4-12	53	94	239	145	176	POADA-20	239	145	176	POASR-20K(B)									
DN50	42	105	4-12	55	140	239	145	176	POADA-20	255	145	187	POASR-40K(B)									
DN65	44	130	4-12	64	153	239	145	176	POADA-20	255	145	187	POASR-40K(B)									
DN80	44	145	4-16	73	159	255	168	187	POADA-40	267	168	199	POASR-80K(B)									
DN100	50	165	8-16	88	182	267	182	199	POADA-80	277	182	207	POASR-130K(B)									
DN125	56	200	8-16	102	190	277	202	207	POADA-130	302	202	224	POASR-200K(B)									
DN150	56	230	8-16	115	203	302	268	224	POADA-200	324	268	246	POASR-300K(B)									
DN200	60	280	8-20	145	245	324	300	246	POADA-300	341	300	259	POASR-500K(B)									
DN250	68	345	12-20	184	273	341	395	259	POADA-500	365	395	278	POASR-850K(B)									
DN300	78	390	12-20	207	311	365	462	278	POADA-850	399	462	310	POASR-1200K(B)									
DN350	78	435	12-22	247	363	399	510	310	POADA-1200	423	510	330	POASR-1750K(B)									
DN400	102	495	16-22	275	375	423	557	330	POADA-1750	458	557	362	POASR-2100K(B)									
DN450	114	555	16-22	307	406	458	660	362	POADA-2100	499	660	397	POASR-2500K(B)									
DN500	127	605	20-22	330	438	499	727	397	POADA-2500	-	-	-	-									

**PO8-WP-P :  
PNEUMATIC COMMON ON-OFF TYPE EXPLOSION-PROOF**

**DIMENSIONS OF PNEUMATIC BUTTERFLY VALVE IN RATING JIS10K**

Size	L	JIS standard (JIS 10K)		H1	H2	H3	W	B	POADA Model	H3	W	B	POASR Model								
		ΦA	N-M											DOUBLE ACTING TYPE				SINGLE ACTING TYPE			
		DN25	33											90	4-12	46	94	239	145	176	POADA-20
DN32	33	100	4-16	46	94	239	145	176	POADA-20	239	145	176	POASR-20K(B)								
DN40	33	105	4-16	53	94	239	145	176	POADA-20	239	145	176	POASR-20K(B)								
DN50	42	120	4-16	55	140	239	145	176	POADA-20	255	145	187	POASR-40K(B)								
DN65	44	140	4-16	64	153	239	145	176	POADA-20	255	145	187	POASR-40K(B)								
DN80	44	150	8-16	73	159	255	168	187	POADA-40	267	168	199	POASR-80K(B)								
DN100	50	175	8-16	88	182	267	182	199	POADA-80	277	182	207	POASR-130K(B)								
DN125	56	210	8-20	102	190	277	202	207	POADA-130	302	202	224	POASR-200K(B)								
DN150	56	240	8-20	115	203	302	268	224	POADA-200	324	268	246	POASR-300K(B)								
DN200	60	290	12-20	145	245	324	300	246	POADA-300	341	300	259	POASR-500K(B)								
DN250	68	355	12-22	184	273	341	395	259	POADA-500	365	395	278	POASR-850K(B)								
DN300	78	400	16-22	207	311	365	462	278	POADA-850	399	462	310	POASR-1200K(B)								
DN350	78	445	16-22	247	363	399	510	310	POADA-1200	423	510	330	POASR-1750K(B)								
DN400	102	510	16-24	275	375	423	557	330	POADA-1750	458	557	362	POASR-2100K(B)								
DN450	114	565	20-24	307	406	458	660	362	POADA-2100	499	660	397	POASR-2500K(B)								
DN500	127	620	20-24	330	438	499	727	397	POADA-2500	-	-	-	-								

POV VALVE PO8-SERIES BUTTERFLY VALVE

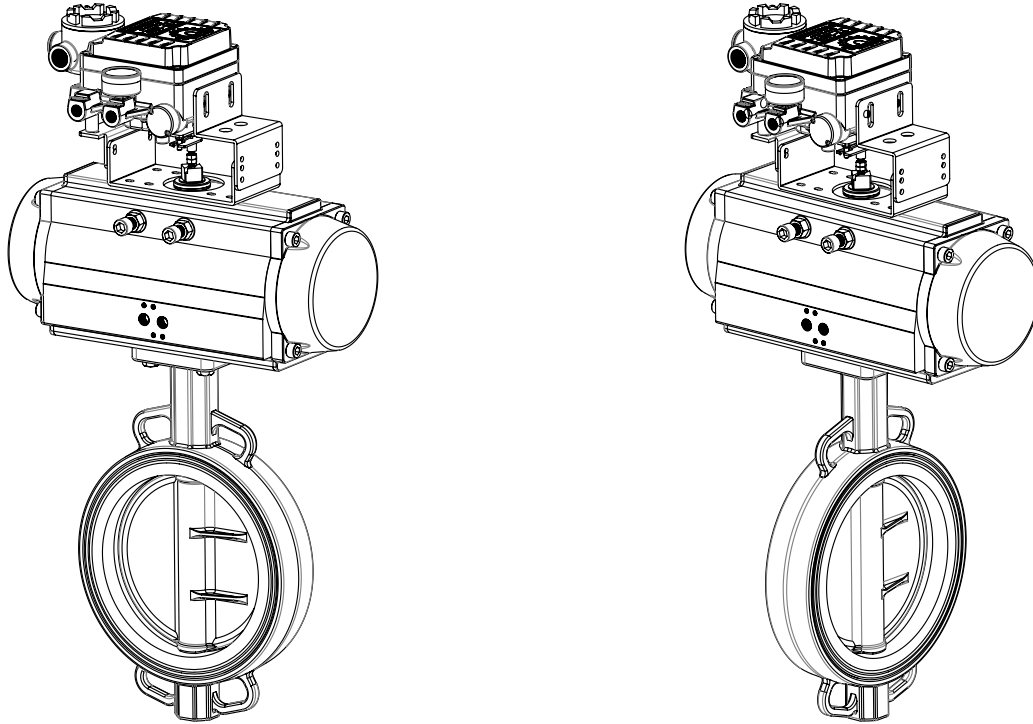
JIS 10K PRESSURE RATING

### PO8-WP Series: PNEUMATIC BUTTERFLY VALVE WITH PISTON TYPE ACTUATOR

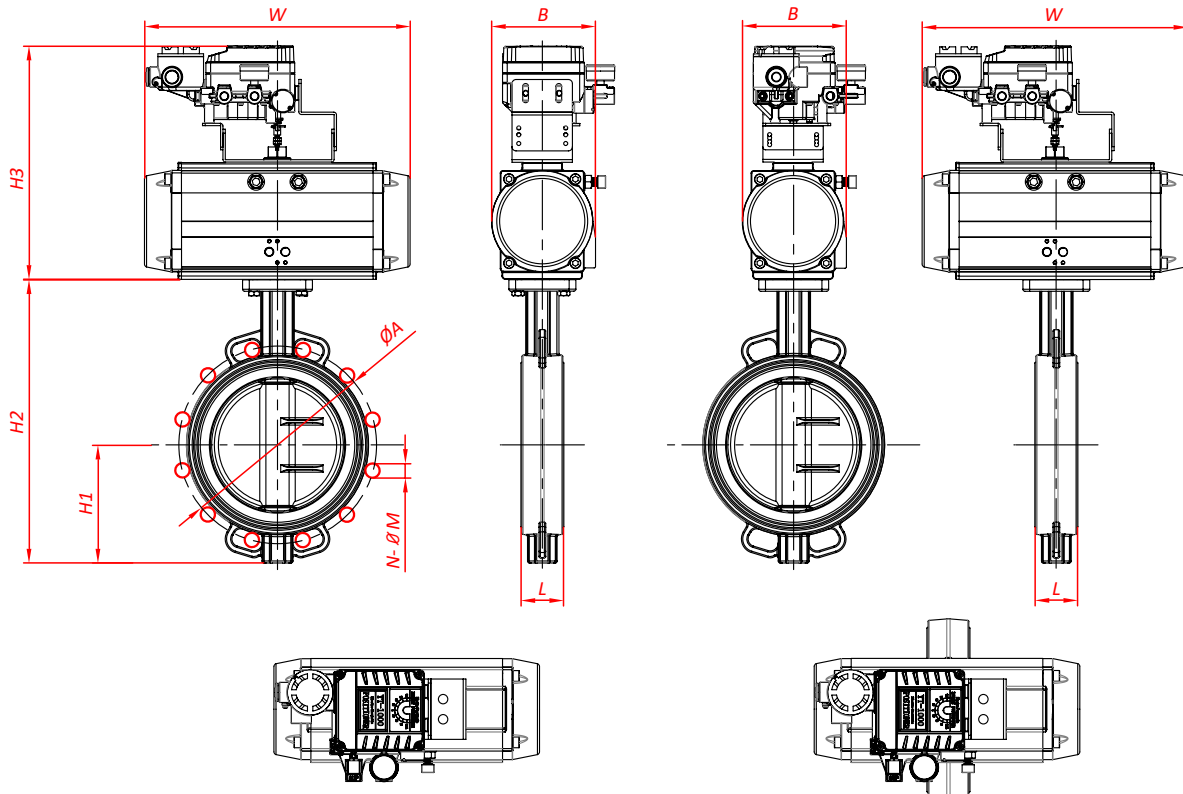
#### PO8-WP-R : PNEUMATIC REGULATING TYPE NON-EX / EXPLOSION-PROOF TYPE

#### FEATURES

- Common Regulating type, with Double acting or Single acting actuator
- Equipped with POT-1000R Series Mechanical positioner
- Available with 4-20mA digital signal or 3-15PSI air signal, with optional feedback for 4-20mA signal
- Optional Explosion-proof grades are available with Ex dmb II CT6
- Available with other brands positioner



#### DIMENSIONS



**PO8-WP-R :  
PNEUMATIC REGULATING TYPE NON-EX / EXPLOSION-PROOF TYPE**
**DIMENSIONS OF PNEUMATIC BUTTERFLY VALVE IN RATING PN10**

PN10 PRESSURE RATING	Size	L	GB standard (PN10)		H1	H2	H3	W	B	POADA Model	H3	W	B	POASR Model								
			ΦA	N-M											DOUBLE ACTING TYPE				SINGLE ACTING TYPE			
DN25	33	85	4-12	46	94	239	145	72	POADA-20	239	145	72	POASR-20K(B)									
DN32	33	100	4-16	46	94	239	145	72	POADA-20	239	145	72	POASR-20K(B)									
DN40	33	110	4-16	53	94	239	145	72	POADA-20	239	145	72	POASR-20K(B)									
DN50	42	125	4-16	55	140	239	145	72	POADA-20	255	145	83	POASR-40K(B)									
DN65	44	145	4-16	64	153	239	145	72	POADA-20	255	145	83	POASR-40K(B)									
DN80	44	160	8-16	73	159	255	168	83	POADA-40	267	168	95	POASR-80K(B)									
DN100	50	180	8-16	88	182	267	182	95	POADA-80	277	182	103	POASR-130K(B)									
DN125	56	210	8-16	102	190	277	202	103	POADA-130	302	202	120	POASR-200K(B)									
DN150	56	240	8-20	115	203	302	268	120	POADA-200	324	268	142	POASR-300K(B)									
DN200	60	295	8-20	145	245	324	300	142	POADA-300	341	300	155	POASR-500K(B)									
DN250	68	350	12-20	184	273	341	395	155	POADA-500	365	395	174	POASR-850K(B)									
DN300	78	400	12-20	207	311	365	462	174	POADA-850	399	462	206	POASR-1200K(B)									
DN350	78	460	16-20	247	363	399	510	206	POADA-1200	423	510	226	POASR-1750K(B)									
DN400	102	515	16-24	275	375	423	557	226	POADA-1750	458	557	258	POASR-2100K(B)									
DN450	114	565	20-24	307	406	458	660	258	POADA-2100	499	660	293	POASR-2500K(B)									
DN500	127	620	20-24	330	438	499	727	293	POADA-2500	-	-	-	-									

**DIMENSIONS OF PNEUMATIC BUTTERFLY VALVE IN RATING PN16**

PN16 PRESSURE RATING	Size	L	GB standard (PN16)		H1	H2	H3	W	B	POADA Model	H3	W	B	POASR Model								
			ΦA	N-M											DOUBLE ACTING TYPE				SINGLE ACTING TYPE			
DN25	33	85	4-12	46	94	239	145	72	POADA-20	239	145	72	POASR-20K(B)									
DN32	33	100	4-16	46	94	239	145	72	POADA-20	239	145	72	POASR-20K(B)									
DN40	33	110	4-16	53	94	239	145	72	POADA-20	239	145	72	POASR-20K(B)									
DN50	42	125	4-16	55	140	239	145	72	POADA-20	255	145	83	POASR-40K(B)									
DN65	44	145	4-16	64	153	239	145	72	POADA-20	255	145	83	POASR-40K(B)									
DN80	44	160	8-16	73	159	255	168	83	POADA-40	267	168	95	POASR-80K(B)									
DN100	50	180	8-16	88	182	267	182	95	POADA-80	277	182	103	POASR-130K(B)									
DN125	56	210	8-16	102	190	277	202	103	POADA-130	302	202	120	POASR-200K(B)									
DN150	56	240	8-20	115	203	302	268	120	POADA-200	324	268	142	POASR-300K(B)									
DN200	60	295	12-20	145	245	324	300	142	POADA-300	341	300	155	POASR-500K(B)									
DN250	68	355	12-24	184	273	341	395	155	POADA-500	365	395	174	POASR-850K(B)									
DN300	78	410	12-24	207	311	365	462	174	POADA-850	399	462	206	POASR-1200K(B)									
DN350	78	470	16-24	247	363	399	510	206	POADA-1200	423	510	226	POASR-1750K(B)									
DN400	102	525	16-27	275	375	423	557	226	POADA-1750	458	557	258	POASR-2100K(B)									
DN450	114	585	20-27	307	406	458	660	258	POADA-2100	499	660	293	POASR-2500K(B)									
DN500	127	650	20-30	330	438	499	727	293	POADA-2500	-	-	-	-									

**PO8-WP-R :  
PNEUMATIC REGULATING TYPE NON-EX / EXPLOSION-PROOF TYPE**
**DIMENSIONS OF PNEUMATIC BUTTERFLY VALVE IN RATING CLASS150LBS**

CLASS 150LBS PRESSURE RATING	Size	L	ANSI standard (CLASS 150LBS)		H1	H2	H3	W	B	POADA Model	H3	W	B	POASR Model								
			ΦA	N-M											DOUBLE ACTING TYPE				SINGLE ACTING TYPE			
DN25	33	79.5	4-14	46	94	239	145	72	POADA-20	239	145	72	POASR-20K(B)									
DN32	33	88.9	4-14	46	94	239	145	72	POADA-20	239	145	72	POASR-20K(B)									
DN40	33	98.5	4-14	53	94	239	145	72	POADA-20	239	145	72	POASR-20K(B)									
DN50	42	120.7	4-16	55	140	239	145	72	POADA-20	255	145	83	POASR-40K(B)									
DN65	44	139.7	4-16	64	153	239	145	72	POADA-20	255	145	83	POASR-40K(B)									
DN80	44	152.4	4-16	73	159	255	168	83	POADA-40	267	168	95	POASR-80K(B)									
DN100	50	190.5	8-16	88	182	267	182	95	POADA-80	277	182	103	POASR-130K(B)									
DN125	56	215.9	8-20	102	190	277	202	103	POADA-130	302	202	120	POASR-200K(B)									
DN150	56	241.3	8-20	115	203	302	268	120	POADA-200	324	268	142	POASR-300K(B)									
DN200	60	298.5	8-20	145	245	324	300	142	POADA-300	341	300	155	POASR-500K(B)									
DN250	68	362	12-24	184	273	341	395	155	POADA-500	365	395	174	POASR-850K(B)									
DN300	78	431.8	12-24	207	311	365	462	174	POADA-850	399	462	206	POASR-1200K(B)									
DN350	78	476.3	12-27	247	363	399	510	206	POADA-1200	423	510	226	POASR-1750K(B)									
DN400	102	539.8	16-27	275	375	423	557	226	POADA-1750	458	557	258	POASR-2100K(B)									
DN450	114	577.9	16-30	307	406	458	660	258	POADA-2100	499	660	293	POASR-2500K(B)									
DN500	127	635	20-30	330	438	499	727	293	POADA-2500	-	-	-	-									

**DIMENSIONS OF PNEUMATIC BUTTERFLY VALVE IN RATING JIS5K**

JIS 5K PRESSURE RATING	Size	L	JIS standard (JIS 5K)		H1	H2	H3	W	B	POADA Model	H3	W	B	POASR Model								
			ΦA	N-M											DOUBLE ACTING TYPE				SINGLE ACTING TYPE			
DN25	33	75	4-10	46	94	239	145	72	POADA-20	239	145	72	POASR-20K(B)									
DN32	33	90	4-12	46	94	239	145	72	POADA-20	239	145	72	POASR-20K(B)									
DN40	33	95	4-12	53	94	239	145	72	POADA-20	239	145	72	POASR-20K(B)									
DN50	42	105	4-12	55	140	239	145	72	POADA-20	255	145	83	POASR-40K(B)									
DN65	44	130	4-12	64	153	239	145	72	POADA-20	255	145	83	POASR-40K(B)									
DN80	44	145	4-16	73	159	255	168	83	POADA-40	267	168	95	POASR-80K(B)									
DN100	50	165	8-16	88	182	267	182	95	POADA-80	277	182	103	POASR-130K(B)									
DN125	56	200	8-16	102	190	277	202	103	POADA-130	302	202	120	POASR-200K(B)									
DN150	56	230	8-16	115	203	302	268	120	POADA-200	324	268	142	POASR-300K(B)									
DN200	60	280	8-20	145	245	324	300	142	POADA-300	341	300	155	POASR-500K(B)									
DN250	68	345	12-20	184	273	341	395	155	POADA-500	365	395	174	POASR-850K(B)									
DN300	78	390	12-20	207	311	365	462	174	POADA-850	399	462	206	POASR-1200K(B)									
DN350	78	435	12-22	247	363	399	510	206	POADA-1200	423	510	226	POASR-1750K(B)									
DN400	102	495	16-22	275	375	423	557	226	POADA-1750	458	557	258	POASR-2100K(B)									
DN450	114	555	16-22	307	406	458	660	258	POADA-2100	499	660	293	POASR-2500K(B)									
DN500	127	605	20-22	330	438	499	727	293	POADA-2500	-	-	-	-									

### PO8-WP-R : PNEUMATIC REGULATING TYPE NON-EX / EXPLOSION-PROOF TYPE

#### DIMENSIONS OF PNEUMATIC BUTTERFLY VALVE IN RATING JIS10K

Size	L	JIS standard (JIS 10K)		H1	H2	H3	W	B	POADA Model	H3	W	B	POASR Model						
		ΦA	N-M											DOUBLE ACTING TYPE			SINGLE ACTING TYPE		
DN25	33	90	4-12	46	94	239	145	72	POADA-20	239	145	72	POASR-20K(B)						
DN32	33	100	4-16	46	94	239	145	72	POADA-20	239	145	72	POASR-20K(B)						
DN40	33	105	4-16	53	94	239	145	72	POADA-20	239	145	72	POASR-20K(B)						
DN50	42	120	4-16	55	140	239	145	72	POADA-20	255	145	83	POASR-40K(B)						
DN65	44	140	4-16	64	153	239	145	72	POADA-20	255	145	83	POASR-40K(B)						
DN80	44	150	8-16	73	159	255	168	83	POADA-40	267	168	95	POASR-80K(B)						
DN100	50	175	8-16	88	182	267	182	95	POADA-80	277	182	103	POASR-130K(B)						
DN125	56	210	8-20	102	190	277	202	103	POADA-130	302	202	120	POASR-200K(B)						
DN150	56	240	8-20	115	203	302	268	120	POADA-200	324	268	142	POASR-300K(B)						
DN200	60	290	12-20	145	245	324	300	142	POADA-300	341	300	155	POASR-500K(B)						
DN250	68	355	12-22	184	273	341	395	155	POADA-500	365	395	174	POASR-850K(B)						
DN300	78	400	16-22	207	311	365	462	174	POADA-850	399	462	206	POASR-1200K(B)						
DN350	78	445	16-22	247	363	399	510	206	POADA-1200	423	510	226	POASR-1750K(B)						
DN400	102	510	16-24	275	375	423	557	226	POADA-1750	458	557	258	POASR-2100K(B)						
DN450	114	565	20-24	307	406	458	660	258	POADA-2100	499	660	293	POASR-2500K(B)						
DN500	127	620	20-24	330	438	499	727	293	POADA-2500	-	-	-	-						

POV VALVE PO8-SERIES BUTTERFLY VALVE

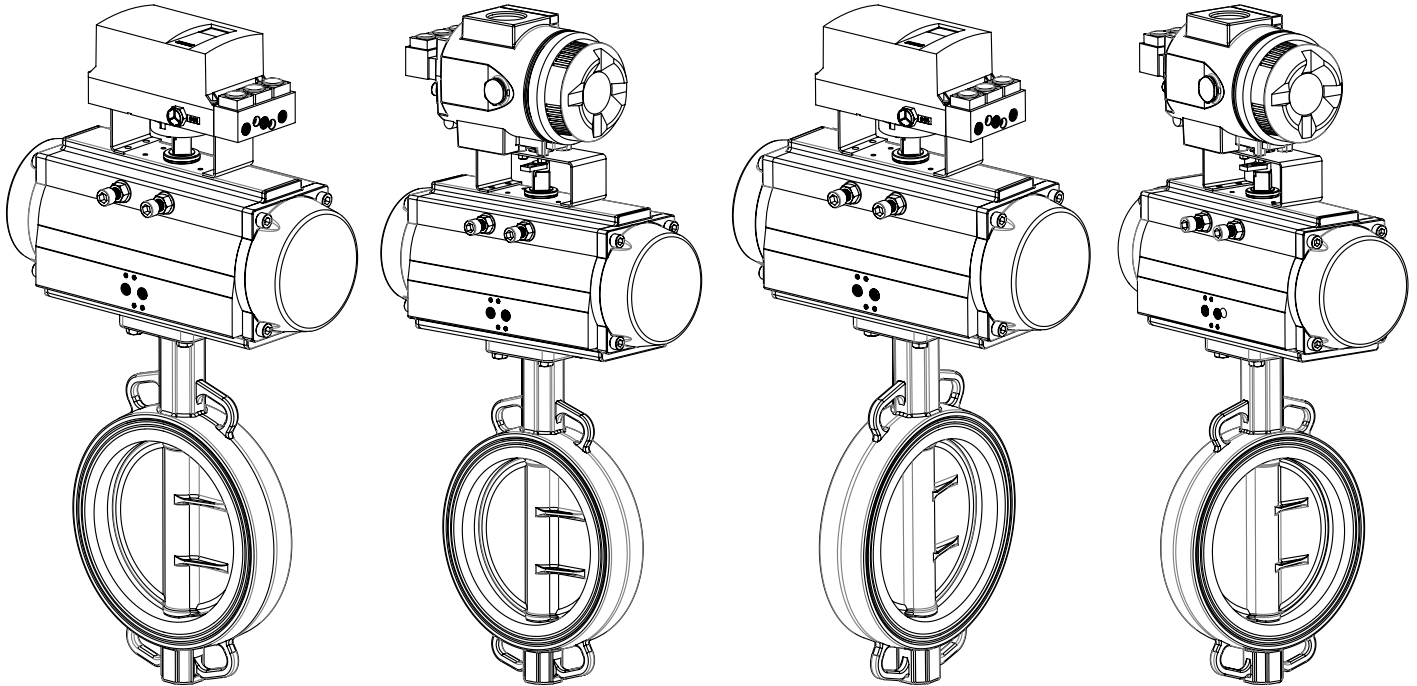
JIS 10K PRESSURE RATING

### PO8-WP Series: PNEUMATIC BUTTERFLY VALVE WITH PISTON TYPE ACTUATOR

#### PO8-WP-I : PNEUMATIC INTELLIGENT REGULATING TYPE NON-EX /EX-PROOF TYPE

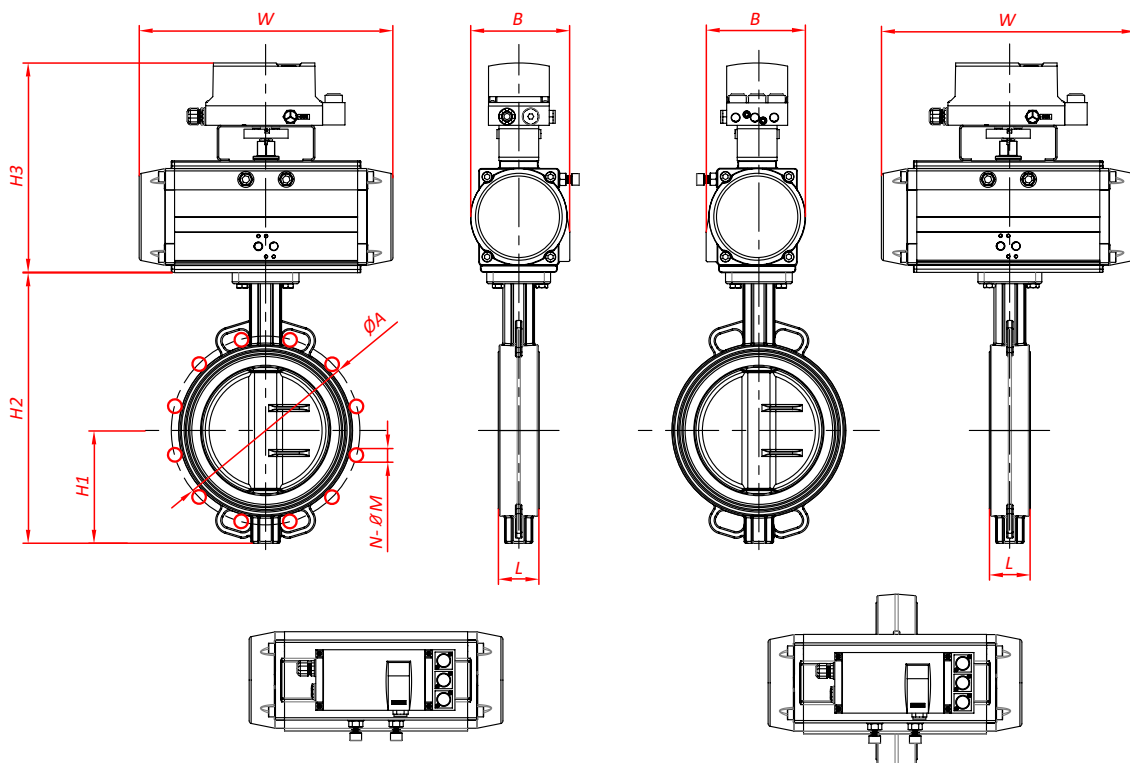
#### FEATURES

- Common Regulating type, with Double acting or Single acting actuator
- Equipped with POT-1000R Series Mechanical positioner
- Available with 4-20mA digital signal or 3-15PSI air signal, with optional feedback for 4-20mA signal
- Optional Explosion-proof grades are available with Ex dmb II CT6
- Available with other brands positioner



#### DIMENSIONS

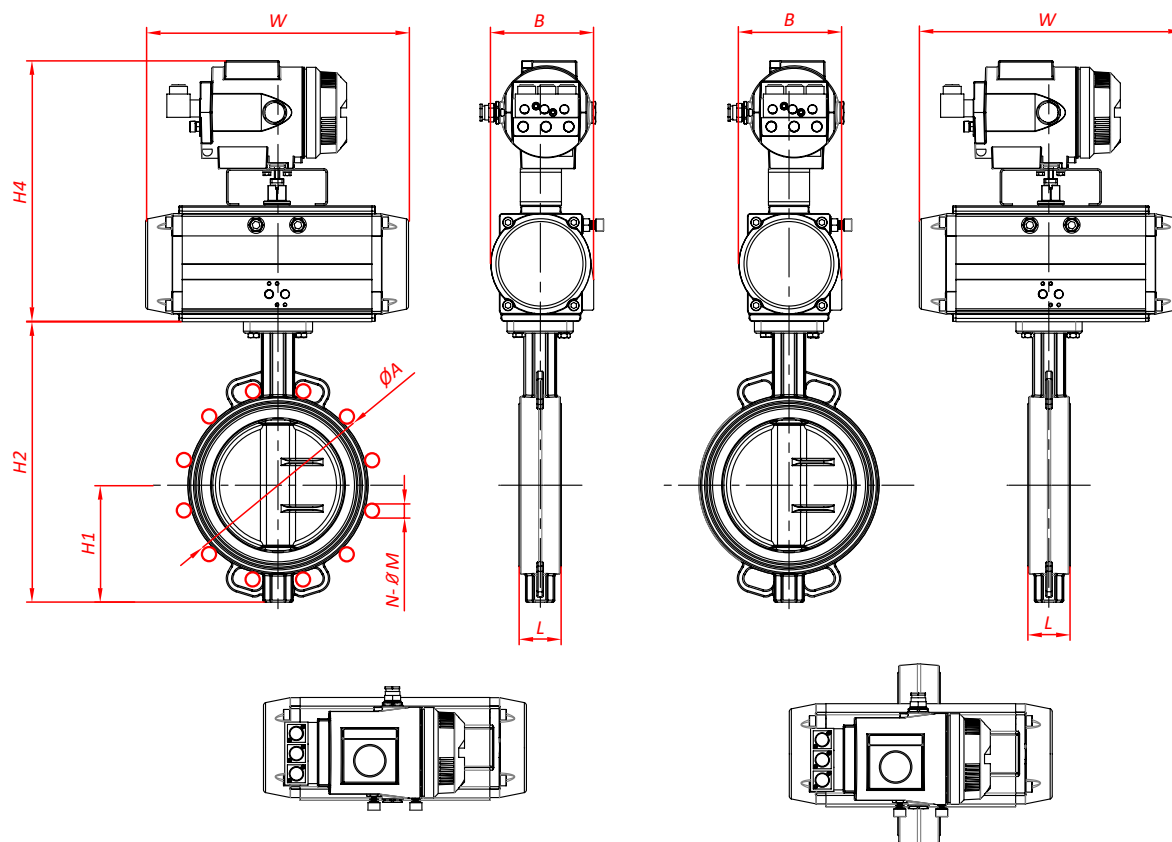
#### PNEUMATIC INTELLIGENT REGULATING TYPE WITH NON-EXPLOSION-PROOF POSITIONER





**PO8-WP-I :  
PNEUMATIC INTELLIGENT REGULATING TYPE NON-EX /EX-PROOF TYPE**

**PNEUMATIC INTELLIGENT REGULATING TYPE WITH EXPLOSION-PROOF POSITIONER**



**DIMENSIONS OF PNEUMATIC BUTTERFLY VALVE IN RATING PN10**

	Size	L	GB standard (PN10)		H1	H2	H3	H4	W	B	POADA Model	H3	H4	W	B	POASR Model								
			ØA	N- M													DOUBLE ACTING TYPE				SINGLE ACTING TYPE			
PN10 PRESSURE RATING	DN25	33	85	4- 12	46	94	219	282	145	72	POADA- 20	219	282	145	72	POASR- 20K(B)								
	DN32	33	100	4- 16	46	94	219	282	145	72	POADA- 20	219	282	145	72	POASR- 20K(B)								
	DN40	33	110	4- 16	53	94	219	282	145	72	POADA- 20	219	282	145	72	POASR- 20K(B)								
	DN50	42	125	4- 16	55	140	219	282	145	72	POADA- 20	235	298	145	83	POASR- 40K(B)								
	DN65	44	145	4- 16	64	153	219	282	145	72	POADA- 20	235	298	145	83	POASR- 40K(B)								
	DN80	44	160	8- 16	73	159	235	298	168	83	POADA- 40	247	310	168	95	POASR- 80K(B)								
	DN100	50	180	8- 16	88	182	247	310	182	95	POADA- 80	257	320	182	103	POASR- 130K(B)								
	DN125	56	210	8- 16	102	190	257	320	202	103	POADA- 130	282	345	202	120	POASR- 200K(B)								
	DN150	56	240	8- 20	115	203	282	345	268	120	POADA- 200	304	367	268	142	POASR- 300K(B)								
	DN200	60	295	8- 20	145	245	304	367	300	142	POADA- 300	321	384	300	155	POASR- 500K(B)								
	DN250	68	350	12- 20	184	273	321	384	395	155	POADA- 500	345	408	395	174	POASR- 850K(B)								
	DN300	78	400	12- 20	207	311	345	408	462	174	POADA- 850	379	442	462	206	POASR- 1200K(B)								
	DN350	78	460	16- 20	247	363	379	442	510	206	POADA- 1200	403	466	510	226	POASR- 1750K(B)								
	DN400	102	515	16- 24	275	375	403	466	557	226	POADA- 1750	438	501	557	258	POASR- 2100K(B)								
	DN450	114	565	20- 24	307	406	438	501	660	258	POADA- 2100	479	542	660	293	POASR- 2500K(B)								
DN500	127	620	20- 24	330	438	479	542	727	293	POADA- 2500	-	-	-	-	-									

**PO8-WP-I :  
PNEUMATIC INTELLIGENT REGULATING TYPE NON-EX /EX-PROOF TYPE**

**DIMENSIONS OF PNEUMATIC BUTTERFLY VALVE IN RATING PN16**

PN16 PRESSURE RATING	Size	L	GB standard (PN16)		H1	H2	H3	H4	W	B	POADA Model	H3	H4	W	B	POASR Model										
			ΦA	N-M													DOUBLE ACTING TYPE					SINGLE ACTING TYPE				
DN25	33	85	4-12	46	94	219	282	145	72	POADA-20	219	282	145	72	POASR-20K(B)											
DN32	33	100	4-16	46	94	219	282	145	72	POADA-20	219	282	145	72	POASR-20K(B)											
DN40	33	110	4-16	53	94	219	282	145	72	POADA-20	219	282	145	72	POASR-20K(B)											
DN50	42	125	4-16	55	140	219	282	145	72	POADA-20	235	298	145	83	POASR-40K(B)											
DN65	44	145	4-16	64	153	219	282	145	72	POADA-20	235	298	145	83	POASR-40K(B)											
DN80	44	160	8-16	73	159	235	298	168	83	POADA-40	247	310	168	95	POASR-80K(B)											
DN100	50	180	8-16	88	182	247	310	182	95	POADA-80	257	320	182	103	POASR-130K(B)											
DN125	56	210	8-16	102	190	257	320	202	103	POADA-130	282	345	202	120	POASR-200K(B)											
DN150	56	240	8-20	115	203	282	345	268	120	POADA-200	304	367	268	142	POASR-300K(B)											
DN200	60	295	12-20	145	245	304	367	300	142	POADA-300	321	384	300	155	POASR-500K(B)											
DN250	68	355	12-24	184	273	321	384	395	155	POADA-500	345	408	395	174	POASR-850K(B)											
DN300	78	410	12-24	207	311	345	408	462	174	POADA-850	379	442	462	206	POASR-1200K(B)											
DN350	78	470	16-24	247	363	379	442	510	206	POADA-1200	403	466	510	226	POASR-1750K(B)											
DN400	102	525	16-27	275	375	403	466	557	226	POADA-1750	438	501	557	258	POASR-2100K(B)											
DN450	114	585	20-27	307	406	438	501	660	258	POADA-2100	479	542	660	293	POASR-2500K(B)											
DN500	127	650	20-30	330	438	479	542	727	293	POADA-2500	-	-	-	-	-											

**DIMENSIONS OF PNEUMATIC BUTTERFLY VALVE IN RATING CLASS150LBS**

CLASS 150LBS PRESSURE RATING	Size	L	ANSI standard (CLASS 150LBS)		H1	H2	H3	H4	W	B	POADA Model	H3	H4	W	B	POASR Model										
			ΦA	N-M													DOUBLE ACTING TYPE					SINGLE ACTING TYPE				
DN25	33	79.5	4-14	46	94	219	282	145	72	POADA-20	219	282	145	72	POASR-20K(B)											
DN32	33	88.9	4-14	46	94	219	282	145	72	POADA-20	219	282	145	72	POASR-20K(B)											
DN40	33	98.5	4-14	53	94	219	282	145	72	POADA-20	219	282	145	72	POASR-20K(B)											
DN50	42	120.7	4-16	55	140	219	282	145	72	POADA-20	235	298	145	83	POASR-40K(B)											
DN65	44	139.7	4-16	64	153	219	282	145	72	POADA-20	235	298	145	83	POASR-40K(B)											
DN80	44	152.4	4-16	73	159	235	298	168	83	POADA-40	247	310	168	95	POASR-80K(B)											
DN100	50	190.5	8-16	88	182	247	310	182	95	POADA-80	257	320	182	103	POASR-130K(B)											
DN125	56	215.9	8-20	102	190	257	320	202	103	POADA-130	282	345	202	120	POASR-200K(B)											
DN150	56	241.3	8-20	115	203	282	345	268	120	POADA-200	304	367	268	142	POASR-300K(B)											
DN200	60	298.5	8-20	145	245	304	367	300	142	POADA-300	321	384	300	155	POASR-500K(B)											
DN250	68	362	12-24	184	273	321	384	395	155	POADA-500	345	408	395	174	POASR-850K(B)											
DN300	78	431.8	12-24	207	311	345	408	462	174	POADA-850	379	442	462	206	POASR-1200K(B)											
DN350	78	476.3	12-27	247	363	379	442	510	206	POADA-1200	403	466	510	226	POASR-1750K(B)											
DN400	102	539.8	16-27	275	375	403	466	557	226	POADA-1750	438	501	557	258	POASR-2100K(B)											
DN450	114	577.9	16-30	307	406	438	501	660	258	POADA-2100	479	542	660	293	POASR-2500K(B)											
DN500	127	650	20-30	330	438	479	542	727	293	POADA-2500	-	-	-	-	-											

POV VALVE PO8-SERIES BUTTERFLY VALVE

## PO8-WP-I : PNEUMATIC INTELLIGENT REGULATING TYPE NON-EX /EX-PROOF TYPE

### DIMENSIONS OF PNEUMATIC BUTTERFLY VALVE IN RATING JIS5K

	Size	L	JIS standard (JIS 5K)		H1	H2	H3	H4	W	B	POADA Model	H3	H4	W	B	POASR Model										
			ΦA	N-M													DOUBLE ACTING TYPE					SINGLE ACTING TYPE				
JIS 5K PRESSURE RATING	DN25	33	75	4-10	46	94	219	282	145	72	POADA-20	219	282	145	72	POASR-20K(B)										
	DN32	33	90	4-12	46	94	219	282	145	72	POADA-20	219	282	145	72	POASR-20K(B)										
	DN40	33	95	4-12	53	94	219	282	145	72	POADA-20	219	282	145	72	POASR-20K(B)										
	DN50	42	105	4-12	55	140	219	282	145	72	POADA-20	235	298	145	83	POASR-40K(B)										
	DN65	44	130	4-12	64	153	219	282	145	72	POADA-20	235	298	145	83	POASR-40K(B)										
	DN80	44	145	4-16	73	159	235	298	168	83	POADA-40	247	310	168	95	POASR-80K(B)										
	DN100	50	165	8-16	88	182	247	310	182	95	POADA-80	257	320	182	103	POASR-130K(B)										
	DN125	56	200	8-16	102	190	257	320	202	103	POADA-130	282	345	202	120	POASR-200K(B)										
	DN150	56	230	8-16	115	203	282	345	268	120	POADA-200	304	367	268	142	POASR-300K(B)										
	DN200	60	280	8-20	145	245	304	367	300	142	POADA-300	321	384	300	155	POASR-500K(B)										
	DN250	68	345	12-20	184	273	321	384	395	155	POADA-500	345	408	395	174	POASR-850K(B)										
	DN300	78	390	12-20	207	311	345	408	462	174	POADA-850	379	442	462	206	POASR-1200K(B)										
	DN350	78	435	12-22	247	363	379	442	510	206	POADA-1200	403	466	510	226	POASR-1750K(B)										
	DN400	102	495	16-22	275	375	403	466	557	226	POADA-1750	438	501	557	258	POASR-2100K(B)										
	DN450	114	555	16-22	307	406	438	501	660	258	POADA-2100	479	542	660	293	POASR-2500K(B)										
DN500	127	650	20-30	330	438	479	542	727	293	POADA-2500	-	-	-	-	-											

### DIMENSIONS OF PNEUMATIC BUTTERFLY VALVE IN RATING JIS10K

	Size	L	JIS standard (JIS 10K)		H1	H2	H3	H4	W	B	POADA Model	H3	H4	W	B	POASR Model										
			ΦA	N-M													DOUBLE ACTING TYPE					SINGLE ACTING TYPE				
JIS 10K PRESSURE RATING	DN25	33	90	4-12	46	94	219	282	145	72	POADA-20	219	282	145	72	POASR-20K(B)										
	DN32	33	100	4-16	46	94	219	282	145	72	POADA-20	219	282	145	72	POASR-20K(B)										
	DN40	33	105	4-16	53	94	219	282	145	72	POADA-20	219	282	145	72	POASR-20K(B)										
	DN50	42	120	4-16	55	140	219	282	145	72	POADA-20	235	298	145	83	POASR-40K(B)										
	DN65	44	140	4-16	64	153	219	282	145	72	POADA-20	235	298	145	83	POASR-40K(B)										
	DN80	44	150	8-16	73	159	235	298	168	83	POADA-40	247	310	168	95	POASR-80K(B)										
	DN100	50	175	8-16	88	182	247	310	182	95	POADA-80	257	320	182	103	POASR-130K(B)										
	DN125	56	210	8-20	102	190	257	320	202	103	POADA-130	282	345	202	120	POASR-200K(B)										
	DN150	56	240	8-20	115	203	282	345	268	120	POADA-200	304	367	268	142	POASR-300K(B)										
	DN200	60	290	12-20	145	245	304	367	300	142	POADA-300	321	384	300	155	POASR-500K(B)										
	DN250	68	355	12-22	184	273	321	384	395	155	POADA-500	345	408	395	174	POASR-850K(B)										
	DN300	78	400	16-22	207	311	345	408	462	174	POADA-850	379	442	462	206	POASR-1200K(B)										
	DN350	78	445	16-22	247	363	379	442	510	206	POADA-1200	403	466	510	226	POASR-1750K(B)										
	DN400	102	510	16-24	275	375	403	466	557	226	POADA-1750	438	501	557	258	POASR-2100K(B)										
	DN450	114	565	20-24	307	406	438	501	660	258	POADA-2100	479	542	660	293	POASR-2500K(B)										
DN500	127	650	20-30	330	438	479	542	727	293	POADA-2500	-	-	-	-	-											

### PO8-WP Series: PNEUMATIC BUTTERFLY VALVE WITH PISTON TYPE ACTUATOR

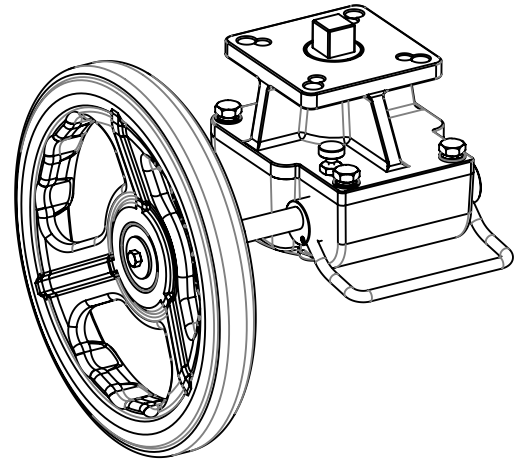
#### PO8-WP-D : PNEUMATIC ACTUATOR C/W MANUAL OVERRIDE

#### FEATURES

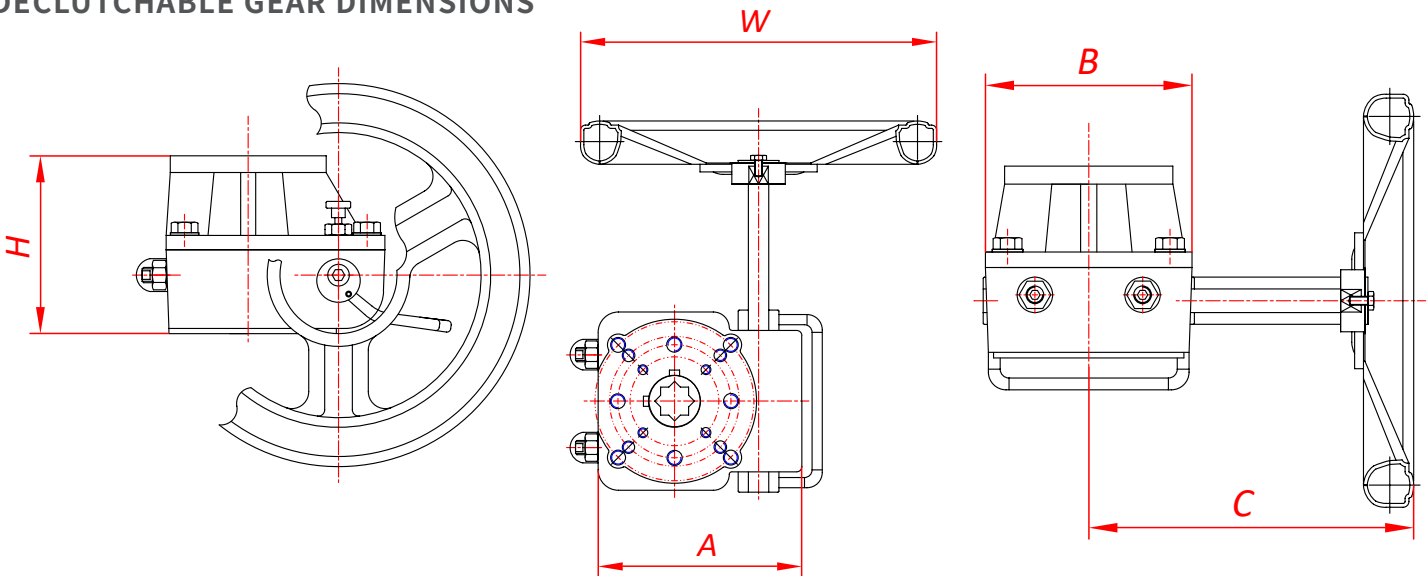
The POD Series declutchable gear is used to connect the pneumatic actuator and butterfly valves.

With the manual handwheel, the valve can be driven by pneumatically or manually when emergency case or power failure.

1. Compact size, light weight, reasonable design and novel style
2. The gear can matching with pneumatic devices and various valves.
3. Lift the limit pull ring, rotate the eccentric device 90 ° limit pin for automatic limit, and realize pneumatic operation, otherwise, realize manual operation.
4. The POD declutchable gear is equipped with special grease. After assembly with the valve, it is sealed as a whole to prevent dust and water The protection grade is IP65, IP67 and IP68.
5. The POD declutchable gear can be assembled with double acting or single acting actuator.
6. The POD declutchable gear can be equipped with all kinds of accessories to achieve the function of ON-OFF, Regulating, Remote control, available with Non-Explosion-proof type or ExmbIICT4/ EX d IIB T6/ EX d IIC T6/ EX ia IIC T6.



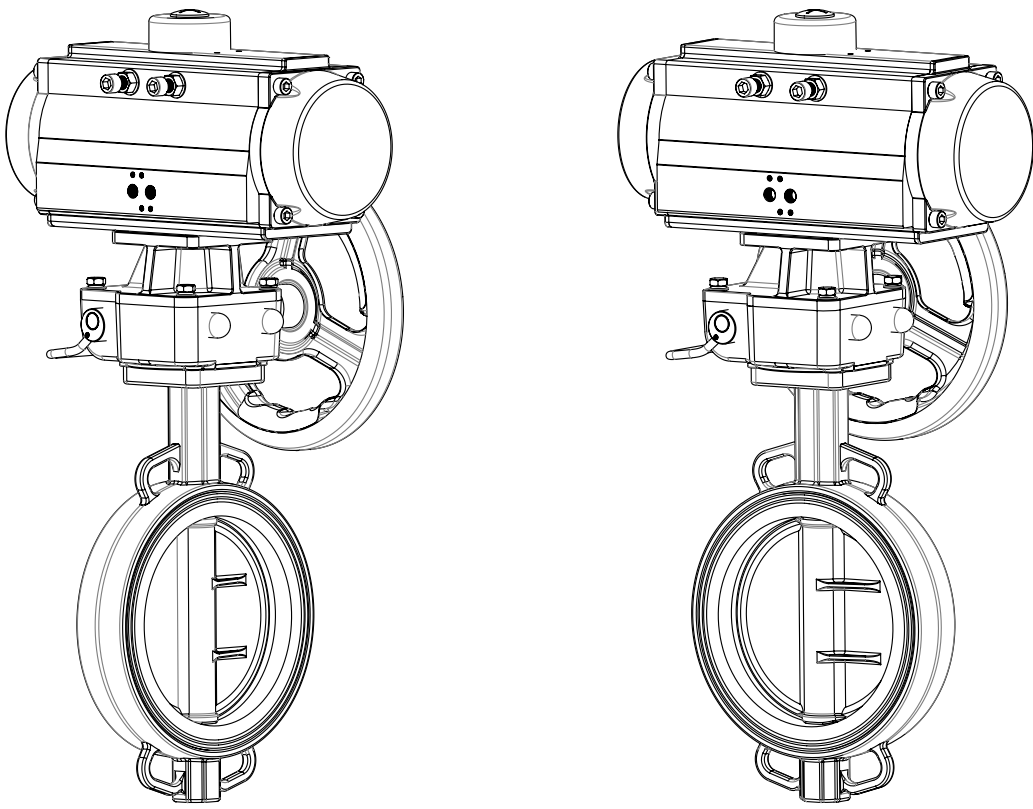
#### DECLUTCHABLE GEAR DIMENSIONS



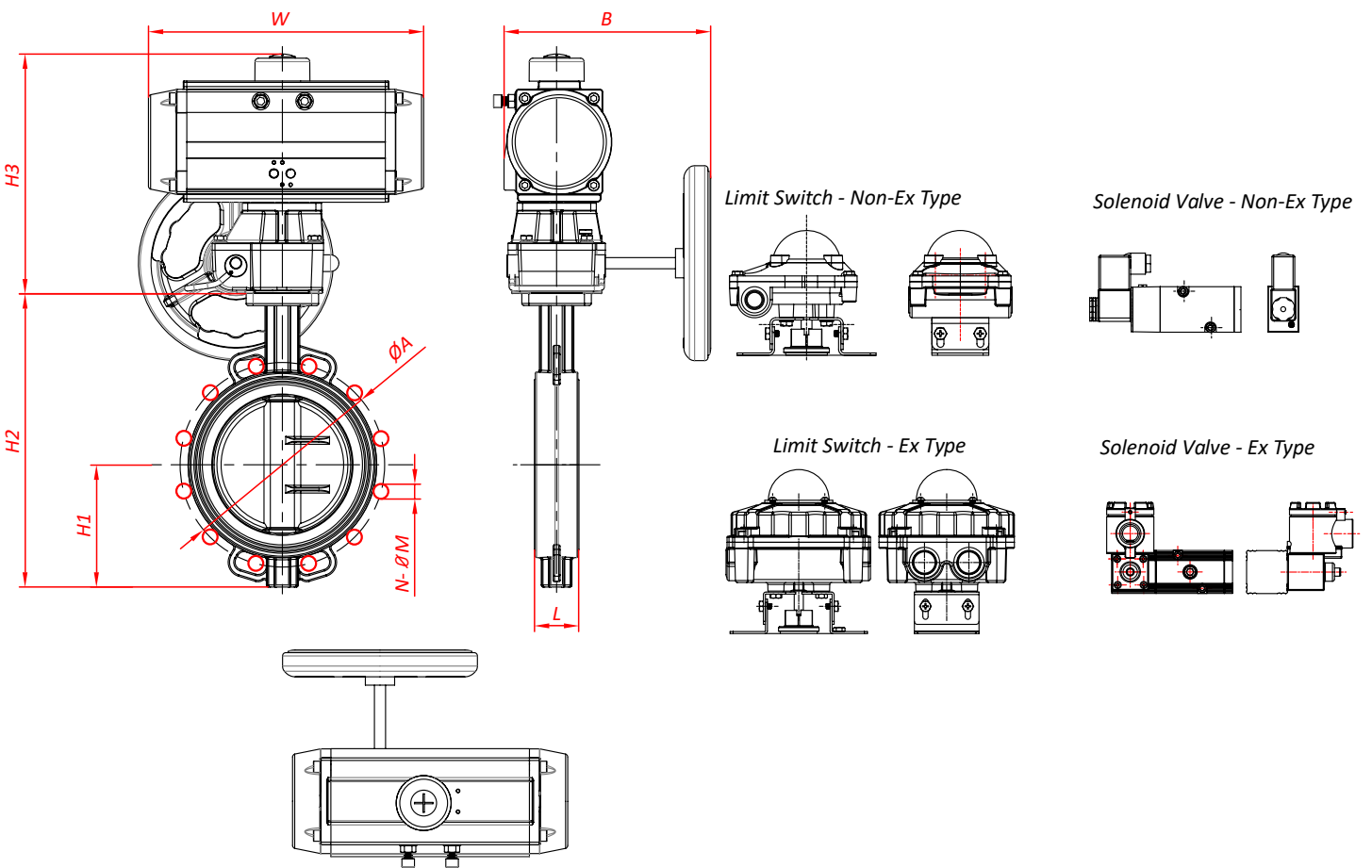
Model	POD-01	POD-02	POD-03	POD-04	POD-05	POD-06
A	115	135	166	202	256	298
B	90	125	140	188	232	275
C	144	178	212	280	305	410
H	104	115	158	165	170	188
W	180	200	280	320	400	500
POADA Model	POADA-20 POADA-40 POADA-80 POADA-130	POADA-200	POADA-300 POADA-500	POADA-850 POADA-1200	POADA-1750 POADA-2100	POADA-2500
POASR Model	POASR-20K(B) POASR-40K(B) POASR-80K(B) POASR-130K(B)	POASR-200K(B)	POASR-300K(B)	POASR-500K(B) POASR-850K(B)	POASR-1200K(B) POASR-1750K(B)	POASR-2100K(B) POASR-2500K(B)

**PO8-WP-D:  
PNEUMATIC ACTUATOR C/W MANUAL OVERRIDE**

**FEATURES**

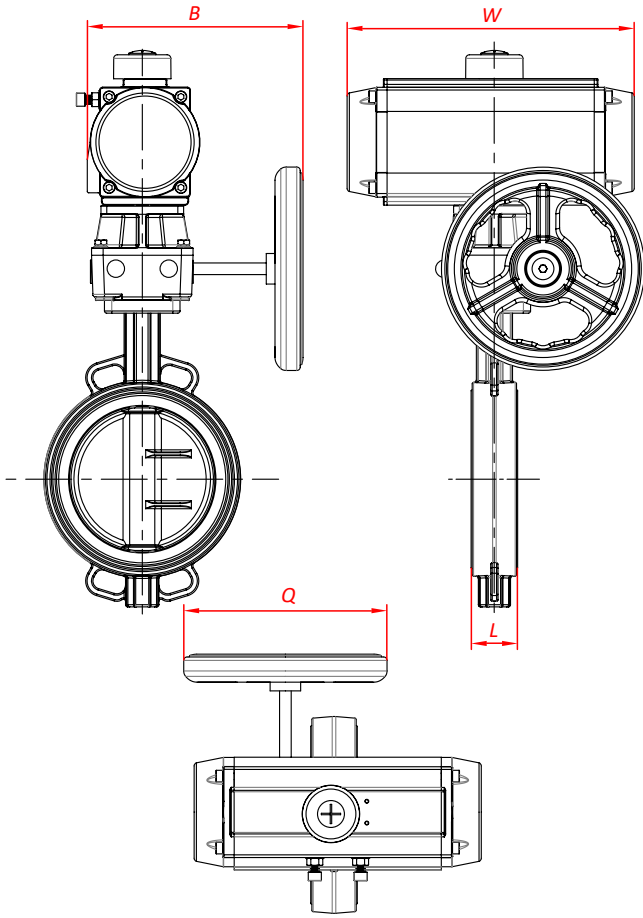


**DIMENSIONS**

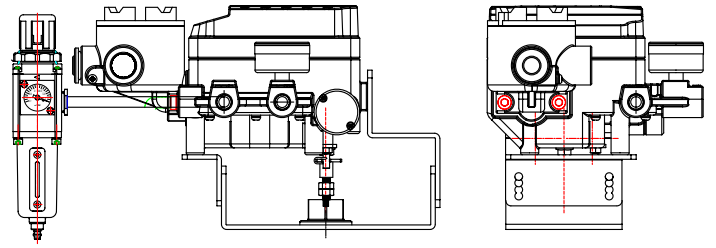


**PO8-WP-D:  
PNEUMATIC ACTUATOR C/W MANUAL OVERRIDE**

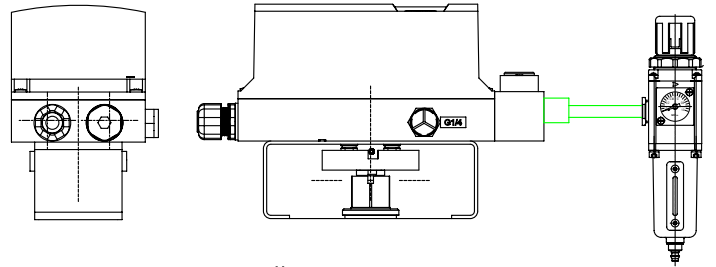
**DIMENSIONS**



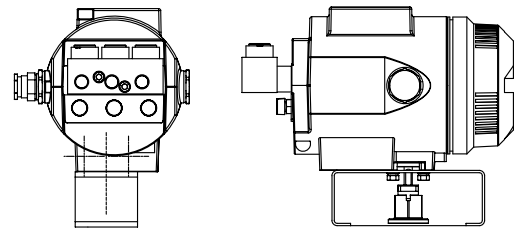
*Positioner - Mechanical - Non-Ex/ Ex Type*



*Positioner - Intelligent - Non-Ex Type*



*Positioner - Intelligent - Ex Type*



**DIMENSIONS OF PNEUMATIC BUTTERFLY VALVE IN RATING PN10**

	Size	L	GB standard (PN10)		H1	H2	H3	W	B	Q	POADA Model	H3	W	B	Q	POASR Model										
			ΦA	N-M													DOUBLE ACTING TYPE					SINGLE ACTING TYPE				
PN10 PRESSURE RATING	DN25	33	85	4-12	46	94	176	145	174	180	POADA-20	176	145	174	180	POASR-20K(B)										
	DN32	33	100	4-16	46	94	176	145	174	180	POADA-20	176	145	174	180	POASR-20K(B)										
	DN40	33	110	4-16	53	94	176	145	174	180	POADA-20	176	145	174	180	POASR-20K(B)										
	DN50	42	125	4-16	55	140	176	145	174	180	POADA-20	192	168	180	180	POASR-40K(B)										
	DN65	44	145	4-16	64	153	176	145	174	180	POADA-20	192	168	180	180	POASR-40K(B)										
	DN80	44	160	8-16	73	159	192	168	180	180	POADA-40	204	182	186	180	POASR-80K(B)										
	DN100	50	180	8-16	88	182	204	182	186	180	POADA-80	214	202	190	180	POASR-130K(B)										
	DN125	56	210	8-16	102	190	214	202	190	180	POADA-130	250	268	235	200	POASR-200K(B)										
	DN150	56	240	8-20	115	203	250	268	235	200	POADA-200	315	300	279	280	POASR-300K(B)										
	DN200	60	295	8-20	145	245	315	300	279	280	POADA-300	339	395	355	320	POASR-500K(B)										
	DN250	68	350	12-20	184	273	332	395	287	280	POADA-500	363	462	367	320	POASR-850K(B)										
	DN300	78	400	12-20	207	311	363	462	367	320	POADA-850	402	510	408	400	POASR-1200K(B)										
	DN350	78	460	16-20	247	363	397	510	383	320	POADA-1200	426	557	418	400	POASR-1750K(B)										
	DN400	102	515	16-24	275	375	426	557	418	400	POADA-1750	479	660	540	500	POASR-2100K(B)										
DN450	114	565	20-24	307	406	461	660	435	400	POADA-2100	520	727	556	500	POASR-2500K(B)											
DN500	127	620	20-24	330	438	520	727	556	500	POADA-2500	-	-	-	-	-											

## PO8-WP-D: PNEUMATIC ACTUATOR C/W MANUAL OVERRIDE

### DIMENSIONS OF PNEUMATIC BUTTERFLY VALVE IN RATING PN16

	Size	L	GB standard (PN16)		H1	H2	H3	W	B	Q	POADA Model	H3	W	B	Q	POASR Model										
			ΦA	N-M													DOUBLE ACTING TYPE					SINGLE ACTING TYPE				
			PN16 PRESSURE RATING	DN25													33	85	4-12	46	94	176	145	174	180	POADA-20
DN32	33	100		4-16	46	94	176	145	174	180	POADA-20	176	145	174	180	POASR-20K(B)										
DN40	33	110		4-16	53	94	176	145	174	180	POADA-20	176	145	174	180	POASR-20K(B)										
DN50	42	125		4-16	55	140	176	145	174	180	POADA-20	192	168	180	180	POASR-40K(B)										
DN65	44	145		4-16	64	153	176	145	174	180	POADA-20	192	168	180	180	POASR-40K(B)										
DN80	44	160		8-16	73	159	192	168	180	180	POADA-40	204	182	186	180	POASR-80K(B)										
DN100	50	180		8-16	88	182	204	182	186	180	POADA-80	214	202	190	180	POASR-130K(B)										
DN125	56	210		8-16	102	190	214	202	190	180	POADA-130	250	268	235	200	POASR-200K(B)										
DN150	56	240		8-20	115	203	250	268	235	200	POADA-200	315	300	279	280	POASR-300K(B)										
DN200	60	295		12-20	145	245	315	300	279	280	POADA-300	339	395	355	320	POASR-500K(B)										
DN250	68	355		12-24	184	273	332	395	287	280	POADA-500	363	462	367	320	POASR-850K(B)										
DN300	78	410		12-24	207	311	363	462	367	320	POADA-850	402	510	408	400	POASR-1200K(B)										
DN350	78	470		16-24	247	363	397	510	383	320	POADA-1200	426	557	418	400	POASR-1750K(B)										
DN400	102	525		16-27	275	375	426	557	418	400	POADA-1750	479	660	540	500	POASR-2100K(B)										
DN450	114	585		20-27	307	406	461	660	435	400	POADA-2100	520	727	556	500	POASR-2500K(B)										
DN500	127	650	20-30	330	438	520	727	556	500	POADA-2500	-	-	-	-	-											

### DIMENSIONS OF PNEUMATIC BUTTERFLY VALVE IN RATING CLASS150LBS

	Size	L	ANSI standard (CLASS 150LBS)		H1	H2	H3	W	B	Q	POADA Model	H3	W	B	Q	POASR Model										
			ΦA	N-M													DOUBLE ACTING TYPE					SINGLE ACTING TYPE				
			CLASS 150LBS PRESSURE RATING	DN25													33	79.5	4-14	46	94	176	145	174	180	POADA-20
DN32	33	88.9		4-14	46	94	176	145	174	180	POADA-20	176	145	174	180	POASR-20K(B)										
DN40	33	98.5		4-14	53	94	176	145	174	180	POADA-20	176	145	174	180	POASR-20K(B)										
DN50	42	120.7		4-16	55	140	176	145	174	180	POADA-20	192	168	180	180	POASR-40K(B)										
DN65	44	139.7		4-16	64	153	176	145	174	180	POADA-20	192	168	180	180	POASR-40K(B)										
DN80	44	152.4		4-16	73	159	192	168	180	180	POADA-40	204	182	186	180	POASR-80K(B)										
DN100	50	190.5		8-16	88	182	204	182	186	180	POADA-80	214	202	190	180	POASR-130K(B)										
DN125	56	215.9		8-20	102	190	214	202	190	180	POADA-130	250	268	235	200	POASR-200K(B)										
DN150	56	241.3		8-20	115	203	250	268	235	200	POADA-200	315	300	279	280	POASR-300K(B)										
DN200	60	298.5		8-20	145	245	315	300	279	280	POADA-300	339	395	355	320	POASR-500K(B)										
DN250	68	362		12-24	184	273	332	395	287	280	POADA-500	363	462	367	320	POASR-850K(B)										
DN300	78	431.8		12-24	207	311	363	462	367	320	POADA-850	402	510	408	400	POASR-1200K(B)										
DN350	78	476.3		12-27	247	363	397	510	383	320	POADA-1200	426	557	418	400	POASR-1750K(B)										
DN400	102	539.8		16-27	275	375	426	557	418	400	POADA-1750	479	660	540	500	POASR-2100K(B)										
DN450	114	577.9		16-30	307	406	461	660	435	400	POADA-2100	520	727	556	500	POASR-2500K(B)										
DN500	127	650	20-30	330	438	520	727	556	500	POADA-2500	-	-	-	-	-											

**PO8-WP-D:  
PNEUMATIC ACTUATOR C/W MANUAL OVERRIDE**
**DIMENSIONS OF PNEUMATIC BUTTERFLY VALVE IN RATING JIS5K**

	Size	L	JIS standard (JIS 5K)		H1	H2	H3	W	B	Q	POADA Model	H3	W	B	Q	POASR Model										
			ΦA	N-M													DOUBLE ACTING TYPE					SINGLE ACTING TYPE				
			JIS 5K PRESSURE RATING	DN25													33	75	4-10	46	94	176	145	174	180	POADA-20
DN32	33	90		4-12	46	94	176	145	174	180	POADA-20	176	145	174	180	POASR-20K(B)										
DN40	33	95		4-12	53	94	176	145	174	180	POADA-20	176	145	174	180	POASR-20K(B)										
DN50	42	105		4-12	55	140	176	145	174	180	POADA-20	192	168	180	180	POASR-40K(B)										
DN65	44	130		4-12	64	153	176	145	174	180	POADA-20	192	168	180	180	POASR-40K(B)										
DN80	44	145		4-16	73	159	192	168	180	180	POADA-40	204	182	186	180	POASR-80K(B)										
DN100	50	165		8-16	88	182	204	182	186	180	POADA-80	214	202	190	180	POASR-130K(B)										
DN125	56	200		8-16	102	190	214	202	190	180	POADA-130	250	268	235	200	POASR-200K(B)										
DN150	56	230		8-16	115	203	250	268	235	200	POADA-200	315	300	279	280	POASR-300K(B)										
DN200	60	280		8-20	145	245	315	300	279	280	POADA-300	339	395	355	320	POASR-500K(B)										
DN250	68	345		12-20	184	273	332	395	287	280	POADA-500	363	462	367	320	POASR-850K(B)										
DN300	78	390		12-20	207	311	363	462	367	320	POADA-850	402	510	408	400	POASR-1200K(B)										
DN350	78	435		12-22	247	363	397	510	383	320	POADA-1200	426	557	418	400	POASR-1750K(B)										
DN400	102	495		16-22	275	375	426	557	418	400	POADA-1750	479	660	540	500	POASR-2100K(B)										
DN450	114	555		16-22	307	406	461	660	435	400	POADA-2100	520	727	556	500	POASR-2500K(B)										
DN500	127	650	20-30	330	438	520	727	556	500	POADA-2500	-	-	-	-	-											

**DIMENSIONS OF PNEUMATIC BUTTERFLY VALVE IN RATING JIS10K**

	Size	L	JIS standard (JIS 10K)		H1	H2	H3	W	B	Q	POADA Model	H3	W	B	Q	POASR Model										
			ΦA	N-M													DOUBLE ACTING TYPE					SINGLE ACTING TYPE				
			JIS 10K PRESSURE RATING	DN25													33	90	4-12	46	94	176	145	174	180	POADA-20
DN32	33	100		4-16	46	94	176	145	174	180	POADA-20	176	145	174	180	POASR-20K(B)										
DN40	33	105		4-16	53	94	176	145	174	180	POADA-20	176	145	174	180	POASR-20K(B)										
DN50	42	120		4-16	55	140	176	145	174	180	POADA-20	192	168	180	180	POASR-40K(B)										
DN65	44	140		4-16	64	153	176	145	174	180	POADA-20	192	168	180	180	POASR-40K(B)										
DN80	44	150		8-16	73	159	192	168	180	180	POADA-40	204	182	186	180	POASR-80K(B)										
DN100	50	175		8-16	88	182	204	182	186	180	POADA-80	214	202	190	180	POASR-130K(B)										
DN125	56	210		8-20	102	190	214	202	190	180	POADA-130	250	268	235	200	POASR-200K(B)										
DN150	56	240		8-20	115	203	250	268	235	200	POADA-200	315	300	279	280	POASR-300K(B)										
DN200	60	290		12-20	145	245	315	300	279	280	POADA-300	339	395	355	320	POASR-500K(B)										
DN250	68	355		12-22	184	273	332	395	287	280	POADA-500	363	462	367	320	POASR-850K(B)										
DN300	78	400		16-22	207	311	363	462	367	320	POADA-850	402	510	408	400	POASR-1200K(B)										
DN350	78	445		16-22	247	363	397	510	383	320	POADA-1200	426	557	418	400	POASR-1750K(B)										
DN400	102	510		16-24	275	375	426	557	418	400	POADA-1750	479	660	540	500	POASR-2100K(B)										
DN450	114	565		20-24	307	406	461	660	435	400	POADA-2100	520	727	556	500	POASR-2500K(B)										
DN500	127	650	20-30	330	438	520	727	556	500	POADA-2500	-	-	-	-	-											



# PO8-W SERIES: WAFER TYPE SOFT SEATED BUTTERFLY VALVE

## PO8-WY Series: PNEUMATIC BUTTERFLY VALVE WITH SCOTCH&YOKE ACTUATOR

### DESCRIPTION

POR series pneumatic actuators are scotch&yoke type rotary actuators, divided into double acting and single acting (spring return), driven by compressed air (0.3Mpa-0.7Mpa).

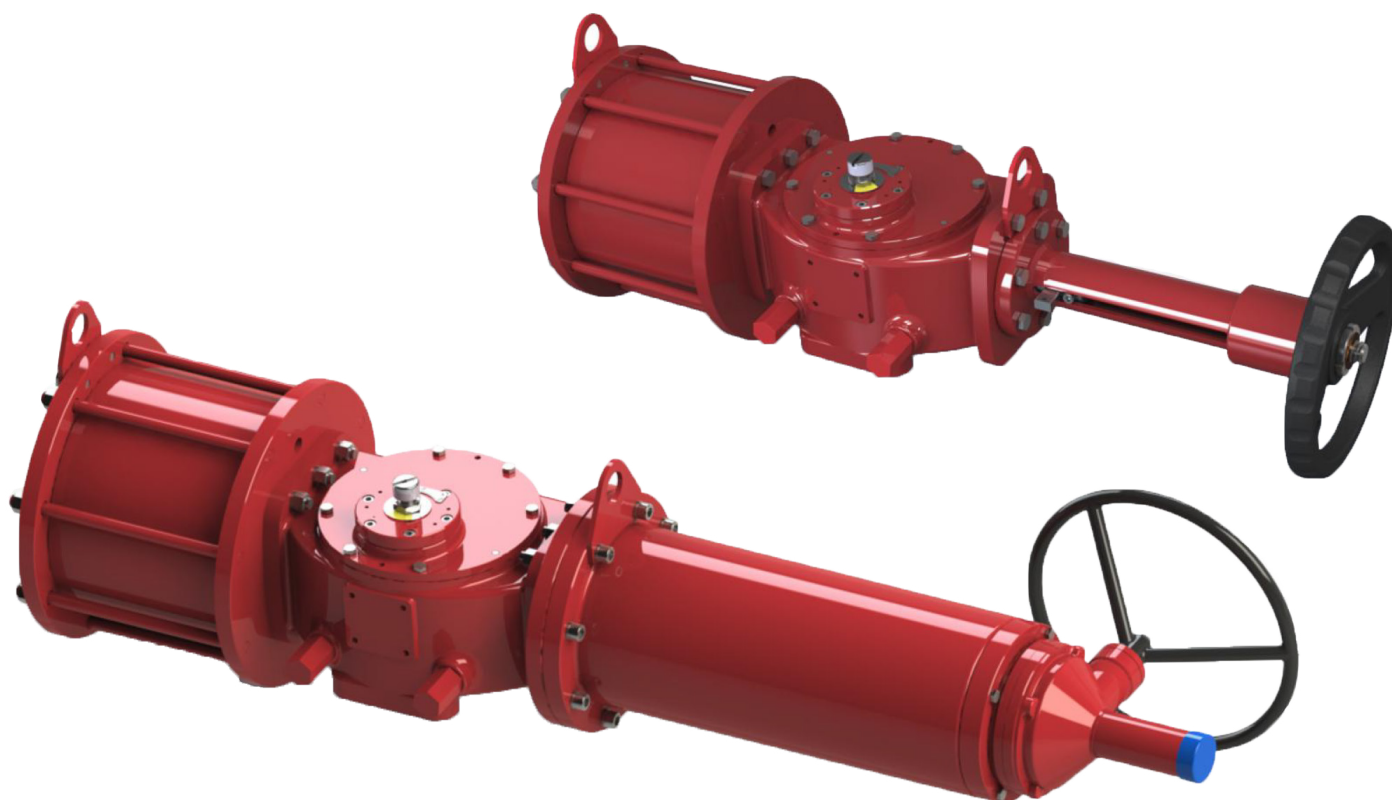
For large-diameter soft seated wafer type butterfly valve, the scotch&yoke type transmission structure has large output torque, flexible and stable action, which can provide a strong driving force for large-diameter soft seated wafer type butterfly valve.

POR series pneumatic actuator adopts modular optimization design, which is mainly composed of drive module, pneumatic module, spring module and manual module. POR series pneumatic actuators are equipped with modular manual mechanisms to operate the valves in case of failure or emergency. When the air source fails or requires manual operation alone, the manual mechanism can be used to open and close or debug the valves.

The U-shaped curve characteristic output torque of POR series pneumatic actuator is more suitable for switching and regulating large caliber butterfly valves.

POR series scotch&yoke type pneumatic actuator is equipped with a variety of adaptive platforms, including the installation platform for position indicator (limit switch) and accessory installation platform for various control needs.

For more details, please check POV POR Actuator catalog.



# SOFT SEATED BUTTERFLY VALVE



**PO8-WY**

## PO8-WY Series: PNEUMATIC BUTTERFLY VALVE WITH SCOTCH&YOKE ACTUATOR

### ORDERING CODE

PO 8 6 7   - 1       - W Y -

Seal Material	
2	EPDM
3	NBR
4	PTFE
V	VITON
H	HYPALON
Q	SILICON RUBBER
P	POLYURETHANE
F	Others

Body Material	
2	Ductile Cast Iron
3	A216 WCB
A	A351 CF8 / SS304
B	A351 CF8M / SS316
C	A351 CF3M / SS316L
E	Duplex S.S. 2205
F	Others

Disc Material	
2	DI c/w Nickel Coated
3	A216 WCB
A	A351 CF8 / SS304
B	A351 CF8M / SS316
C	A351 CF3M / SS316L
D	Duplex S.S. 2507
E	Duplex S.S. 2205
G	Super S.S. 1.4529
K	B148 C95400
N	B148 C95800
H	Halar Coated
R	Rubber Coated
L	Nylon Coated
F	Others

Pressure Rating	
2	PN10
3	PN16
A	CLASS150LB
E	JIS 5K
F	JIS 10K

-         -

Acting Type	
D	Double Acting Type
O	Fail Open
C	Fail Close

Explosion-Proof Grade	
0	NA
1	EXd II CT6
2	EXd II CT5
3	EX ia IICT6

Manual Override	
0	NA
M	Handwheel Type
G	Gear Operator Type
H	Hydraulic Type

Actuator Installation Direction	
A	VERTICAL Type
B	PARALLEL Type

-         -

Accessory	
BLANK	NA
L	Limit Switch

Accessory	
BLANK	NA
S	Solenoid Valve

Accessory	
BLANK	NA
A	Air Set

Accessory	
BLANK	NA
M	Mechanical Positioner
I	Intelligent Positioner

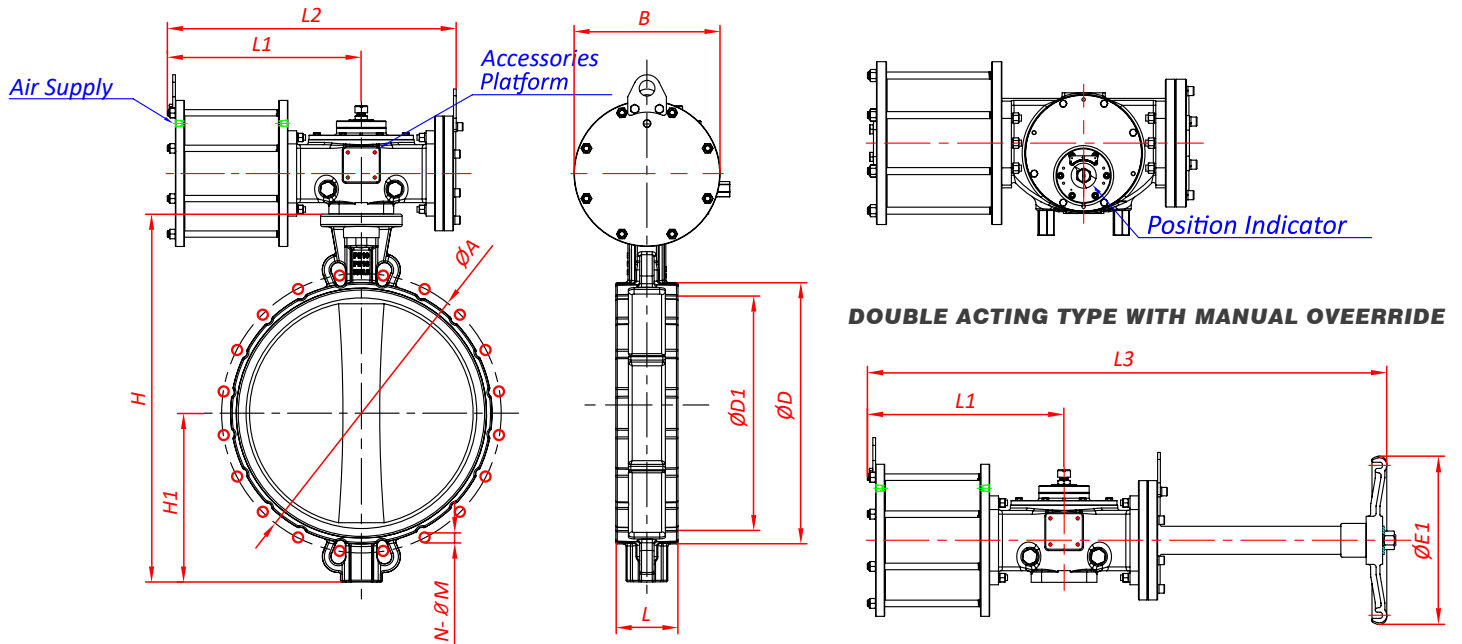
Example: PO8672-12A2-WY-C0MA-AI: Pneumatic Butterfly Valve, Ductile Cast Iron Body, SS304 Disc, EPDM Seat, PN10, with Pneumatic Scotch&Yoke type, Actuator, Single acting fail close, Vertical type, c/w Air set and Intelligent positioner.

POV VALVE PO8-SERIES BUTTERFLY VALVE

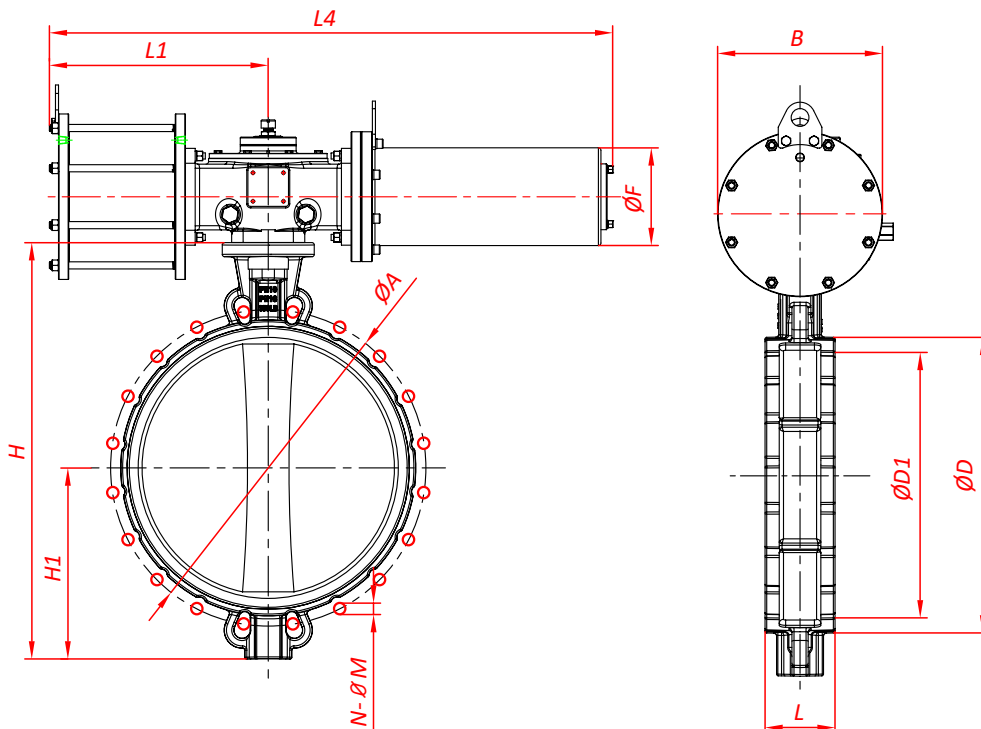
**PO8-WY Series:  
PNEUMATIC BUTTERFLY VALVE WITH SCOTCH&YOKE ACTUATOR**

**DIMENSIONS**

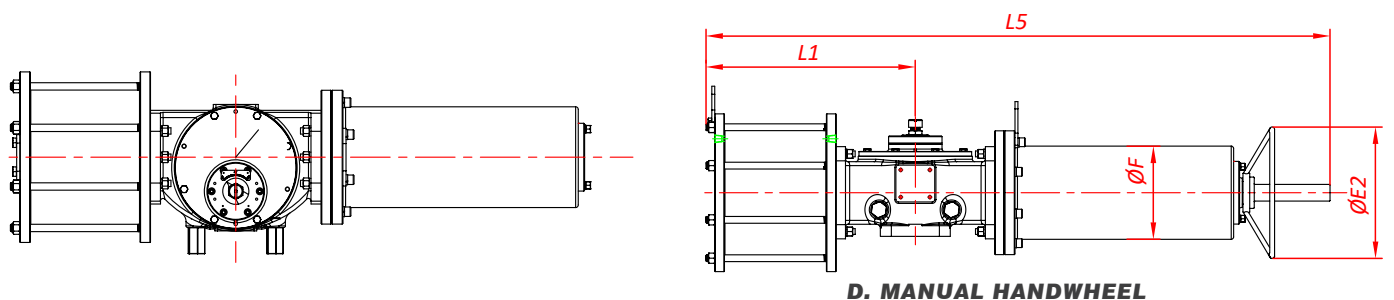
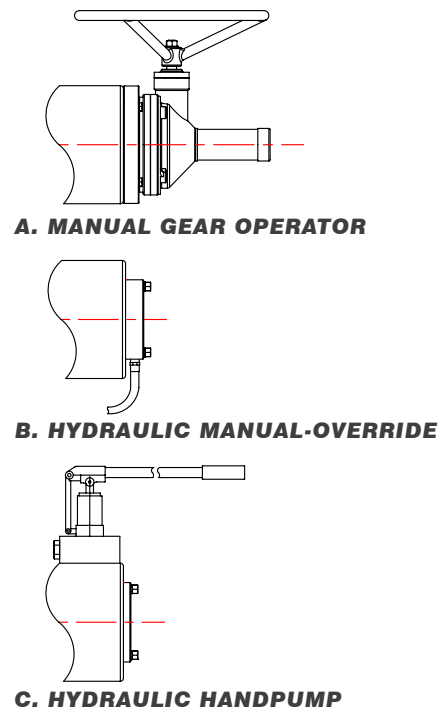
**DOUBLE ACTING TYPE**



**SINGLE ACTING TYPE**



**SINGLE ACTING TYPE WITH MANUAL OVERRIDE**



**D. MANUAL HANDWHEEL**

## PO8-WY Series: PNEUMATIC BUTTERFLY VALVE WITH SCOTCH&YOKE ACTUATOR

### DIMENSIONS OF PNEUMATIC BUTTERFLY VALVE IN RATING PN10

PN10 PRESSURE RATING	Size	L	GB standard (PN10)		H1	H2	L1	L2	L3	B	E1	POR Model	L1	L4	L5	B	F	E2	POR Model
			ΦA	N-M															
			DOUBLE ACTING TYPE																
DN500	127	650	20-30	330	768	428	606	975	375	300	POR-2K-300	522	1410	1760	435	235	400	POR-4K-350-TH01	
DN600	151	725	20-27	400	519	428	606	975	435	300	POR-2K-350	522	1455	1805	435	235	400	POR-4K-350-TH02	
DN700	163	840	24-27	520	624	522	738	1165	435	350	POR-4K-400	650	1745	2095	540	299	450	POR-8K-450-TH03	
DN800	190	950	24-30	591	672	650	925	1440	485	450	POR-8K-400	699	1920	2350	590	370	500	POR-16K-500-TH02	
DN900	203	1050	28-30	656	720	650	925	1440	540	450	POR-8K-450	699	1950	2380	645	370	500	POR-16K-550-TH03	
DN1000	216	1160	28-33	722	800	699	994	1550	540	500	POR-16K-450	806	2240	2760	695	420	500	POR-32K-600-TH02	

### DIMENSIONS OF PNEUMATIC BUTTERFLY VALVE IN RATING PN16

PN16 PRESSURE RATING	Size	L	GB standard (PN16)		H1	H2	L1	L2	L3	B	E1	POR Model	L1	L4	L5	B	F	E2	POR Model
			ΦA	N-M															
			DOUBLE ACTING TYPE																
DN500	127	650	20-30	330	768	428	606	975	375	300	POR-2K-300	522	1410	1760	435	235	400	POR-4K-350-TH01	
DN600	151	770	20-33	400	519	428	606	975	435	300	POR-2K-350	522	1455	1805	435	235	400	POR-4K-350-TH02	
DN700	163	840	24-33	520	624	522	738	1165	435	350	POR-4K-400	650	1745	2095	540	299	450	POR-8K-450-TH03	
DN800	190	950	24-36	591	672	650	925	1440	485	450	POR-8K-400	699	1920	2350	590	370	500	POR-16K-500-TH02	
DN900	203	1050	28-36	656	720	650	925	1440	540	450	POR-8K-450	699	1950	2380	645	370	500	POR-16K-550-TH03	
DN1000	216	1170	28-39	722	800	699	994	1550	540	500	POR-16K-450	806	2240	2760	695	420	500	POR-32K-600-TH02	

### DIMENSIONS OF PNEUMATIC BUTTERFLY VALVE IN RATING CLASS150LBS

CL.150# PRESSURE RATING	Size	L	ANSI standard (CL.150LBS)		H1	H2	L1	L2	L3	B	E1	POR Model	L1	L4	L5	B	F	E2	POR Model
			ΦA	N-M															
			DOUBLE ACTING TYPE																
DN500	127	635	20-30	330	768	428	606	975	375	300	POR-2K-300	522	1410	1760	435	235	400	POR-4K-350-TH01	
DN600	151	749.3	20-33	400	519	428	606	975	435	300	POR-2K-350	522	1455	1805	435	235	400	POR-4K-350-TH02	
DN700	163	863.6	28-33	520	624	522	738	1165	435	350	POR-4K-400	650	1745	2095	540	299	450	POR-8K-450-TH03	
DN800	190	977.9	28-39	591	672	650	925	1440	485	450	POR-8K-400	699	1920	2350	590	370	500	POR-16K-500-TH02	
DN900	203	1085.8	32-39	656	720	650	925	1440	540	450	POR-8K-450	699	1950	2380	645	370	500	POR-16K-550-TH03	
DN1000	216	1200.2	36-39	722	800	699	994	1550	540	500	POR-16K-450	806	2240	2760	695	420	500	POR-32K-600-TH02	

### PO8-WY Series: PNEUMATIC BUTTERFLY VALVE WITH SCOTCH&YOKE ACTUATOR

#### DIMENSIONS OF PNEUMATIC BUTTERFLY VALVE IN RATING JIS5K

JIS 5K PRESSURE RATING	Size	L	JIS standard (JIS 5K)		H1	H2	L1	L2	L3	B	E1	POR Model	L1	L4	L5	B	F	E2	POR Model										
			Φ A	N-M																DOUBLE ACTING TYPE					SINGLE ACTING TYPE				
			DN500	127																605	20-22	330	768	428	606	975	375	300	POR-2K-300
DN600	151	715	20-24	400	519	428	606	975	435	300	POR-2K-350	522	1455	1805	435	235	400	POR-4K-350-TH02											
DN700	163	820	24-30	520	624	522	738	1165	435	350	POR-4K-400	650	1745	2095	540	299	450	POR-8K-450-TH03											
DN800	190	930	24-30	591	672	650	925	1440	485	450	POR-8K-400	699	1920	2350	590	370	500	POR-16K-500-TH02											
DN900	203	1030	24-30	656	720	650	925	1440	540	450	POR-8K-450	699	1950	2380	645	370	500	POR-16K-550-TH03											
DN1000	216	1130	28-30	722	800	699	994	1550	540	500	POR-16K-450	806	2240	2760	695	420	500	POR-32K-600-TH02											

#### DIMENSIONS OF PNEUMATIC BUTTERFLY VALVE IN RATING JIS10K

JIS 10K PRESSURE RATING	Size	L	JIS standard (JIS 10K)		H1	H2	L1	L2	L3	B	E1	POR Model	L1	L4	L5	B	F	E2	POR Model										
			Φ A	N-M																DOUBLE ACTING TYPE					SINGLE ACTING TYPE				
			DN500	127																620	20-24	330	768	428	606	975	375	300	POR-2K-300
DN600	151	730	24-30	400	519	428	606	975	435	300	POR-2K-350	522	1455	1805	435	235	400	POR-4K-350-TH02											
DN700	163	840	24-30	520	624	522	738	1165	435	350	POR-4K-400	650	1745	2095	540	299	450	POR-8K-450-TH03											
DN800	190	950	28-30	591	672	650	925	1440	485	450	POR-8K-400	699	1920	2350	590	370	500	POR-16K-500-TH02											
DN900	203	1050	28-30	656	720	650	925	1440	540	450	POR-8K-450	699	1950	2380	645	370	500	POR-16K-550-TH03											
DN1000	216	1160	28-36	722	800	699	994	1550	540	500	POR-16K-450	806	2240	2760	695	420	500	POR-32K-600-TH02											

★★★★★ Important Note:

The configuration and choose of pneumatic scotch&yoke type actuator for butterfly valve is changeable and not fix.  
The actuator choose is only for reference.

If you need more options for actuator torque and more details for POR actuator, please consult POV team for more details.



# PO8-W SERIES: WAFER TYPE SOFT SEATED BUTTERFLY VALVE

## PO8-WT Series: WAFER TYPE SOFT SEATED BUTTERFLY VALVE WITH LONG STEM

### DESCRIPTION

The wafer type butterfly valve can be installed with extended long-long stem as per customer's site situation.

The long stem end can be equipped with manual handlever, gear operator, pneumatic actuator and electric actuator, to achieve 0~90° rotary operation and kinds of control ways.

The length of extended long stem can be decided by customer's requirements. Please consult with POV team.

### ORDERING CODE

PO **8**  **7**  - **1**    - **W** **T** -

Actuator Type	
1	Manual
6	Pneumatic
7	Hydraulic
9	Electric

Seal Material	
2	EPDM
3	NBR
4	PTFE
V	VITON
H	HYPALON
Q	SILICON RUBBER
P	POLYURETHANE
F	Others

Body Material	
2	Ductile Cast Iron
3	A216 WCB
A	A351 CF8 / SS304
B	A351 CF8M / SS316
C	A351 CF3M / SS316L
E	Duplex S.S. 2205
F	Others

Disc Material	
2	DI c/w Nickel Coated
3	A216 WCB
A	A351 CF8 / SS304
B	A351 CF8M / SS316
C	A351 CF3M / SS316L
D	Duplex S.S. 2507
E	Duplex S.S. 2205
G	Super S.S. 1.4529
K	B148 C95400
N	B148 C95800
H	Halar Coated
R	Rubber Coated
L	Nylon Coated
F	Others

Pressure Rating	
2	PN10
3	PN16
A	CLASS150LB
E	JIS 5K
F	JIS 10K

-    -

Actuation Type	
M	Manual Handlever
G	Manual Gear operator
E	Electric POE Actuator
Q	Electric POQ Actuator
Z	Electric POZ Actuator
P	Pneumatic Rack&Pinion Actuator
H	Hydraulic Actuator

Fail Position	
D	Fail Stay
O	Fail Open
C	Fail Close

Explosion-Proof Grade	
0	NA
1	EXd II CT6
2	EXd II CT5
3	EX ia IICT6

-      -

Accessory	
BLANK	NA
L	Limit Switch

Accessory	
BLANK	NA
S	Solenoid Valve

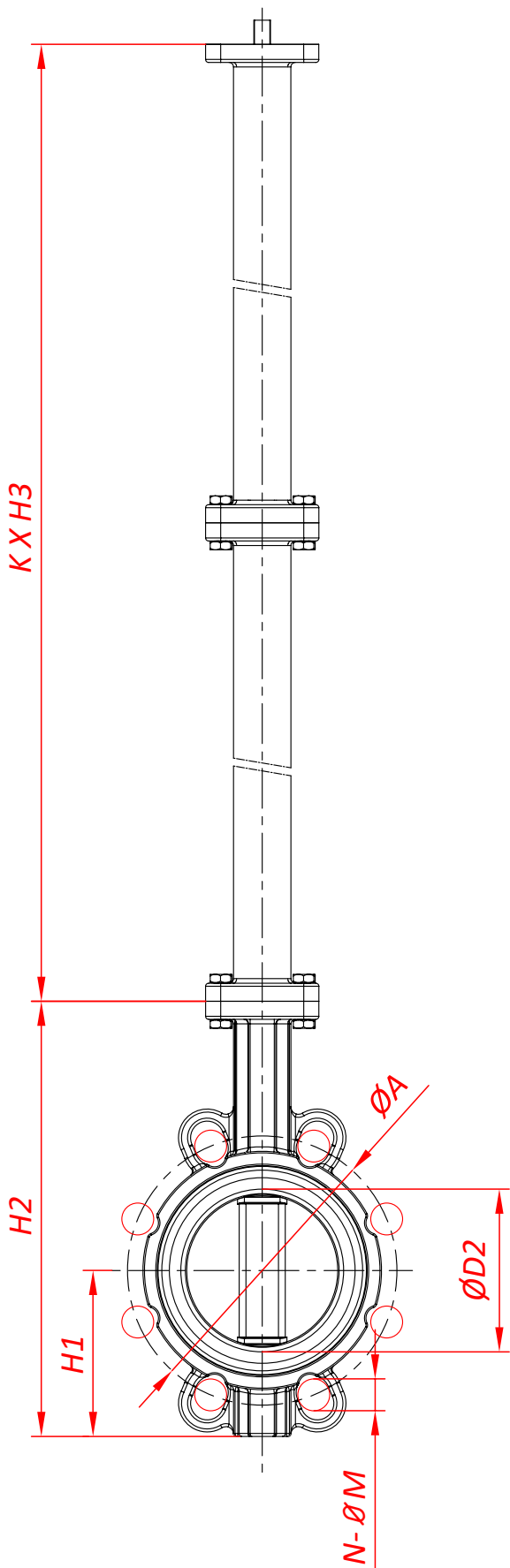
Accessory	
BLANK	NA
A	Air Set

Accessory	
BLANK	NA
D	Declutchable Gear

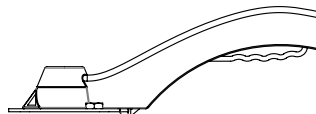
Accessory	
BLANK	NA
M	Mechanical Positioner
I	Intelligent Positioner

**PO8-WT Series:  
WAFER TYPE SOFT SEATED BUTTERFLY VALVE WITH LONG STEM**

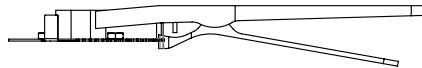
**DIMENSIONS**



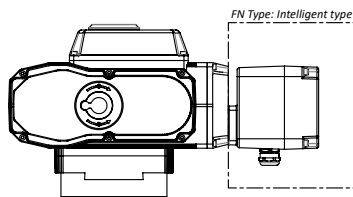
**M. MANUAL HANDLEVER - ALU ALLOY**



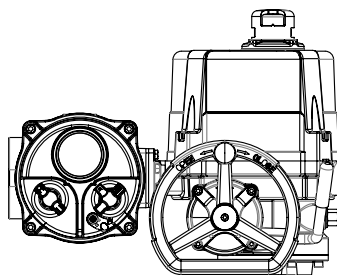
**M. MANUAL HANDLEVER - MILD STEEL**



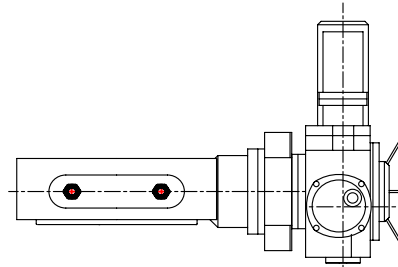
**E. MOTORIZED POE ACTUATOR**



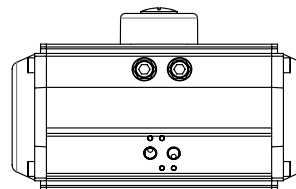
**Q. MOTORIZED POQ ACTUATOR**



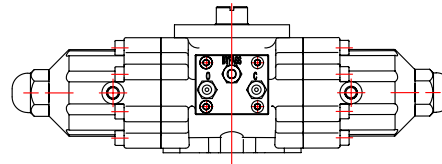
**Z. MOTORIZED POZ ACTUATOR**



**P. PNEUMATIC ACTUATOR**



**H. HYDRAULIC ACTUATOR**



## PO8-WT Series: WAFER TYPE SOFT SEATED BUTTERFLY VALVE WITH LONG STEM

### DIMENSIONS OF BUTTERFLY VALVE WITH LONG STEM IN RATING PN10

Size	L	GB standard (PN10)		H1	H2	D	D1	D2	K Stem Quantity	H3 Each Stem Height
		ΦA	N-M							
DN25	33	85	4-12	46	140	69	59	34	1~3	0.5~1.5meter
DN32	33	100	4-16	46	140	69	59	34	1~3	0.5~1.5meter
DN40	33	110	4-16	53	147	80	68	44	1~3	0.5~1.5meter
DN50	42	125	4-16	55	195	95	82	55	1~3	0.5~1.5meter
DN65	44	145	4-16	64	217	114	97	69	1~3	0.5~1.5meter
DN80	44	160	8-16	73	232	126	113	81	1~3	0.5~1.5meter
DN100	50	180	8-16	88	270	154	139	108	1~3	0.5~1.5meter
DN125	56	210	8-16	102	292	180	163	135	1~3	0.5~1.5meter
DN150	56	240	8-20	115	318	206	195	154	1~3	0.5~1.5meter
DN200	60	295	8-20	145	390	264	250	205	1~3	0.5~1.5meter
DN250	68	350	12-20	184	457	320	305	255	1~3	0.5~1.5meter
DN300	78	400	12-20	207	518	370	352	302	1~3	0.5~1.5meter
DN350	78	460	16-20	247	610	430	405	345	1~3	0.5~1.5meter
DN400	102	515	16-24	275	650	480	455	395	1~3	0.5~1.5meter
DN450	114	565	20-24	307	713	550	515	450	1~3	0.5~1.5meter
DN500	127	620	20-24	330	768	590	565	500	1~3	0.5~1.5meter
DN600	151	725	20-27	400	919	695	674	585	1~3	0.5~1.5meter
DN700	163	840	24-27	520	1144	787	760	705	1~3	0.5~1.5meter
DN800	190	950	24-30	591	1263	905	878	810	1~3	0.5~1.5meter
DN900	203	1050	28-30	656	1376	970	955	885	1~3	0.5~1.5meter
DN1000	216	1160	28-33	722	1522	1107	1053	961	1~3	0.5~1.5meter

### DIMENSIONS OF BUTTERFLY VALVE WITH LONG STEM IN RATING PN16

Size	L	GB standard (PN16)		H1	H2	D	D1	D2	K Stem Quantity	H3 Each Stem Height
		ΦA	N-M							
DN25	33	85	4-12	46	140	69	59	34	1~3	0.5~1.5meter
DN32	33	100	4-16	46	140	69	59	34	1~3	0.5~1.5meter
DN40	33	110	4-16	53	147	80	68	44	1~3	0.5~1.5meter
DN50	42	125	4-16	55	195	95	82	55	1~3	0.5~1.5meter
DN65	44	145	4-16	64	217	114	97	69	1~3	0.5~1.5meter
DN80	44	160	8-16	73	232	126	113	81	1~3	0.5~1.5meter
DN100	50	180	8-16	88	270	154	139	108	1~3	0.5~1.5meter
DN125	56	210	8-16	102	292	180	163	135	1~3	0.5~1.5meter
DN150	56	240	8-20	115	318	206	195	154	1~3	0.5~1.5meter
DN200	60	295	12-20	145	390	264	250	205	1~3	0.5~1.5meter
DN250	68	355	12-24	184	457	320	305	255	1~3	0.5~1.5meter
DN300	78	410	12-24	207	518	370	352	302	1~3	0.5~1.5meter
DN350	78	470	16-24	247	610	430	405	345	1~3	0.5~1.5meter
DN400	102	525	16-27	275	650	480	455	395	1~3	0.5~1.5meter
DN450	114	585	20-27	307	713	550	515	450	1~3	0.5~1.5meter
DN500	127	650	20-30	330	768	590	565	500	1~3	0.5~1.5meter
DN600	151	770	20-33	400	919	695	674	585	1~3	0.5~1.5meter
DN700	163	840	24-33	520	1144	787	760	705	1~3	0.5~1.5meter
DN800	190	950	24-36	591	1263	905	878	810	1~3	0.5~1.5meter
DN900	203	1050	28-36	656	1376	970	955	885	1~3	0.5~1.5meter
DN1000	216	1170	28-39	722	1522	1107	1053	961	1~3	0.5~1.5meter



**SOFT SEATED BUTTERFLY VALVE****PO8-WT****PO8-WT Series:****WAFER TYPE SOFT SEATED BUTTERFLY VALVE WITH LONG STEM****DIMENSIONS OF BUTTERFLY VALVE WITH LONG STEM IN RATING PN10**

Size	L	ANSI standard (CLASS 150LBS)		H1	H2	D	D1	D2	K Stem Quantity	H3 Each Stem Height
		ΦA	N-M							
DN25	33	79.5	4-14	46	140	69	59	34	1~3	0.5~1.5meter
DN32	33	88.9	4-14	46	140	69	59	34	1~3	0.5~1.5meter
DN40	33	98.5	4-14	53	147	80	68	44	1~3	0.5~1.5meter
DN50	42	120.7	4-16	55	195	95	82	55	1~3	0.5~1.5meter
DN65	44	139.7	4-16	64	217	114	97	69	1~3	0.5~1.5meter
DN80	44	152.4	4-16	73	232	126	113	81	1~3	0.5~1.5meter
DN100	50	190.5	8-16	88	270	154	139	108	1~3	0.5~1.5meter
DN125	56	215.9	8-20	102	292	180	163	135	1~3	0.5~1.5meter
DN150	56	241.3	8-20	115	318	206	195	154	1~3	0.5~1.5meter
DN200	60	298.5	8-20	145	390	264	250	205	1~3	0.5~1.5meter
DN250	68	362	12-24	184	457	320	305	255	1~3	0.5~1.5meter
DN300	78	431.8	12-24	207	518	370	352	302	1~3	0.5~1.5meter
DN350	78	476.3	12-27	247	610	430	405	345	1~3	0.5~1.5meter
DN400	102	539.8	16-27	275	650	480	455	395	1~3	0.5~1.5meter
DN450	114	577.9	16-30	307	713	550	515	450	1~3	0.5~1.5meter
DN500	127	635	20-30	330	768	590	565	500	1~3	0.5~1.5meter
DN600	151	749.3	20-33	400	919	695	674	585	1~3	0.5~1.5meter
DN700	163	863.6	28-33	520	1144	787	760	705	1~3	0.5~1.5meter
DN800	190	977.9	28-39	591	1263	905	878	810	1~3	0.5~1.5meter
DN900	203	1085.8	32-39	656	1376	970	955	885	1~3	0.5~1.5meter
DN1000	216	1200.2	36-39	722	1522	1107	1053	961	1~3	0.5~1.5meter

CLASS 150LBS PRESSURE RATING

**DIMENSIONS OF BUTTERFLY VALVE WITH LONG STEM IN RATING JIS5K**

Size	L	JIS standard (JIS5K)		H1	H2	D	D1	D2	K Stem Quantity	H3 Each Stem Height
		ΦA	N-M							
DN25	33	75	4-10	46	140	69	59	34	1~3	0.5~1.5meter
DN32	33	90	4-12	46	140	69	59	34	1~3	0.5~1.5meter
DN40	33	95	4-12	53	147	80	68	44	1~3	0.5~1.5meter
DN50	42	105	4-12	55	195	95	82	55	1~3	0.5~1.5meter
DN65	44	130	4-12	64	217	114	97	69	1~3	0.5~1.5meter
DN80	44	145	4-16	73	232	126	113	81	1~3	0.5~1.5meter
DN100	50	165	8-16	88	270	154	139	108	1~3	0.5~1.5meter
DN125	56	200	8-16	102	292	180	163	135	1~3	0.5~1.5meter
DN150	56	230	8-16	115	318	206	195	154	1~3	0.5~1.5meter
DN200	60	280	8-20	145	390	264	250	205	1~3	0.5~1.5meter
DN250	68	345	12-20	184	457	320	305	255	1~3	0.5~1.5meter
DN300	78	390	12-20	207	518	370	352	302	1~3	0.5~1.5meter
DN350	78	435	12-22	247	610	430	405	345	1~3	0.5~1.5meter
DN400	102	495	16-22	275	650	480	455	395	1~3	0.5~1.5meter
DN450	114	555	16-22	307	713	550	515	450	1~3	0.5~1.5meter
DN500	127	605	20-22	330	768	590	565	500	1~3	0.5~1.5meter
DN600	151	715	20-24	400	919	695	674	585	1~3	0.5~1.5meter
DN700	163	820	24-30	520	1144	787	760	705	1~3	0.5~1.5meter
DN800	190	930	24-30	591	1263	905	878	810	1~3	0.5~1.5meter
DN900	203	1030	24-30	656	1376	970	955	885	1~3	0.5~1.5meter
DN1000	216	1130	28-30	722	1522	1107	1053	961	1~3	0.5~1.5meter

JIS5K PRESSURE RATING

### PO8-WT Series: WAFER TYPE SOFT SEATED BUTTERFLY VALVE WITH LONG STEM

#### DIMENSIONS OF BUTTERFLY VALVE WITH LONG STEM IN RATING JIS10K

Size	L	JIS standard (JIS10K)		H	H1	D	D1	D2	K Stem Quantity	H2 Each Stem Height
		ΦA	N-M							
DN25	33	90	4-12	46	140	69	59	34	1~3	0.5~1.5meter
DN32	33	100	4-16	46	140	69	59	34	1~3	0.5~1.5meter
DN40	33	105	4-16	53	147	80	68	44	1~3	0.5~1.5meter
DN50	42	120	4-16	55	195	95	82	55	1~3	0.5~1.5meter
DN65	44	140	4-16	64	217	114	97	69	1~3	0.5~1.5meter
DN80	44	150	8-16	73	232	126	113	81	1~3	0.5~1.5meter
DN100	50	175	8-16	88	270	154	139	108	1~3	0.5~1.5meter
DN125	56	210	8-20	102	292	180	163	135	1~3	0.5~1.5meter
DN150	56	240	8-20	115	318	206	195	154	1~3	0.5~1.5meter
DN200	60	290	12-20	145	390	264	250	205	1~3	0.5~1.5meter
DN250	68	355	12-22	184	457	320	305	255	1~3	0.5~1.5meter
DN300	78	400	16-22	207	518	370	352	302	1~3	0.5~1.5meter
DN350	78	445	16-22	247	610	430	405	345	1~3	0.5~1.5meter
DN400	102	510	16-24	275	650	480	455	395	1~3	0.5~1.5meter
DN450	114	565	20-24	307	713	550	515	450	1~3	0.5~1.5meter
DN500	127	620	20-24	330	768	590	565	500	1~3	0.5~1.5meter
DN600	151	730	24-30	400	919	695	674	585	1~3	0.5~1.5meter
DN700	163	840	24-30	520	1144	787	760	705	1~3	0.5~1.5meter
DN800	190	950	28-30	591	1263	905	878	810	1~3	0.5~1.5meter
DN900	203	1050	28-30	656	1376	970	955	885	1~3	0.5~1.5meter
DN1000	216	1160	28-36	722	1522	1107	1053	961	1~3	0.5~1.5meter

JIS10K PRESSURE RATING

POV VALVE PO8-SERIES BUTTERFLY VALVE

# PO8-W SERIES: WAFER TYPE SOFT SEATED BUTTERFLY VALVE

## PO8-WH Series: HYDRAULIC BUTTERFLY VALVE

### DESCRIPTION

The wafer type butterfly valve can be installed with POH Hydraulic Actuator, power supplied by hydraulic oil pressure.

1. Hydraulic actuator with high accuracy, fast response, and can achieve high precision control
2. The transmission is stable and reliable, and the travel regulation is accurate
3. Low speed large torque transmission without speed reduction device

The hydraulic power oil can be supplied by client's hydraulic oil system, or by hydraulic manual operation deck, also the hydraulic actuator can be assembled with hydraulic oil tank, control system, servo motor to control the valve separately by hydraulic system.

For more hydraulic and control solutions, please consult with POV team.



### ORDERING CODE

**PO** 8 7 7   - 1       - W H -

Seal Material	
2	EPDM
3	NBR
4	PTFE
V	VITON
H	HYPALON
Q	SILICON RUBBER
P	POLYURETHANE
F	Others

Body Material	
2	Ductile Cast Iron
3	A216 WCB
A	A351 CF8 / SS304
B	A351 CF8M / SS316
C	A351 CF3M / SS316L
E	Duplex S.S. 2205
F	Others

Disc Material	
2	DI c/w Nickel Coated
3	A216 WCB
A	A351 CF8 / SS304
B	A351 CF8M / SS316
C	A351 CF3M / SS316L
D	Duplex S.S. 2507
E	Duplex S.S. 2205
G	Super S.S. 1.4529
K	B148 C95400
N	B148 C95800
H	Halar Coated
R	Rubber Coated
L	Nylon Coated
F	Others

Pressure Rating	
2	PN10
3	PN16
A	CLASS150LB
E	JIS 5K
F	JIS 10K

-       -

Actuation Type	
H	Hydraulic Actuator
M	Hydraulic Actuator c/w Manual Operation
E	Hydraulic Actuator c/w Servo Motor

Fail Position	
D	Fail Stay
O	Fail Open
C	Fail Close

Explosion-Proof Grade	
0	NA
2	EXd II CT5

-      

Accessory	
BLANK	NA
L	Limit Switch

Accessory	
BLANK	NA
S	Solenoid Valve

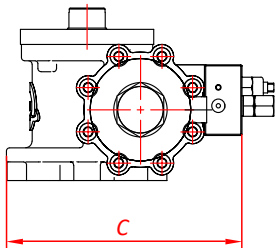
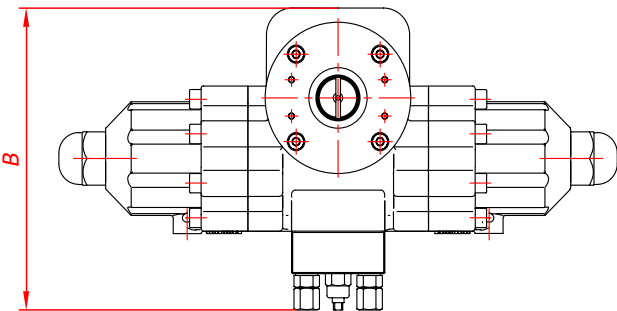
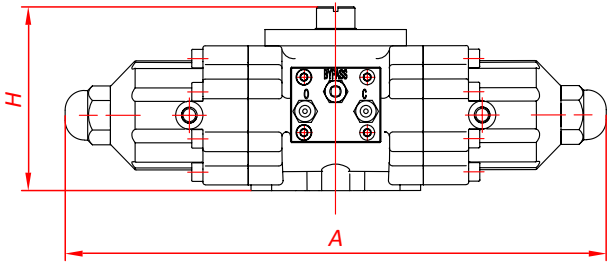
Accessory	
BLANK	NA
D	Declutchable Gear

Example: PO8772-12A2-WH-HC0-LS: Hydraulic Butterfly Valve, Ductile Cast Iron Body, SS304 Disc, EPDM Seat, PN10, with Hydraulic actuator, Single acting fail close, c/w Limit switch and Solenoid valve.

### PO8-WH Series: HYDRAULIC BUTTERFLY VALVE

#### HYDRAULIC ACTUATOR TYPES

#### HYDRAULIC DOUBLE ACTING POH-DA/ SINGLE ACTING ACTUATOR POH-SR



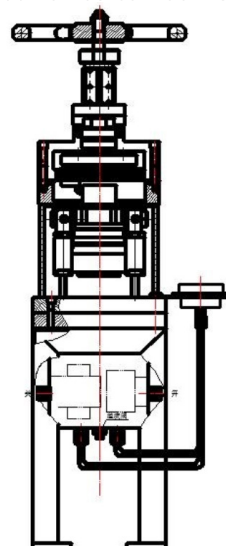
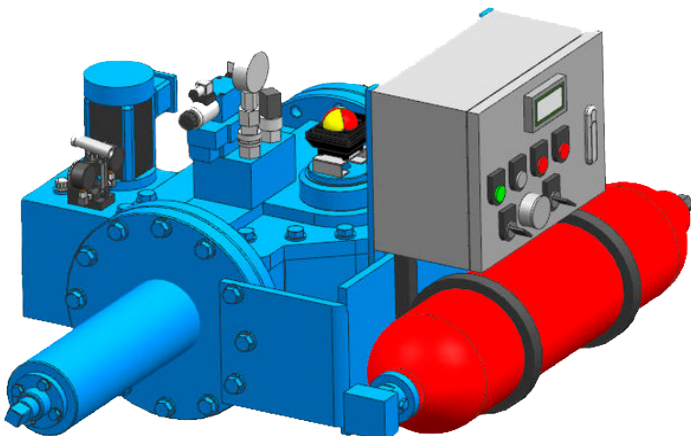
MODEL	A	B	C	H
POH-040	309	181	151	96
POH-050	336	208	178	123
POH-060	403	204	174	150
POH-070	468	255	225	168
POH-080	564	280	250	196
POH-100	620	315	285	216
POH-130	678	357	327	259
POH-150	818	419	389	299

#### HYDRAULIC ACTUATOR WITH SERVO MOTOR

Hydraulic Actuator Equipped With:  
Servo Motor, Accumulator, Oil Tank, PLC Control System, Hydraulic Manifold, Limit Switch and so on.

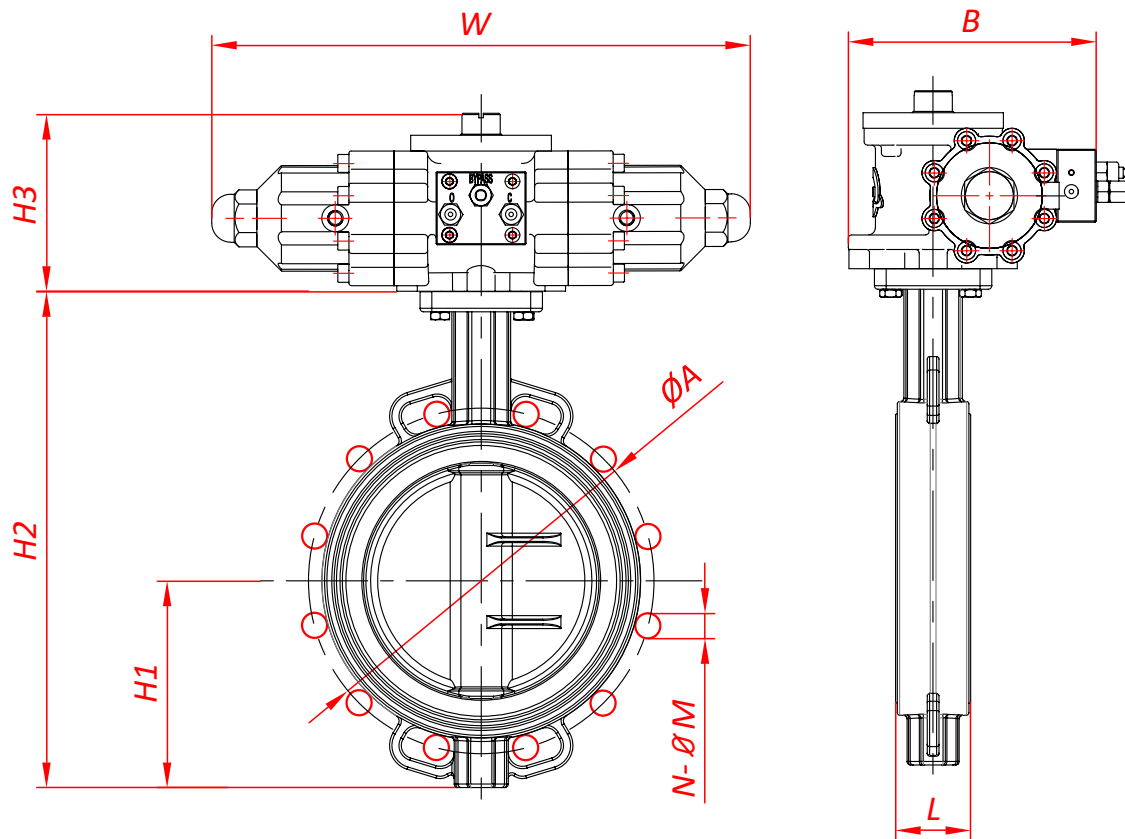
#### HYDRAULIC MANUAL OPERATION DECK

Hydraulic Manual Operation Deck is a device to start or stop hydraulic valve. This device can remote control many types of hydraulic valves according to users' requirements. The controlled valves can be installed in any location.



## PO8-WH Series: HYDRAULIC BUTTERFLY VALVE

### DIMENSIONS



### DIMENSIONS OF HYDRAULIC BUTTERFLY VALVE IN RATING PN10

PN10 PRESSURE RATING	Size	L	GB standard (PN10)		H	H1	POH-DA Double Acting				POH-SR Single Acting			
			ØA	N-M			W	B	H3	Model	W	B	H3	Model
	DN25	33	85	4-12	46	140	309	151	96	POH-040	309	151	96	POH-040
DN32	33	100	4-16	46	140	309	151	96	POH-040	309	151	96	POH-040	
DN40	33	110	4-16	53	147	309	151	96	POH-040	309	151	96	POH-040	
DN50	42	125	4-16	55	195	309	151	96	POH-040	309	151	96	POH-040	
DN65	44	145	4-16	64	217	309	151	96	POH-040	309	151	96	POH-040	
DN80	44	160	8-16	73	232	309	151	96	POH-040	309	151	96	POH-040	
DN100	50	180	8-16	88	270	309	151	96	POH-040	309	151	96	POH-040	
DN125	56	210	8-16	102	292	309	151	96	POH-040	336	178	123	POH-050	
DN150	56	240	8-20	115	318	309	151	96	POH-040	336	178	123	POH-050	
DN200	60	295	8-20	145	390	336	178	123	POH-050	403	174	150	POH-060	
DN250	68	350	12-20	184	457	403	174	150	POH-060	468	225	168	POH-070	
DN300	78	400	12-20	207	518	468	225	168	POH-070	564	250	196	POH-080	
DN350	78	460	16-20	247	610	468	225	168	POH-070	564	250	196	POH-080	
DN400	102	515	16-24	275	650	564	250	196	POH-080	620	285	216	POH-100	
DN450	114	565	20-24	307	713	564	250	196	POH-080	620	285	216	POH-100	
DN500	127	620	20-24	330	768	620	285	216	POH-100	678	327	259	POH-130	
DN600	151	725	20-27	400	919	620	285	216	POH-100	678	327	259	POH-130	
DN700	163	840	24-27	520	1144	678	327	259	POH-130	818	389	299	POH-150	
DN800	190	950	24-30	591	1263	678	327	259	POH-130	818	389	299	POH-150	
DN900	203	1050	28-30	656	1376	678	327	259	POH-130	818	389	299	POH-150	
DN1000	216	1160	28-33	722	1522	818	389	299	POH-150	-	-	-	-	

### PO8-WH Series: HYDRAULIC BUTTERFLY VALVE

#### DIMENSIONS OF HYDRAULIC BUTTERFLY VALVE IN RATING PN16

PN16 PRESSURE RATING	Size	L	GB standard (PN16)		H	H1	POH-DA Double Acting				POH-SR Single Acting			
			ΦA	N-M			W	B	H3	Model	W	B	H3	Model
	DN25	33	85	4-12	46	140	309	151	96	POH-040	309	151	96	POH-040
DN32	33	100	4-16	46	140	309	151	96	POH-040	309	151	96	POH-040	
DN40	33	110	4-16	53	147	309	151	96	POH-040	309	151	96	POH-040	
DN50	42	125	4-16	55	195	309	151	96	POH-040	309	151	96	POH-040	
DN65	44	145	4-16	64	217	309	151	96	POH-040	309	151	96	POH-040	
DN80	44	160	8-16	73	232	309	151	96	POH-040	309	151	96	POH-040	
DN100	50	180	8-16	88	270	309	151	96	POH-040	309	151	96	POH-040	
DN125	56	210	8-16	102	292	309	151	96	POH-040	336	178	123	POH-050	
DN150	56	240	8-20	115	318	309	151	96	POH-040	336	178	123	POH-050	
DN200	60	295	12-20	145	390	336	178	123	POH-050	403	174	150	POH-060	
DN250	68	355	12-24	184	457	403	174	150	POH-060	468	225	168	POH-070	
DN300	78	410	12-24	207	518	468	225	168	POH-070	564	250	196	POH-080	
DN350	78	470	16-24	247	610	468	225	168	POH-070	564	250	196	POH-080	
DN400	102	525	16-27	275	650	564	250	196	POH-080	620	285	216	POH-100	
DN450	114	585	20-27	307	713	564	250	196	POH-080	620	285	216	POH-100	
DN500	127	650	20-30	330	768	620	285	216	POH-100	678	327	259	POH-130	
DN600	151	770	20-33	400	919	620	285	216	POH-100	678	327	259	POH-130	
DN700	163	840	24-33	520	1144	678	327	259	POH-130	818	389	299	POH-150	
DN800	190	950	24-36	591	1263	678	327	259	POH-130	818	389	299	POH-150	
DN900	203	1050	28-36	656	1376	678	327	259	POH-130	818	389	299	POH-150	
DN1000	216	1170	28-39	722	1522	818	389	299	POH-150	-	-	-	-	

#### DIMENSIONS OF HYDRAULIC BUTTERFLY VALVE IN RATING CLASS 150LBS

CLASS 150LBS PRESSURE RATING	Size	L	ANSI standard (CLASS 150LBS)		H	H1	POH-DA Double Acting				POH-SR Single Acting			
			ΦA	N-M			W	B	H3	Model	W	B	H3	Model
	DN25	33	79.5	4-14	46	140	309	151	96	POH-040	309	151	96	POH-040
DN32	33	88.9	4-14	46	140	309	151	96	POH-040	309	151	96	POH-040	
DN40	33	98.5	4-14	53	147	309	151	96	POH-040	309	151	96	POH-040	
DN50	42	120.7	4-16	55	195	309	151	96	POH-040	309	151	96	POH-040	
DN65	44	139.7	4-16	64	217	309	151	96	POH-040	309	151	96	POH-040	
DN80	44	152.4	4-16	73	232	309	151	96	POH-040	309	151	96	POH-040	
DN100	50	190.5	8-16	88	270	309	151	96	POH-040	309	151	96	POH-040	
DN125	56	215.9	8-20	102	292	309	151	96	POH-040	336	178	123	POH-050	
DN150	56	241.3	8-20	115	318	309	151	96	POH-040	336	178	123	POH-050	
DN200	60	298.5	8-20	145	390	336	178	123	POH-050	403	174	150	POH-060	
DN250	68	362	12-24	184	457	403	174	150	POH-060	468	225	168	POH-070	
DN300	78	431.8	12-24	207	518	468	225	168	POH-070	564	250	196	POH-080	
DN350	78	476.3	12-27	247	610	468	225	168	POH-070	564	250	196	POH-080	
DN400	102	539.8	16-27	275	650	564	250	196	POH-080	620	285	216	POH-100	
DN450	114	577.9	16-30	307	713	564	250	196	POH-080	620	285	216	POH-100	
DN500	127	635	20-30	330	768	620	285	216	POH-100	678	327	259	POH-130	
DN600	151	749.3	20-33	400	919	620	285	216	POH-100	678	327	259	POH-130	
DN700	163	863.6	28-33	520	1144	678	327	259	POH-130	818	389	299	POH-150	
DN800	190	977.9	28-39	591	1263	678	327	259	POH-130	818	389	299	POH-150	
DN900	203	1085.8	32-39	656	1376	678	327	259	POH-130	818	389	299	POH-150	
DN1000	216	1200.2	36-39	722	1522	818	389	299	POH-150	-	-	-	-	

POV VALVE PO8-SERIES BUTTERFLY VALVE

### PO8-WH Series: HYDRAULIC BUTTERFLY VALVE

#### DIMENSIONS OF HYDRAULIC BUTTERFLY VALVE IN RATING JIS5K

JIS5K PRESSURE RATING	Size	L	JIS standard (JIS5K)		H	H1	POH-DA Double Acting				POH-SR Single Acting			
			ΦA	N-M			W	B	H3	Model	W	B	H3	Model
DN25	33	75	4-10	46	140	309	151	96	POH-040	309	151	96	POH-040	
DN32	33	90	4-12	46	140	309	151	96	POH-040	309	151	96	POH-040	
DN40	33	95	4-12	53	147	309	151	96	POH-040	309	151	96	POH-040	
DN50	42	105	4-12	55	195	309	151	96	POH-040	309	151	96	POH-040	
DN65	44	130	4-12	64	217	309	151	96	POH-040	309	151	96	POH-040	
DN80	44	145	4-16	73	232	309	151	96	POH-040	309	151	96	POH-040	
DN100	50	165	8-16	88	270	309	151	96	POH-040	309	151	96	POH-040	
DN125	56	200	8-16	102	292	309	151	96	POH-040	336	178	123	POH-050	
DN150	56	230	8-16	115	318	309	151	96	POH-040	336	178	123	POH-050	
DN200	60	280	8-20	145	390	336	178	123	POH-050	403	174	150	POH-060	
DN250	68	345	12-20	184	457	403	174	150	POH-060	468	225	168	POH-070	
DN300	78	390	12-20	207	518	468	225	168	POH-070	564	250	196	POH-080	
DN350	78	435	12-22	247	610	468	225	168	POH-070	564	250	196	POH-080	
DN400	102	495	16-22	275	650	564	250	196	POH-080	620	285	216	POH-100	
DN450	114	555	16-22	307	713	564	250	196	POH-080	620	285	216	POH-100	
DN500	127	605	20-22	330	768	620	285	216	POH-100	678	327	259	POH-130	
DN600	151	715	20-24	400	919	620	285	216	POH-100	678	327	259	POH-130	
DN700	163	820	24-30	520	1144	678	327	259	POH-130	818	389	299	POH-150	
DN800	190	930	24-30	591	1263	678	327	259	POH-130	818	389	299	POH-150	
DN900	203	1030	24-30	656	1376	678	327	259	POH-130	818	389	299	POH-150	
DN1000	216	1130	28-30	722	1522	818	389	299	POH-150	-	-	-	-	

#### DIMENSIONS OF HYDRAULIC BUTTERFLY VALVE IN RATING JIS10K

JIS10K PRESSURE RATING	Size	L	JIS standard (JIS10K)		H	H1	POH-DA Double Acting				POH-SR Single Acting			
			ΦA	N-M			W	B	H3	Model	W	B	H3	Model
DN25	33	90	4-12	46	140	309	151	96	POH-040	309	151	96	POH-040	
DN32	33	100	4-16	46	140	309	151	96	POH-040	309	151	96	POH-040	
DN40	33	105	4-16	53	147	309	151	96	POH-040	309	151	96	POH-040	
DN50	42	120	4-16	55	195	309	151	96	POH-040	309	151	96	POH-040	
DN65	44	140	4-16	64	217	309	151	96	POH-040	309	151	96	POH-040	
DN80	44	150	8-16	73	232	309	151	96	POH-040	309	151	96	POH-040	
DN100	50	175	8-16	88	270	309	151	96	POH-040	309	151	96	POH-040	
DN125	56	210	8-20	102	292	309	151	96	POH-040	336	178	123	POH-050	
DN150	56	240	8-20	115	318	309	151	96	POH-040	336	178	123	POH-050	
DN200	60	290	12-20	145	390	336	178	123	POH-050	403	174	150	POH-060	
DN250	68	355	12-22	184	457	403	174	150	POH-060	468	225	168	POH-070	
DN300	78	400	16-22	207	518	468	225	168	POH-070	564	250	196	POH-080	
DN350	78	445	16-22	247	610	468	225	168	POH-070	564	250	196	POH-080	
DN400	102	510	16-24	275	650	564	250	196	POH-080	620	285	216	POH-100	
DN450	114	565	20-24	307	713	564	250	196	POH-080	620	285	216	POH-100	
DN500	127	620	20-24	330	768	620	285	216	POH-100	678	327	259	POH-130	
DN600	151	730	24-30	400	919	620	285	216	POH-100	678	327	259	POH-130	
DN700	163	840	24-30	520	1144	678	327	259	POH-130	818	389	299	POH-150	
DN800	190	950	28-30	591	1263	678	327	259	POH-130	818	389	299	POH-150	
DN900	203	1050	28-30	656	1376	678	327	259	POH-130	818	389	299	POH-150	
DN1000	216	1160	28-36	722	1522	818	389	299	POH-150	-	-	-	-	

### PO8-W SERIES: WAFER TYPE SOFT SEATED BUTTERFLY VALVE

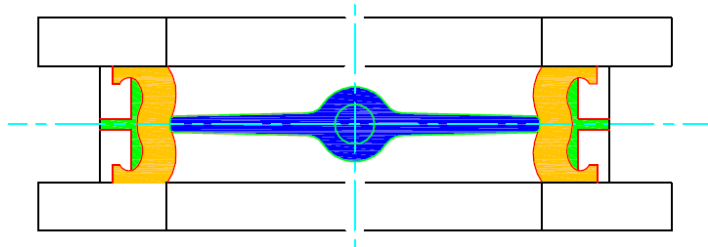
#### PO8-WF Series: PNEUMATIC INFLATABLE SEAT BUTTERFLY VALVE

##### DESCRIPTION

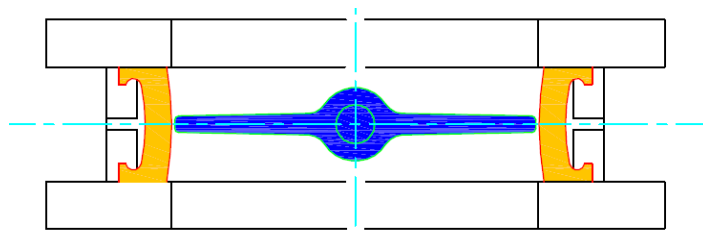
The POV-WF pneumatic inflatable seal butterfly valve is a valve that relies on compressed air to achieve tight sealing, and is suitable for handling dust, bulk materials, slurry, chemical powder, cement, quartz sand, fly ash, ceramics, carbon powder, dust, precious metal powder, etc.

##### WORKING PRINCIPLE

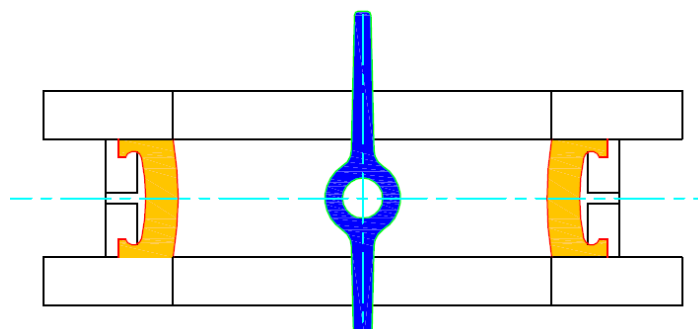
**A:** When the seat ring of the pneumatic inflatable butterfly valve is loose (non expansion), a fixed gap is formed between the seat ring and the valve disc.



**C:** Before the valve is opened, the seat ring shall be loosened in advance to form a fixed gap again.



**B:** When the compressed air enters the back of the seat ring, the surface of the seat ring will expand and cling to the surface of the valve disc to form an effective seal.



##### WHY CHOOSE POV PNEUMATIC INFLATABLE VALVE FOR PNEUMATIC CONVEYING

Because other valves need to be equipped with additional valves to cut off the material flow when they are used for feeding pressure vessels, so that the lower valve can be closed. If only one valve is used, the material will be blocked and cannot be sealed. A level gauge is usually installed in the container to detect the level to determine the closing time of the upstream valve. POV-WF Type Pneumatic inflatable butterfly valve can cut off dense material flow without upper cut-off valve. The full channel of the pneumatic expansion valve is unobstructed and the feeding is very continuous. This realizes the timely feeding of the pressure vessel, and the pressure vessel does not need a level gauge. Some pneumatic conveying equipment use double butterfly valves, butterfly valves (still metal sealed), sliding plate valves and other valves. In order to reduce wear and prolong service life, the switching frequency of the valve is usually limited to 10-15 times/hour. This requires that the corresponding sending tank has a large volume. If the conveying pipeline is not large and the sending tank is large, fluidization equipment and/or booster are necessary; Otherwise, the pipeline will be overloaded and pipe blockage will occur. When the pneumatic inflatable butterfly valve is opened and closed, a certain clearance is kept between the valve core and the sealing ring, which effectively reduces wear and improves the switching frequency of the valve.





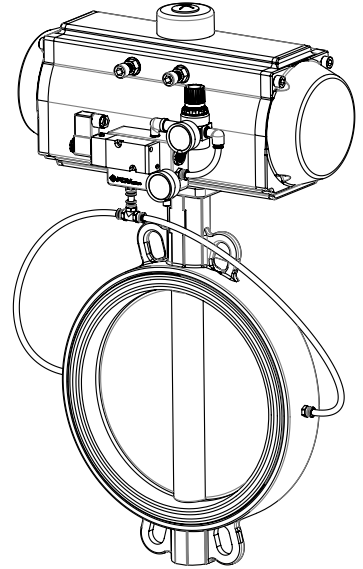
## PO8-WF

### PO8-WF Series: PNEUMATIC INFLATABLE SEAT BUTTERFLY VALVE

#### FEATURES

The POV-WF pneumatic inflatable seal butterfly valve has before performance features:

- A. The butterfly valve adopts the air flushing type seat ring. When the valve is opened and closed, there is no contact between the valve plate and the seat ring.
- B. The valve is driven by a pneumatic actuator, which is convenient and rapid to switch, simple in structure and easy to maintain.
- C. The valve disc is hemispherical, with small rotary resistance, small wear and long service life.
- D. Wear compensation: when the surface of the expansion seat ring is worn, the expansion effect of the seat ring can provide more compensation
- E. The expansion seat ring does not contact the valve disc during the closing and opening process, and only sticks to the valve disc surface after it is completely closed



#### ORDERING CODE

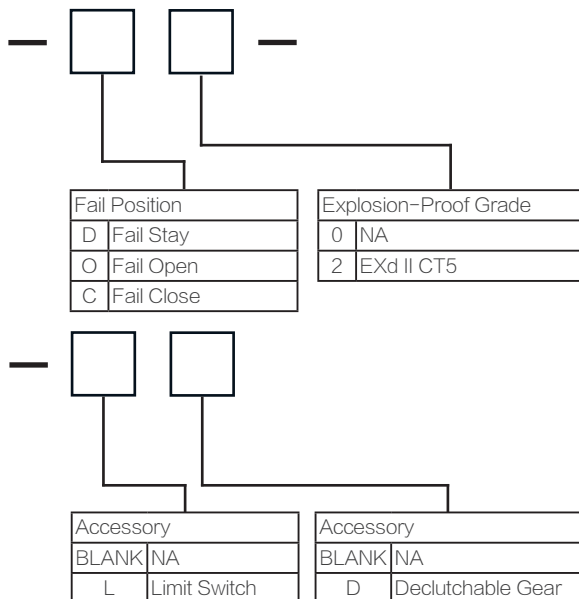
PO 8 6 7   - 1       - W H -

Seal Material	
2	EPDM
3	NBR
V	VITON
H	HYPALON
Q	SILICON RUBBER
F	Others

Body Material	
2	Ductile Cast Iron

Disc Material	
2	DI c/w Nickel Coated
3	A216 WCB
A	A351 CF8 / SS304
B	A351 CF8M / SS316
C	A351 CF3M / SS316L
D	Duplex S.S. 2507
E	Duplex S.S. 2205
G	Super S.S. 1.4529
K	B148 C95400
N	B148 C95800
H	Halar Coated
R	Rubber Coated
L	Nylon Coated
F	Others

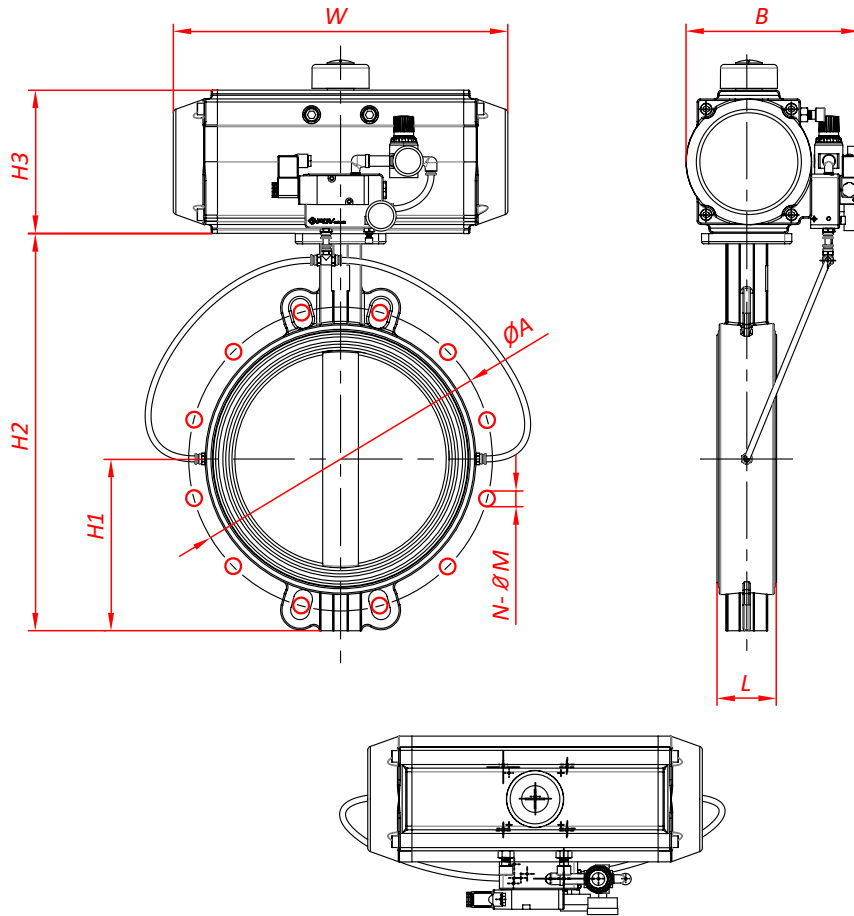
Pressure Rating	
2	PN10
3	PN16
A	CLASS150LB
E	JIS 5K
F	JIS 10K



Example: PO8672-12A2-WF-C0-L: Pneumatic Inflatable seat Butterfly Valve, Ductile Cast Iron Body, SS304 Disc, EPDM Seat, PN10, with Pneumatic actuator, Single acting fail close, c/w Limit switch.

### PO8-WF Series: PNEUMATIC INFLATABLE SEAT BUTTERFLY VALVE

#### DIMENSIONS



#### DIMENSIONS OF PNEUMATIC INFLATABLE SEAT BUTTERFLY VALVE IN RATING PN10

PN10 PRESSURE RATING	Size	L	GB standard (PN10)		H1	H2	H3	W	B	POADA Model	H3	W	B	POASR Model								
			ØA	N-M											DOUBLE ACTING TYPE				SINGLE ACTING TYPE			
	DN25	33	85	4-12	46	94	72	145	138	POADA-20	72	145	138	POASR-20K(B)								
	DN32	33	100	4-16	46	94	72	145	138	POADA-20	72	145	138	POASR-20K(B)								
	DN40	33	110	4-16	53	94	72	145	138	POADA-20	72	145	138	POASR-20K(B)								
	DN50	42	125	4-16	55	140	72	145	138	POADA-20	88	168	149	POASR-40K(B)								
	DN65	44	145	4-16	64	153	72	145	138	POADA-20	88	168	149	POASR-40K(B)								
	DN80	44	160	8-16	73	159	88	168	149	POADA-40	100	182	161	POASR-80K(B)								
	DN100	50	180	8-16	88	182	100	182	161	POADA-80	110	202	169	POASR-130K(B)								
	DN125	56	210	8-16	102	190	110	202	169	POADA-130	135	268	186	POASR-200K(B)								
	DN150	56	240	8-20	115	203	135	268	186	POADA-200	157	300	208	POASR-300K(B)								
	DN200	60	295	8-20	145	245	157	300	208	POADA-300	174	395	221	POASR-500K(B)								
	DN250	68	350	12-20	184	273	174	395	221	POADA-500	198	462	240	POASR-850K(B)								
	DN300	78	400	12-20	207	311	198	462	240	POADA-850	232	510	272	POASR-1200K(B)								
	DN350	78	460	16-20	247	363	232	510	272	POADA-1200	256	557	292	POASR-1750K(B)								
	DN400	102	515	16-24	275	375	256	557	292	POADA-1750	291	660	324	POASR-2100K(B)								
	DN450	114	565	20-24	307	406	291	660	324	POADA-2100	332	727	359	POASR-2500K(B)								
	DN500	127	620	20-24	330	438	332	727	359	POADA-2500	-	-	-	-								

### PO8-WF Series: PNEUMATIC INFLATABLE SEAT BUTTERFLY VALVE

#### DIMENSIONS OF PNEUMATIC INFLATABLE SEAT BUTTERFLY VALVE IN RATING PN16

PN16 PRESSURE RATING	Size	L	GB standard (PN16)		H1	H2	H3	W	B	POADA Model	H3	W	B	POASR Model								
			ΦA	N-M											DOUBLE ACTING TYPE				SINGLE ACTING TYPE			
DN25	33	85	4-12	46	94	72	145	138	POADA-20	72	145	138	POASR-20K(B)									
DN32	33	100	4-16	46	94	72	145	138	POADA-20	72	145	138	POASR-20K(B)									
DN40	33	110	4-16	53	94	72	145	138	POADA-20	72	145	138	POASR-20K(B)									
DN50	42	125	4-16	55	140	72	145	138	POADA-20	88	168	149	POASR-40K(B)									
DN65	44	145	4-16	64	153	72	145	138	POADA-20	88	168	149	POASR-40K(B)									
DN80	44	160	8-16	73	159	88	168	149	POADA-40	100	182	161	POASR-80K(B)									
DN100	50	180	8-16	88	182	100	182	161	POADA-80	110	202	169	POASR-130K(B)									
DN125	56	210	8-16	102	190	110	202	169	POADA-130	135	268	186	POASR-200K(B)									
DN150	56	240	8-20	115	203	135	268	186	POADA-200	157	300	208	POASR-300K(B)									
DN200	60	295	12-20	145	245	157	300	208	POADA-300	174	395	221	POASR-500K(B)									
DN250	68	355	12-24	184	273	174	395	221	POADA-500	198	462	240	POASR-850K(B)									
DN300	78	410	12-24	207	311	198	462	240	POADA-850	232	510	272	POASR-1200K(B)									
DN350	78	470	16-24	247	363	232	510	272	POADA-1200	256	557	292	POASR-1750K(B)									
DN400	102	525	16-27	275	375	256	557	292	POADA-1750	291	660	324	POASR-2100K(B)									
DN450	114	585	20-27	307	406	291	660	324	POADA-2100	332	727	359	POASR-2500K(B)									
DN500	127	650	20-30	330	438	332	727	359	POADA-2500	-	-	-	-									

#### DIMENSIONS OF PNEUMATIC INFLATABLE SEAT BUTTERFLY VALVE IN RATING CLASS150LBS

CLASS 150LBS PRESSURE RATING	Size	L	ANSI standard (CLASS 150LBS)		H1	H2	H3	W	B	POADA Model	H3	W	B	POASR Model								
			ΦA	N-M											DOUBLE ACTING TYPE				SINGLE ACTING TYPE			
DN25	33	79.5	4-14	46	94	72	145	138	POADA-20	72	145	138	POASR-20K(B)									
DN32	33	88.9	4-14	46	94	72	145	138	POADA-20	72	145	138	POASR-20K(B)									
DN40	33	98.5	4-14	53	94	72	145	138	POADA-20	72	145	138	POASR-20K(B)									
DN50	42	120.7	4-16	55	140	72	145	138	POADA-20	88	168	149	POASR-40K(B)									
DN65	44	139.7	4-16	64	153	72	145	138	POADA-20	88	168	149	POASR-40K(B)									
DN80	44	152.4	4-16	73	159	88	168	149	POADA-40	100	182	161	POASR-80K(B)									
DN100	50	190.5	8-16	88	182	100	182	161	POADA-80	110	202	169	POASR-130K(B)									
DN125	56	215.9	8-20	102	190	110	202	169	POADA-130	135	268	186	POASR-200K(B)									
DN150	56	241.3	8-20	115	203	135	268	186	POADA-200	157	300	208	POASR-300K(B)									
DN200	60	298.5	8-20	145	245	157	300	208	POADA-300	174	395	221	POASR-500K(B)									
DN250	68	362	12-24	184	273	174	395	221	POADA-500	198	462	240	POASR-850K(B)									
DN300	78	431.8	12-24	207	311	198	462	240	POADA-850	232	510	272	POASR-1200K(B)									
DN350	78	476.3	12-27	247	363	232	510	272	POADA-1200	256	557	292	POASR-1750K(B)									
DN400	102	539.8	16-27	275	375	256	557	292	POADA-1750	291	660	324	POASR-2100K(B)									
DN450	114	577.9	16-30	307	406	291	660	324	POADA-2100	332	727	359	POASR-2500K(B)									
DN500	127	635	20-30	330	438	332	727	359	POADA-2500	-	-	-	-									

### PO8-WF Series: PNEUMATIC INFLATABLE SEAT BUTTERFLY VALVE

#### DIMENSIONS OF PNEUMATIC INFLATABLE SEAT BUTTERFLY VALVE IN RATING JIS5K

JIS 5K PRESSURE RATING	Size	L	JIS standard (JIS 5K)		H1	H2	H3	W	B	POADA Model	H3	W	B	POASR Model								
			ΦA	N-M											DOUBLE ACTING TYPE				SINGLE ACTING TYPE			
DN25	33	75	4-10	46	94	72	145	138	POADA-20	72	145	138	POASR-20K(B)									
DN32	33	90	4-12	46	94	72	145	138	POADA-20	72	145	138	POASR-20K(B)									
DN40	33	95	4-12	53	94	72	145	138	POADA-20	72	145	138	POASR-20K(B)									
DN50	42	105	4-12	55	140	72	145	138	POADA-20	88	168	149	POASR-40K(B)									
DN65	44	130	4-12	64	153	72	145	138	POADA-20	88	168	149	POASR-40K(B)									
DN80	44	145	4-16	73	159	88	168	149	POADA-40	100	182	161	POASR-80K(B)									
DN100	50	165	8-16	88	182	100	182	161	POADA-80	110	202	169	POASR-130K(B)									
DN125	56	200	8-16	102	190	110	202	169	POADA-130	135	268	186	POASR-200K(B)									
DN150	56	230	8-16	115	203	135	268	186	POADA-200	157	300	208	POASR-300K(B)									
DN200	60	280	8-20	145	245	157	300	208	POADA-300	174	395	221	POASR-500K(B)									
DN250	68	345	12-20	184	273	174	395	221	POADA-500	198	462	240	POASR-850K(B)									
DN300	78	390	12-20	207	311	198	462	240	POADA-850	232	510	272	POASR-1200K(B)									
DN350	78	435	12-22	247	363	232	510	272	POADA-1200	256	557	292	POASR-1750K(B)									
DN400	102	495	16-22	275	375	256	557	292	POADA-1750	291	660	324	POASR-2100K(B)									
DN450	114	555	16-22	307	406	291	660	324	POADA-2100	332	727	359	POASR-2500K(B)									
DN500	127	605	20-22	330	438	332	727	359	POADA-2500	-	-	-	-									

#### DIMENSIONS OF PNEUMATIC INFLATABLE SEAT BUTTERFLY VALVE IN RATING JIS10K

JIS 10K PRESSURE RATING	Size	L	JIS standard (JIS 10K)		H1	H2	H3	W	B	POADA Model	H3	W	B	POASR Model								
			ΦA	N-M											DOUBLE ACTING TYPE				SINGLE ACTING TYPE			
DN25	33	90	4-12	46	94	72	145	138	POADA-20	72	145	138	POASR-20K(B)									
DN32	33	100	4-16	46	94	72	145	138	POADA-20	72	145	138	POASR-20K(B)									
DN40	33	105	4-16	53	94	72	145	138	POADA-20	72	145	138	POASR-20K(B)									
DN50	42	120	4-16	55	140	72	145	138	POADA-20	88	168	149	POASR-40K(B)									
DN65	44	140	4-16	64	153	72	145	138	POADA-20	88	168	149	POASR-40K(B)									
DN80	44	150	8-16	73	159	88	168	149	POADA-40	100	182	161	POASR-80K(B)									
DN100	50	175	8-16	88	182	100	182	161	POADA-80	110	202	169	POASR-130K(B)									
DN125	56	210	8-20	102	190	110	202	169	POADA-130	135	268	186	POASR-200K(B)									
DN150	56	240	8-20	115	203	135	268	186	POADA-200	157	300	208	POASR-300K(B)									
DN200	60	290	12-20	145	245	157	300	208	POADA-300	174	395	221	POASR-500K(B)									
DN250	68	355	12-22	184	273	174	395	221	POADA-500	198	462	240	POASR-850K(B)									
DN300	78	400	16-22	207	311	198	462	240	POADA-850	232	510	272	POASR-1200K(B)									
DN350	78	445	16-22	247	363	232	510	272	POADA-1200	256	557	292	POASR-1750K(B)									
DN400	102	510	16-24	275	375	256	557	292	POADA-1750	291	660	324	POASR-2100K(B)									
DN450	114	565	20-24	307	406	291	660	324	POADA-2100	332	727	359	POASR-2500K(B)									
DN500	127	620	20-24	330	438	332	727	359	POADA-2500	-	-	-	-									